

# WENDELIGHTING®

DIVISION OF JACKSEN INTERNATIONAL LTD

Wenlux® Model 928T  
Track Mount  
Optical Projector

Wendelighting's Wenlux® Model 928T lighting system provides the designer with a surface mounted optical light shaping projector that delivers a loosely conforming, soft-border illumination for fine art and furniture that can be installed and adjusted with ease.

The Wenlux projector combines an optical system of precision ground lenses and independent locking light mask shutters for a secure, field cuttable, exacting Sharp Focus Light Border. For a Soft Focus Border, Wendel's® optional Fade In® technology utilizes a diffusion system to easily create a four sided, loosely conforming light, shaped to the area of interest. Variable optics change light spread to highlight subjects of many sizes and distances.

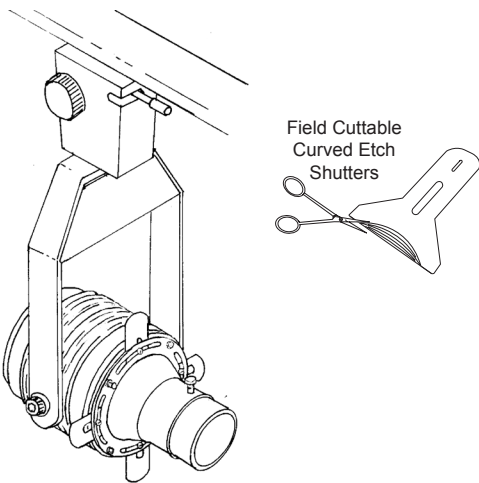
The Wenlux projector incorporates a bright energy-efficient light source, a convection cooling system and a sturdy fastening design that keeps it securely positioned to ensure optimal performance. For track systems, the adaptor can be modified at the factory to fit most tracks. For track, specify the track manufacturer.



Patent 9458991 B2 - Additional Patents Pending  
Wendelighting reserves the right to make changes without notice.

## STANDARD SPECIFICATIONS

- Applications:** Paintings, Sculptures, and Furnishings
- Power:** 120 VAC
- Transformer:** Electronic Low Voltage 120 VAC Input - 11.5 VAC Output
- Shutters:** Excess Field Cut
- Objective Lenses:** Three 76 FL Lenses
- Housing:** Aluminum
- Specify Color:** Nat Aluminum (AL) AL/Black, AL/White
- Mounting:** Track (Ceiling Mount)
- Relamping:** Does Not Change Focus
- Weight:** 2.8 lbs.
- Dimmer:** Electronic Low Voltage Dimmer Required
- Listing:** UL / CUL - Dry Location Track Mount
- Accessories:**
  - Light Mask Plate Gate for Non-Rectilinear Object
  - Narrow Beam Objective Cone for One 76 FL Lens
  - Standard MR16 1.9" Dia. UV or Color Filter by Others
  - Track Adapter (Contact Factory)
  - Fade In® Lens



## Lamp Options\*\* (As of Jan. 2018)

- Philips® 45 MRC16/IRC/NFL24° \*\*\*
- Ushio® JR12V-50W/NFL/FG/IR 25° \*\*\*
- Sylvania® 50MR16/IR/NFL25° \*\*\*
- Soraa® MR16 LED SM16-07-25D-930-03 \*\*\*\*

For CA Title 24 JA8-2016-E Residential Lighting Requirement  
Will not deliver foot candle levels shown below.  
Requires Fade In® Accessory \*

## DIAMETER OF SPOT AND FOOT CANDLES DATA (PHILIPS 45MR16 IR)

Distance to Object		1'		2'		3'		4'		5'		6'		7'		8'		9'		10'		Spread
Application	76 FL Objective Lens Quantity	Size of Spot	Foot Cand.	Size of Spot	Foot Cand.	Size of Spot	Foot Cand.	Size of Spot	Foot Cand.	Size of Spot	Foot Cand.	Size of Spot	Foot Cand.	Size of Spot	Foot Cand.	Size of Spot	Foot Cand.	Size of Spot	Foot Cand.	Size of Spot	Foot Cand.	Near Uniform Area
Narrow Beam*	1	3"	2300	6"	730	9"	360	13"	205	16"	130	19"	90	22"	65	26"	50	29"	38	32"	33	16°
Medium Beam	2	7"	1500	15"	490	22"	220	30"	125	38"	73	45"	53	53"	37	61"	29	69"	21	76"	19	36°
Wide Beam	3	9"	630	19"	260	30"	105	40"	58	50"	37	60"	24	70"	19	80"	15	90"	12	100"	10	46°
Very Wide Beam	4	13"	60	27"	195	41"	73	54"	43	69"	26	82"	18	95"	14	109"	11	123"	9	137"	7	60°

\*Accessory Required

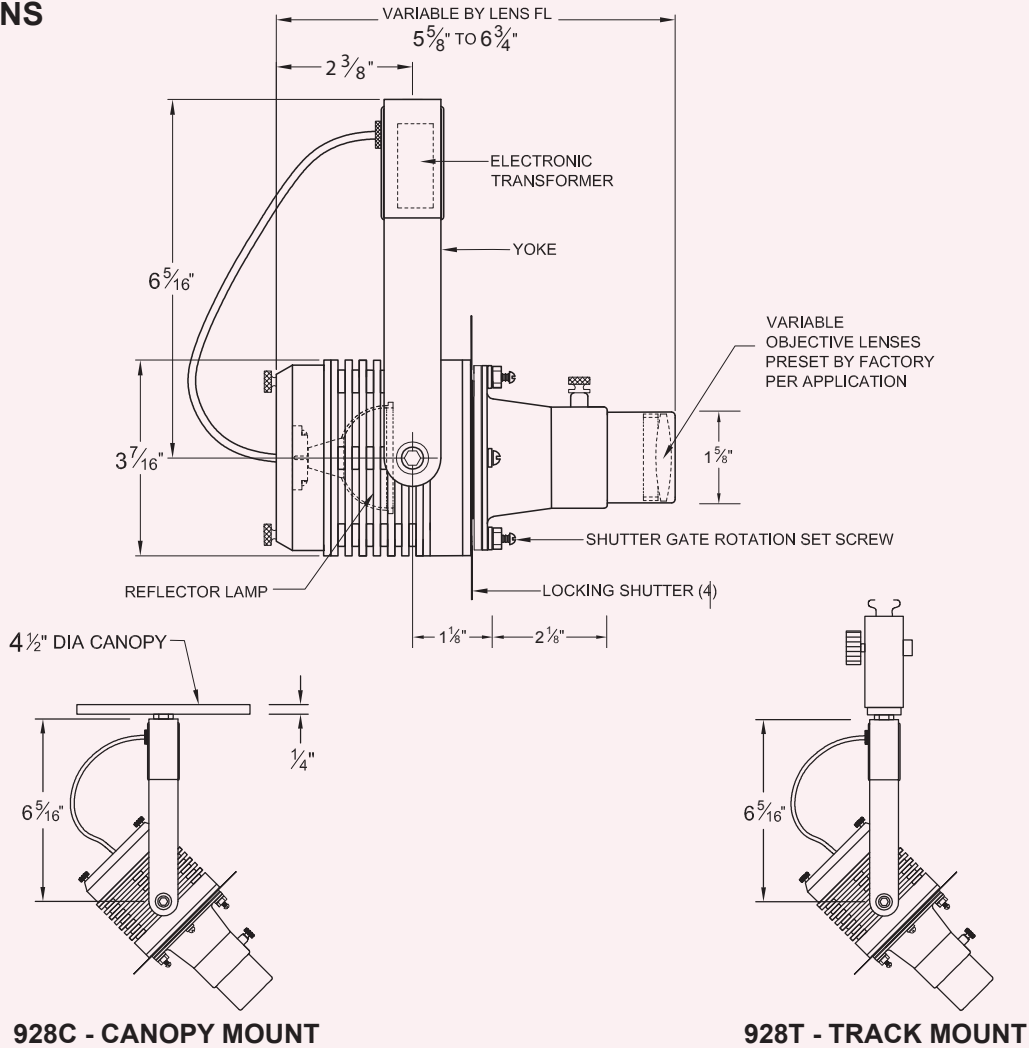
\*\*Lamp Options Subject to Availability

\*\*\*Not Compliant with CA Title 20

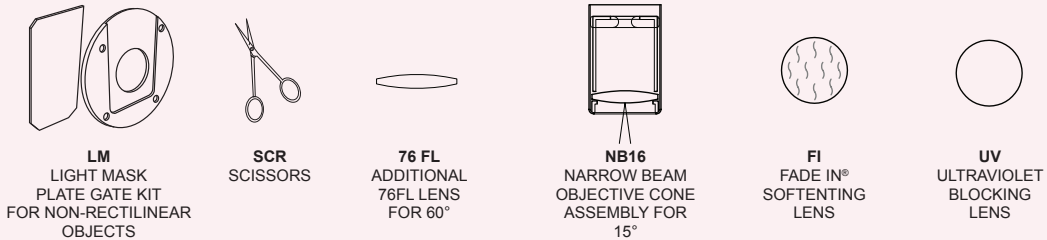
\*\*\*\*Limited to Lamps Manufactured Prior to 12/31/17  
See [wendelighting.com/resources](http://wendelighting.com/resources)

# Wenlux® Model 928T

## DIMENSIONS



## ACCESSORIES



PATENT 6,612,0761B2, ADDITIONAL PATENTS PENDING

### HOW TO SPECIFY

To specify, please visit [www.wendelighting.com/worksheets.htm](http://www.wendelighting.com/worksheets.htm), complete the appropriate projector worksheet and forward the completed worksheet to our staff members, [info@wendelighting.com](mailto:info@wendelighting.com).

The name Wendelighting is registered to Jacksen International Ltd., Monrovia, California. The name encompasses Wendel® and Wenlux® optical projectors as well as other types of Wendel/Wenlux lighting fixtures for both interior and exterior use.



# WENDELIGHTING®

DIVISION OF JACKSEN INTERNATIONAL LTD