

# WENDELIGHTING®

DIVISION OF JACKSEN INTERNATIONAL LTD

Wenlux® Model 928M  
Monopoint  
Optical Projector

Wendelighting's Wenlux® Model 928 lighting system provides the designer with a surface mounted optical light shaping projector that delivers a variety of illumination options for fine art and furnishings that can be installed and adjusted with ease.

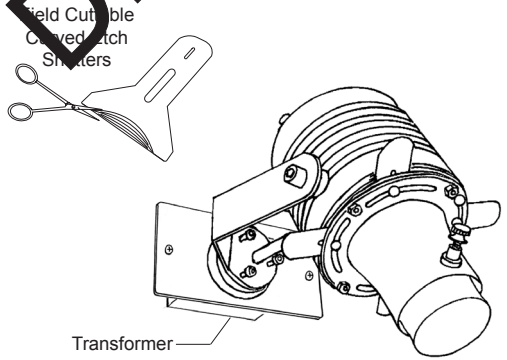
The Wenlux projector combines an optical system including precision ground lenses and independent locking light mask shutters for a secure, field cuttable, exacting Sharp Focus Light Border. For a Soft Focus Border, Wendel's® optional Fade In® technology utilizes a diffusion system, to easily create a four sided, loosely conforming light, shaped to the area of interest. Variable optics change light spread to highlight subjects of many sizes and distances.

The Wenlux projector incorporates a bright energy-efficient light source, convection cooling and a rigid fastening system securely positioned to ensure optimal performance. A 4" square deep junction box with specific adjustable mounting is provided (see page 2 for details).

Patent 9458991 B2  
Wendelighting reserves the right to make changes without notice.



DISCONTINUED



**Model 928M-REC**  
Canopy Shown

### STANDARD SPECIFICATIONS

- Applications:** Paintings, Sculptures, and Furnishings
- Power:** 120 VAC
- Transformer:** Electronic Low Voltage 120 VAC Input - 11.5 VAC Output
- Shutters:** Excess Field Cut
- Objective Lenses:** Three 76 FL Lenses
- Housing:** Aluminum
- Specify Color:** Nat Aluminum (AL) AL/Black, AL/White
- Mounting:** Square, Round, or Rectangular Monopoint (Beam, Ceiling, or Wall Mount)
- Relamping:** Does Not Change Focus
- Weight:** 2.5 lbs.
- Dimmer:** Electronic Low Voltage Dimmer Required
- Listing:** UL / CUL - Damp Location
- Accessories:**
  - Light Mask Plate Gate for Non-Rectilinear Object
  - Narrow Beam Objective Cone for One 76 FL Lens
  - Standard MR16 1.9" Dia. UV or Color Filter by Others
  - Fade In® Lens

### Lamp Options\*\*

(As of Aug. 2019)

- Philips® 45 MRC16/IRC/NFL24° \*\*\*
- Ushio® JR12V-50W/NFL/FG/IR 25° \*\*\*
- Sylvania® 50MR16/IR/NFL25° \*\*\*
- Ushio® 1004958 MR16 LED Retrofit

For CA Title 24 JA8-2016-E Residential Lighting Requirement  
Will not deliver foot candle levels shown below.  
Requires Fade In® Accessory \*

### DIAMETER OF SPOT AND FOOT CANDLES DATA (PHILIPS 45MR16 IR)

Distance to Object		1'		2'		3'		4'		5'		6'		7'		8'		9'		10'		Spread
Application	76 FL Objective Lens Quantity	Size of Spot	Foot Cand.	Size of Spot	Foot Cand.	Size of Spot	Foot Cand.	Size of Spot	Foot Cand.	Size of Spot	Foot Cand.	Size of Spot	Foot Cand.	Size of Spot	Foot Cand.	Size of Spot	Foot Cand.	Size of Spot	Foot Cand.	Size of Spot	Foot Cand.	Near Uniform Area
Narrow Beam*	1	3"	2300	6"	730	9"	360	13"	205	16"	130	19"	90	22"	65	26"	50	29"	38	32"	33	16°
Medium Beam	2	7"	1500	15"	490	22"	220	30"	125	38"	73	45"	53	53"	37	61"	29	69"	21	76"	19	36°
Wide Beam	3	9"	630	19"	260	30"	105	40"	58	50"	37	60"	24	70"	19	80"	15	90"	12	100"	10	46°
Very Wide Beam	4	13"	60	27"	195	41"	73	54"	43	69"	26	82"	18	95"	14	109"	11	123"	9	137"	7	60°

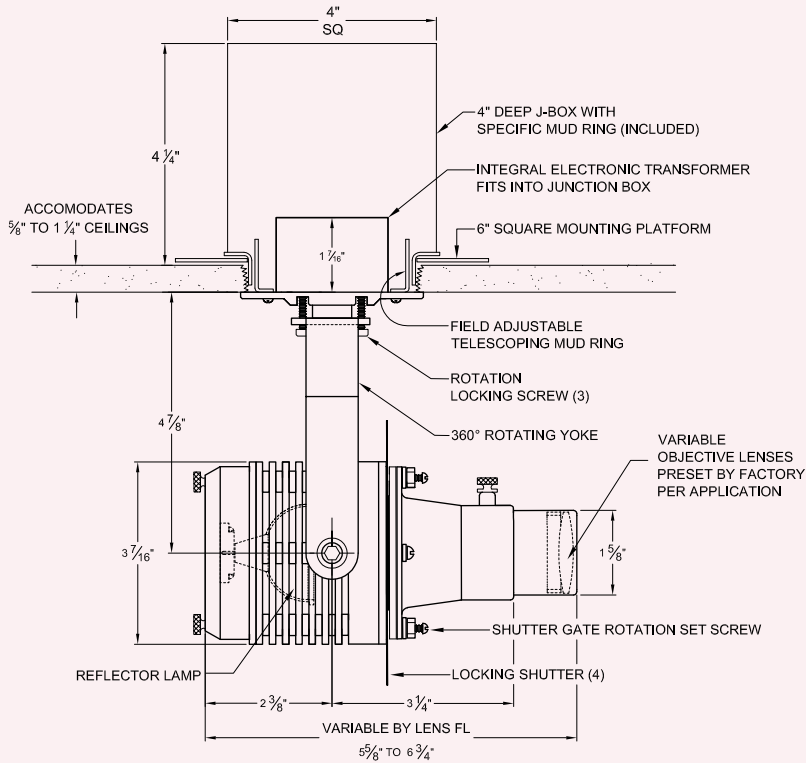
\*Accessory Required

\*\*Lamp Options Subject to Availability

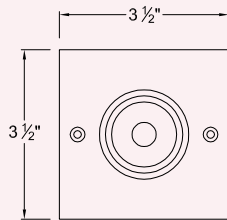
\*\*\*Not Compliant with CA Title 20  
See [wendelighting.com/resources](http://wendelighting.com/resources)

# Wenlux® Model 928M

## DIMENSIONS

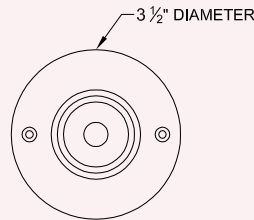


## SPECIFY CANOPY SHAPE



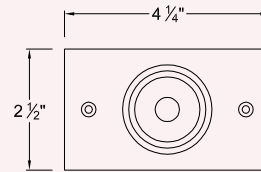
**SQ**  
**SQUARE**

FITS STANDARD 3" DIAMETER MUD RING OVER 4" SQUARE DEEP J-BOX



**RD**  
**ROUND**

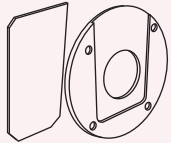
FITS STANDARD 3" DIAMETER MUD RING OVER 4" SQUARE DEEP J-BOX



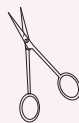
**REC**  
**RECTANGULAR**

FITS STANDARD 2-1/4" x 3-3/4" SINGLE DEVICE MUD RING OVER 4" SQUARE DEEP J-BOX

## ACCESSORIES



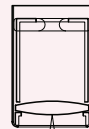
**LM**  
LIGHT MASK  
PLATE GATE KIT  
FOR NON-RECTILINEAR  
OBJECTS



**SCR**  
SCISSORS



**76 FL**  
ADDITIONAL  
76FL LENS  
FOR  
60°



**NB16**  
NARROW BEAM  
OBJECTIVE CONE  
ASSEMBLY FOR  
16°



**FI**  
FADE IN®  
SOFTENING LENS



**UV**  
ULTRAVIOLET  
BLOCKING  
LENS

PATENT 6,612,0761B2

## HOW TO SPECIFY

To specify, please visit [www.wendelighting.com/worksheets.htm](http://www.wendelighting.com/worksheets.htm), complete the appropriate projector worksheet and forward the completed worksheet to our staff members, [info@wendelighting.com](mailto:info@wendelighting.com).

The name Wendelighting is registered to Jacksen International Ltd., Monrovia, California. The name encompasses Wendel® and Wenlux® optical projectors as well as other types of Wendel/Wenlux lighting fixtures for both interior and exterior use.



# WENDELIGHTING®

DIVISION OF JACKSEN INTERNATIONAL LTD