

# WENDELIGHTING®

DIVISION OF JACKSEN INTERNATIONAL LTD

Wenlux® Model 928B  
Beam Mount  
Optical Projector

Wendelighting's Wenlux® Model 928B Beam Mount Projector provides the designer with a surface mounted optical light shaping system that delivers a loosely conforming, soft-border illumination for fine art and furniture that can be installed and adjusted with ease.

The Wenlux projector combines an optical system of precision ground lenses and independent locking light mask shutters for a secure, field cuttable, exacting Sharp Focus Light Border. For a Soft Focus Border, Wendel's® optional Fade In® technology utilizes a diffusion system to easily create a four sided, loosely conforming light, shaped to the area of interest. Variable optics change light spread to highlight subjects of many sizes and distances.

The Wenlux projector incorporates a bright, energy-efficient light source, a convection cooling system and a sturdy fastening design that keeps it securely positioned to ensure optimal performance. The back box can be fastened to the side of an exposed beam or directly to a wood or concrete ceiling and includes an integral transformer. For a back box without a transformer, specify remote transformers "RT." Both back boxes accept single lead Class 1 wiring.

Patent 9458991 B2  
Wendelighting reserves the right to make changes without notice.



**Model 928B**

### STANDARD SPECIFICATIONS

**Applications:** Paintings, Sculptures, and Furnishings  
**Power:** 120 VAC  
**Transformer:** Electronic Low Voltage 120 VAC Input - 11.5 VAC Output  
**Shutters:** Excess Field Cut  
**Objective Lenses:** Three 76 FL Lenses  
**Housing:** Aluminum and Stainless  
**Specify Color:** Nat Aluminum (AL) AL/Black, AL/White  
**Mounting:** Beam, Ceiling, or Wall Mount  
**Relamping:** Does Not Change Focus  
**Weight:** 3 lbs.  
**Dimmer:** Electronic Low Voltage Dimmer Required  
**Listing:** UL / CUL - Damp Location - No Feed Through  
**Accessories:** - Light Mask Plate Gate for Non-Rectilinear Object  
 - Narrow Beam Objective Cone for One 76 FL Lens  
 - Remote Transformer Power Supplies  
 - Standard MR16 1.9" Dia. UV or Color Filter by Others  
 - Fade In® Lens

**Lamp Options\*\***  
(As of Aug. 2019)

Philips® 45 MRC16/IRC/NFL24° \*\*\*  
 Ushio® JR12V-50W/NFL/FG/IR 25° \*\*\*  
 Sylvania® 50MR16/IR/NFL25° \*\*\*  
 Ushio® 1004958 MR16 LED Retrofit

For CA Title 24 JA8-2016-E Residential Lighting Requirement  
 Will not deliver foot candle levels shown below.  
 Requires Fade In® Accessory \*

### DIAMETER OF SPOT AND FOOT CANDLES DATA (PHILIPS 45MR16 IR)

Distance to Object		1'		2'		3'		4'		5'		6'		7'		8'		9'		10'		Spread
Application	76 FL Objective Lens Quantity	Size of Spot	Foot Cand.	Size of Spot	Foot Cand.	Size of Spot	Foot Cand.	Size of Spot	Foot Cand.	Size of Spot	Foot Cand.	Size of Spot	Foot Cand.	Size of Spot	Foot Cand.	Size of Spot	Foot Cand.	Size of Spot	Foot Cand.	Size of Spot	Foot Cand.	Near Uniform Area
Narrow Beam*	1	3"	2300	6"	730	9"	360	13"	205	16"	130	19"	90	22"	65	26"	50	29"	38	32"	33	16"
Medium Beam	2	7"	1500	15"	490	22"	220	30"	125	38"	73	45"	53	53"	37	61"	29	69"	21	76"	19	36"
Wide Beam	3	9"	630	19"	260	30"	105	40"	58	50"	37	60"	24	70"	19	80"	15	90"	12	100"	10	46"
Very Wide Beam	4	13"	60	27"	195	41"	73	54"	43	69"	26	82"	18	95"	14	109"	11	123"	9	137"	7	60"

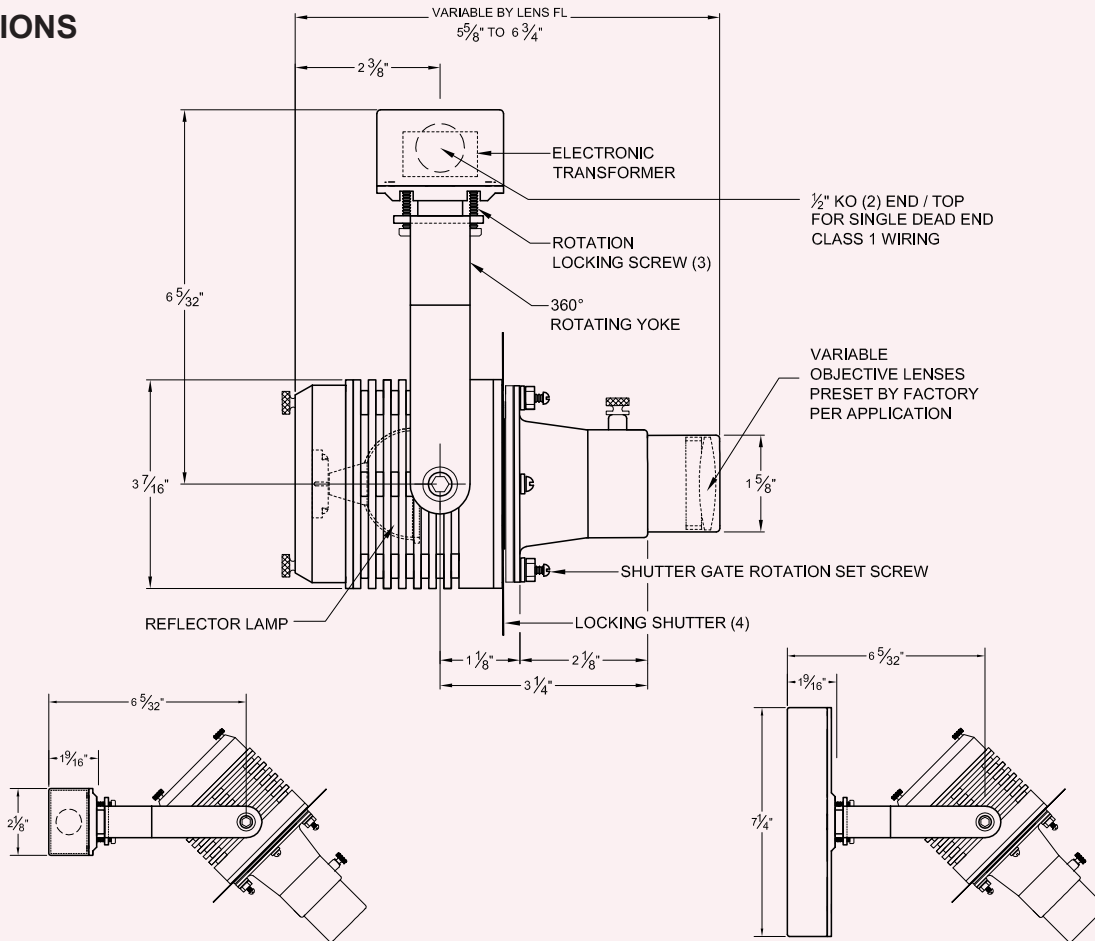
\*Accessory Required

\*\*Lamp Options Subject to Availability

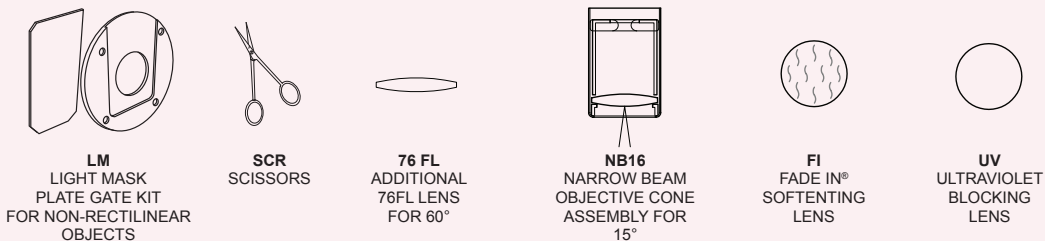
\*\*\*Not Compliant with CA Title 20  
See [wendelighting.com/resources](http://wendelighting.com/resources)

# Wenlux® Model 928B

## DIMENSIONS



## ACCESSORIES



PATENT 6,612,0761B2

## REMOTE TRANSFORMER POWER SUPPLIES

### PS60 - 120V Input / 11.7V Output

Electronic Low Voltage Power Supply  
For One Beam Mount Luminaire  
6 1/2" L x 1 11/16" W x 1 7/16" D  
(Note: 6' Max Wire Length)

### PS300 - 120V Input / 12V Output

Magnetic Low Voltage Power Supply  
For Five Beam Mount Luminaire / Dead End Feeds  
6 3/4" L x 5" W x 4 3/4" D

## HOW TO SPECIFY

To specify, please visit [www.wendelighting.com/worksheets.htm](http://www.wendelighting.com/worksheets.htm), complete the appropriate projector worksheet and forward the completed worksheet to our staff members, [info@wendelighting.com](mailto:info@wendelighting.com).

The name Wendelighting is registered to Jacksen International Ltd., Monrovia, California. The name encompasses Wendel® and Wenlux® optical projectors as well as other types of Wendel/Wenlux lighting fixtures for both interior and exterior use.



# WENDELIGHTING®

DIVISION OF JACKSEN INTERNATIONAL LTD