

# WENDELIGHTING®

DIVISION OF JACKSEN INTERNATIONAL LTD

Wenlux® Model 717M  
Monopoint  
Accent Light

The Wenlux® Model 717 Accent Light provides the designer with a surface mounted luminaire for highlighting fine art and furniture that can be installed and adjusted with ease. Final adjustment light control is far beyond what the MR16 light source can achieve on its own.

Wenlux 717 accepts a wide range of energy efficient MR16 IR lamps with beam spreads that are further altered by a series of light control accessories. Lenses are positioned within a rotational lens holder cone with virtually no limit to the quantity of accessory lenses. Our unique Fade In® 0° Softening Lens is optional and a Narrow Beam Holder Cone is available to choke stray light for an incredibly tight illumination.

Wenlux includes a sturdy fastening design and convection cooling system that allows for air intake and escape, cooling the lamp and lamp holder chamber for optimal performance. A 4" square deep junction box with specific mud ring is required (see page 2 for details).



Wendelighting reserves the right to make changes without notice.

**Model 717M-REC**  
Canopy Shown

**STANDARD SPECIFICATIONS**

**Applications:** Accent Illumination  
**Power:** 120 VAC  
**Transformer:** Electronic Low Voltage 120 VAC Input - 11.5 VAC Output  
**Lens:** 14° Softening Lens  
**Housing:** Aluminum  
**Specify Color:** Natural Aluminum (AL) AL/Black, AL/White  
**Mounting:** Square, Round, or Rectangular Monopoint (Beam, Ceiling, or Wall Mount)  
**Relamping:** Does Not Change Focus  
**Weight:** 2.0 lbs.  
**Dimmer:** Electronic Low Voltage Dimmer Required  
**Listing:** UL / CUL - Damp Location  
**Accessories:** - See Light Control Accessories Below  
 - Standard MR16 1.9" Dia. UV or Color Filter by Others

**Lamp Options**  
(As of Jan. 2018)

Philips® IR - Sylvania® IR - Ushio® IR (50 Watt MR16 IR MAX) \*  
 Sora® MR16 LED Lamp marked JA8-2016-E \*\*  
For CA Title 24 JA8-2016-E Residential Lighting Requirement

---

**LIGHT CONTROL ACCESSORIES**

Degrees shown are approximate based on a 10° NSP lamp. Results may vary substantially using wider beam spread lamps.

4° Reducing Choke  
Narrow Beam Holder Cone

Fade In®  
0°  
Softening Lens

Standard  
14°  
Softening Lens

28°  
Softening Lens

0° x 48°  
Rectilinear Lens

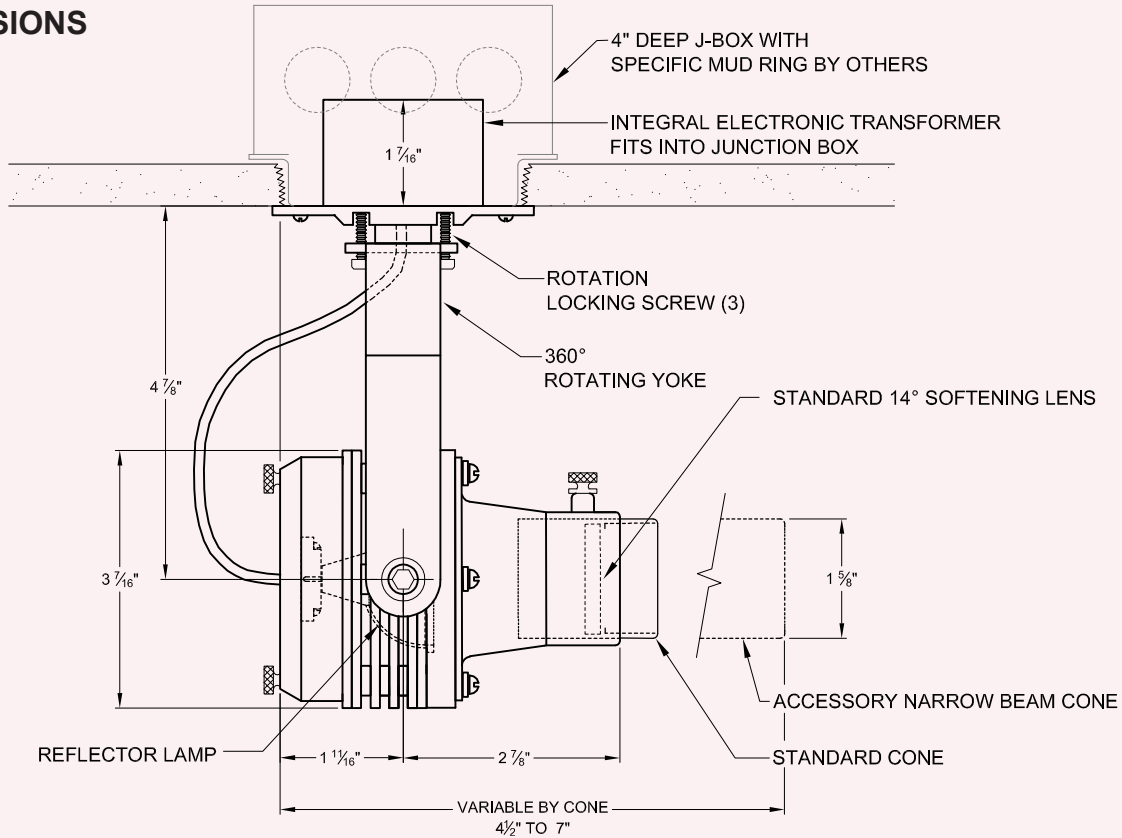
Hexcel Louver  
Black

\*Not Compliant with CA Title 20

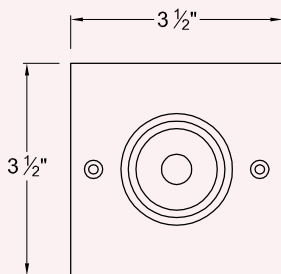
\*\*Limited to Lamps Manufactured Prior to 12/31/17  
See [wendelighting.com/resources](http://wendelighting.com/resources)

# Wenlux® Model 717M

## DIMENSIONS

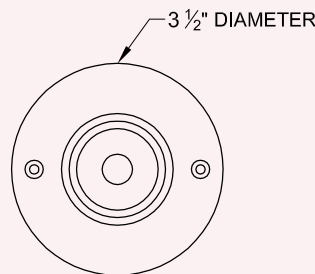


## SPECIFY CANOPY SHAPE



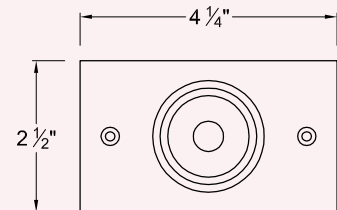
**SQ**  
**SQUARE**

FITS STANDARD 3" DIAMETER MUD RING  
OVER 4" SQUARE DEEP J-BOX



**RD**  
**ROUND**

FITS STANDARD 3" DIAMETER MUD RING  
OVER 4" SQUARE DEEP J-BOX



**REC**  
**RECTANGULAR**

FITS STANDARD 2-1/4" x 3-3/4" SINGLE DEVICE  
MUD RING OVER 4" SQUARE DEEP J-BOX

## HOW TO SPECIFY

To specify, please visit [www.wendelighting.com/worksheets.htm](http://www.wendelighting.com/worksheets.htm), complete the appropriate projector worksheet and forward the completed worksheet to our staff members, [info@wendelighting.com](mailto:info@wendelighting.com).

The name Wendelighting is registered to Jacksen International Ltd., Monrovia, California. The name encompasses Wendel® and Wenlux® optical projectors as well as other types of Wendel/Wenlux lighting fixtures for both interior and exterior use.



# WENDELIGHTING®

DIVISION OF JACKSEN INTERNATIONAL LTD