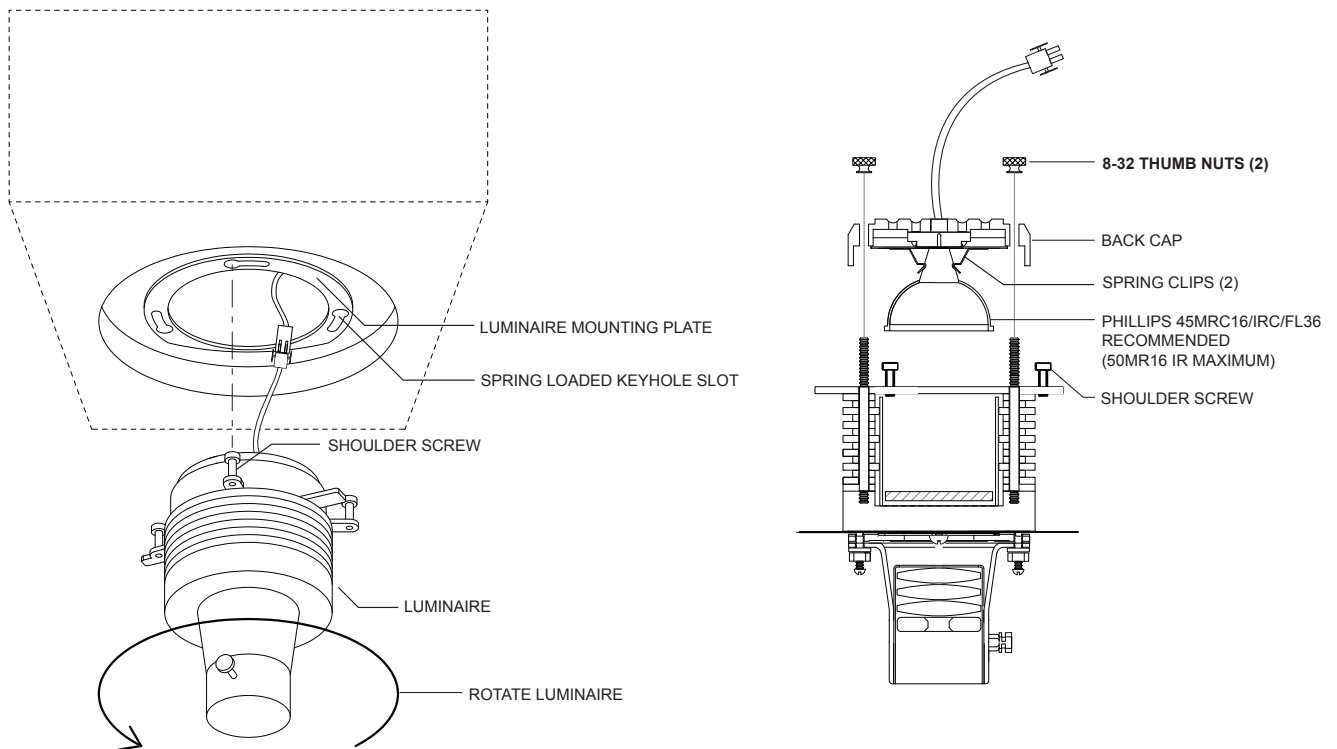


WENDEL® LIGHTING
RELAMPING INSTRUCTIONS FOR
WENLUX® 415P FRAMING PROJECTOR
OR WENLUX® 415A ACCENT LIGHT



- DISCONNECT POWER
- ROTATE LUMINAIRE COUNTER-CLOCKWISE TO DISENGAGE LUMINAIRE FROM SPRING LOADED KEYHOLE SLOTS
- REMOVE THUMB NUTS FROM LUMINAIRE AND REMOVE BACK CAP
- GENTLY REMOVE LAMP FROM CAP BY PULLING FREE FROM SPRING CLIPS
- GENTLY CLIP REPLACEMENT LAMP INTO CAP AND RESECURE LUMINAIRE BACK CAP TO LUMINAIRE BODY BY RETURNING AND TIGHTENING THUMB NUTS
- RE-ENGAGE LUMINAIRE INTO SPRING LOADED KEYHOLE SLOTS AND ROTATE LUMINAIRE CLOCKWISE INTO LOCKED POSITION