

WENDELIGHTING®

DIVISION OF JACKSEN INTERNATIONAL LTD

Wenlux® RET- 415PL
Recessed Optical Projector
LED Retrofit

The Wenlux® RET- 415PL Recessed LED Framing Projector is designed for retrofit into an existing Wenlux 415HIC Recessed Housing without re-wiring. Dimmer replacement and or dimmer re-programming may be required. The existing Wenlux 415HIC Recessed Housing provides the Retrofit LED Framing Projector with rotational adjustment using existing lockable fastening systems. The existing Ceiling Trim is re-usable and not included in the retrofit kit.

The existing 415HIC Recessed Housing includes a field removable 12 Volt transformer connected electrically by disconnects. The field removed 12 Volt Transformer is replaced by a provided LED Driver electrically connected to the same disconnects.

The inseparable LM2 (2 wire) Lighting Modules include the LED Driver, LED Chip, proprietary optics and dual heat sink technology delivering optimum LED cooling. Lighting Modules are assembled with the Projector (Adapter Cone) to which variable beam spread Objective Lens Focus Tubes are positioned within to highlight subject of many sizes and distances.

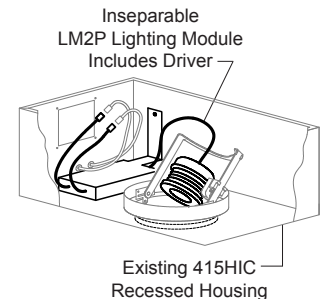
A white high color rendering LED light was discriminately selected to enhance fine art. A shaped light mask framed to art accentuates focus. Precision ground lenses focus upon independently locking light masking shutters for a securely shaped Focused Light Border "FB" (standard). For our patent pending Fade In® Light Border specify "FI."

Patents: 9458991 B2 and 6,612,0761 B2 - Additional Patents Pending
Wendelighting reserves the right to make changes without notice.



LM2P LIGHTING MODULE SPECIFICATIONS (CA T24-JA8)

Power:	120/277 VAC Input - 20 Watts
Driver:	(LM2P) Philips Xitanium 120 VAC Input - 500mA Output - 2 Wire Forward / Reverse Phase - Dimmable 2%
LED:	LM with 2790 Chip and Primary Optics to be JA8 Tested - 1300 Lumens - 67 Lumens/Watt (All LED Chip Options pending JA8 Allowance)
Optics:	Proprietary
Luminaire:	Aluminum
Dimmer:	2 Wire Forward / Reverse Phase
Mounting:	Adjustable Locking Crossmember to Yoke
Rotation:	0° - 45° Vertical Tilt / 361° Horizontal Rotation
Listings:	- Pending UL / CUL - Retrofit - Damp Location - Thermal Foldback Protection - Pending California Title 24 Residential Lighting JA8 Recessed Tested Listing (See wendelighting.com/resources)



RECESSED OPTICAL PROJECTOR OPTIONS

RET	415PL	LM				
Retrofits Existing Recessed 415HIC Recessed Housing to a LED Recessed Housing	Adapter Cone: Optical Framing Projector	Lighting Module: (By Driver Type) LM2P (Standard) Philips Xitanium 2 Wire Driver Forward / Reverse Phase Dimmable 2% 120V In 500mA Out LM Pending Listing with CA Title 24 JA8 LM2L Lutron Hi-lume LTEA Tu-Wire Driver Forward Phase Dimmable 1% 120V In 500mA Out LM Not Listed with CA Title 24 JA8	LED Chip** Options (Chip Values): 2798 2700K 98 CRI 1400 Lumens R9 93 3098 (Standard Chip) 3000K 98 CRI 1500 Lumens R9 88 2790 2700K 90 CRI 1600 Lumens R9 54 3090 3000K 90 CRI 1700 Lumens R9 60	Objective Lens Focus Tube (Beam Spread): 12° 25° 45° 60° 90°	Light Border: FB (Standard) Focused Light Border FI Fade in® Light Border	Light Control Accessories: SH Extra Shutter (1) MK Light Mask Kit SC Scissors UV Ultraviolet Blocking Lens 1F 100 Kelvin Warming Filter 39mm Diameter
Color Filter Options: Additional 39mm Diameter Dichroic Color Filters Available Through Rosco						

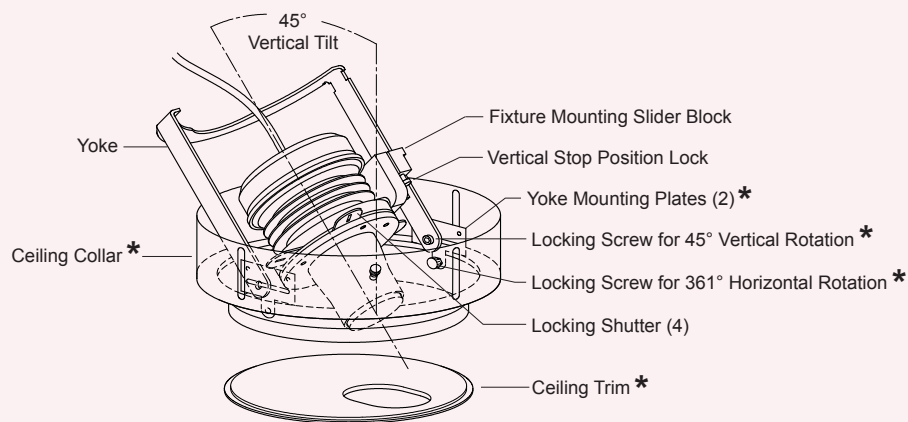
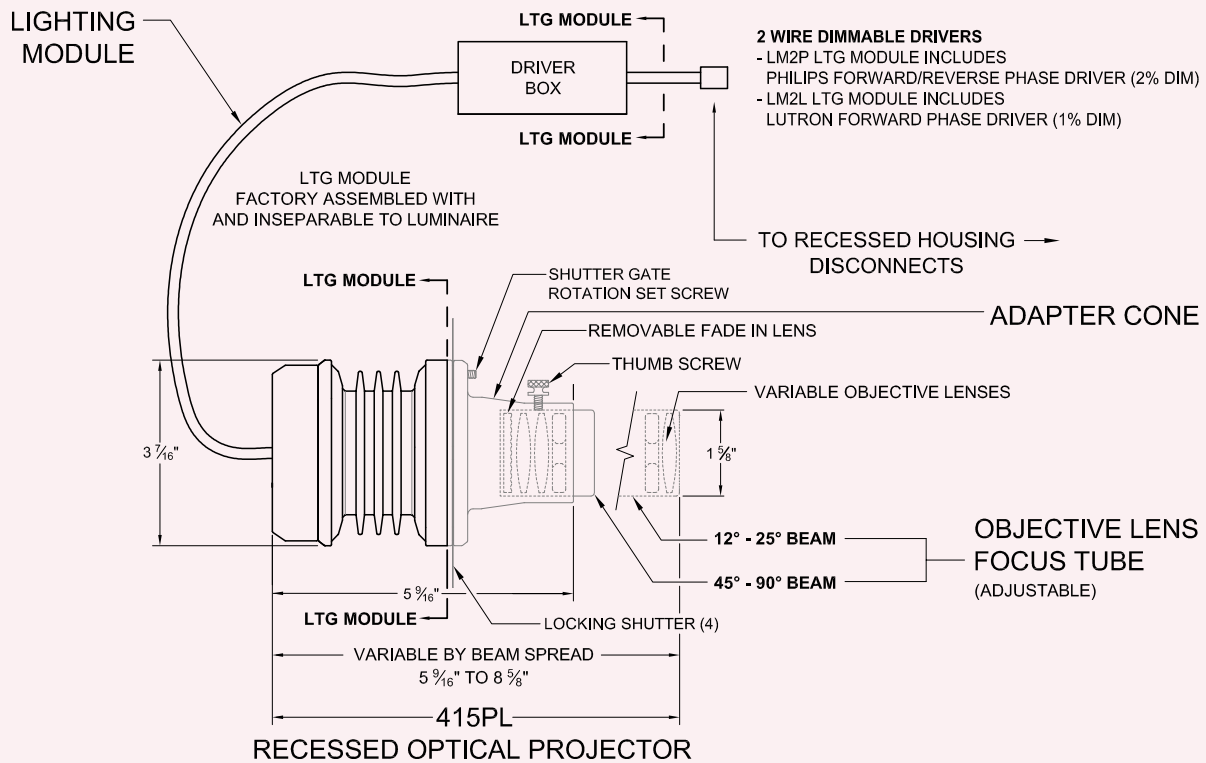
Philips and Xitanium are Trademarks of Signify

Lutron, Hi-lume, Tu-Wire, and EcoSystem are Trademarks of Lutron Electronics Co., Inc.

WENDELIGHTING / DIVISION OF JACKSEN INTERNATIONAL LTD. - P.O. BOX 337 - 363 BELL STREET - LOS ALAMOS, CALIFORNIA 93440
(800) 528-0101 Fax (626) 303-0046 www.wendelighting.com e-mail: info@wendelighting.com

Copyright © 2018 Jacksen International, Ltd. All rights reserved

Wenlux® RET- 415PL Recessed Optical Projector LED Retrofit



* Items Found in Existing 415HIC Housing and not Included in Retrofit Kit

LIGHT CONTROL ACCESSORIES



HOW TO SPECIFY

To specify, please visit www.wendelighting.com/art-light-worksheets/ complete the appropriate Art Lighting Worksheet and forward the completed worksheet to our staff members at info@wendelighting.com.



The name Wendelighting is a registered trademark to Jacksen International Ltd., Monrovia, California. The name encompasses Wendel® and Wenlux® optical projectors as well as other types of Wendel/Wenlux lighting fixtures for both interior and exterior use.

WENDELIGHTING®

DIVISION OF JACKSEN INTERNATIONAL LTD

Copyright © 2018 Jacksen International, Ltd. All rights reserved

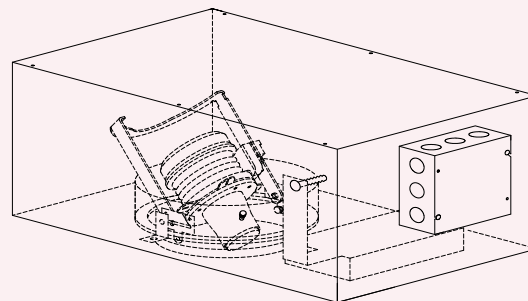
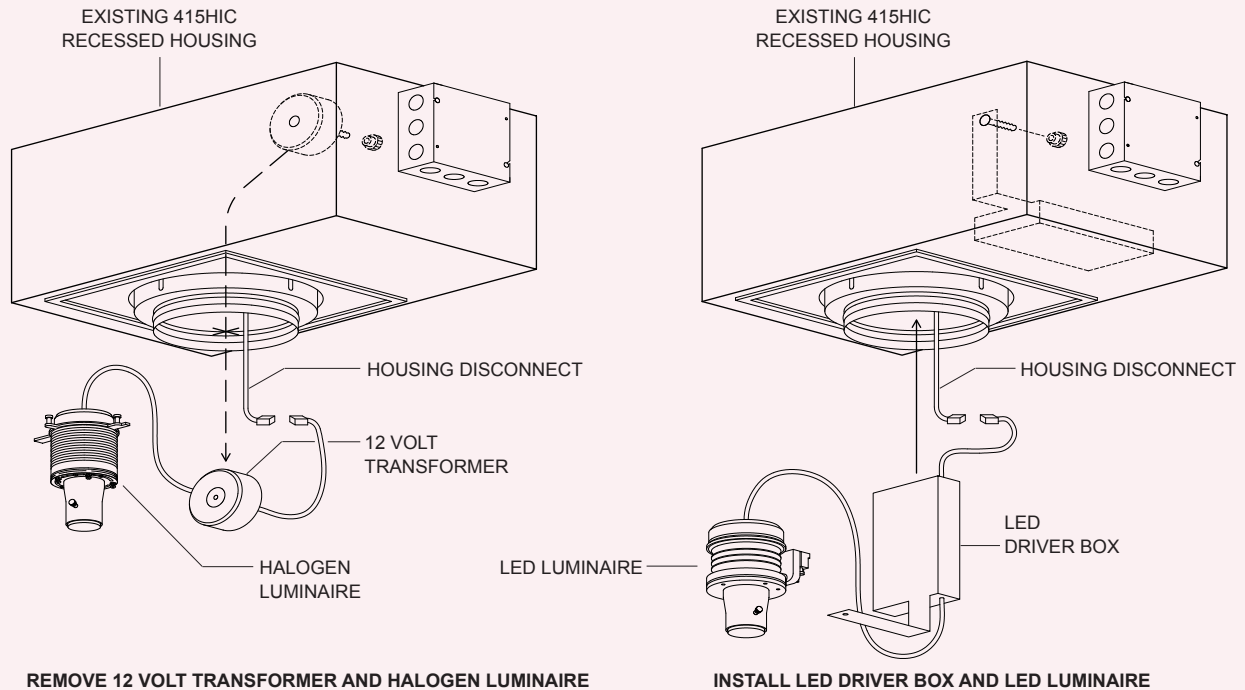
Wenlux® RET- 415PL Recessed Optical Projector LED Retrofit

415HIC - RECESSED HOUSING LED RETROFIT

INSULATION CONTACT / AIR TIGHT

ATTIC AND BUILDING ENVELOPE INSTALLATION

MINIMUM R38 INSULATION SURROUNDING AND COVERING RECESSED HOUSING REQUIRED FOR LED ASSEMBLY LIFE



RECESSED LED RETROFIT

- THE LED RETROFIT IS DESIGNED FOR USE WITH AN EXISTING WENLUX 415HIC RECESSED HOUSING
- THE LED RETROFIT DOES NOT REQUIRE CEILING DAMAGE
- THE LED RETROFIT WORKS WITH EXISTING WIRING
- EXISTING DIMMER MIGHT NEED TO BE REPLACED AND OR DIMMER MODULE RE-PROGRAMMING MAY BE REQUIRED DEPENDING ON THE DIMMING CONTROLS USED

HOW TO SPECIFY

To specify, please visit www.wendelighting.com/art-light-worksheets/ complete the appropriate Art Lighting Worksheet and forward the completed worksheet to our staff members at info@wendelighting.com.



The name Wendelighting is a registered trademark to Jacksen International Ltd., Monrovia, California. The name encompasses Wendel® and Wenlux® optical projectors as well as other types of Wendel/Wenlux lighting fixtures for both interior and exterior use.

WENDELIGHTING®

DIVISION OF JACKSEN INTERNATIONAL LTD

Copyright © 2018 Jacksen International, Ltd. All rights reserved