

The Wenlux® RET- 415AL Recessed LED Accent Light is designed for retrofit into an existing Wenlux 415HIC Recessed Housing without re-wiring. Dimmer replacement and or dimmer re-programming may be required. The existing Wenlux 415HIC Recessed Housing provides the Retrofit LED Accent Light with rotational adjustment using existing lockable fastening systems. The existing Ceiling Trim is re-usable and not included in the retrofit kit.

The existing 415HIC Recessed Housing includes a field removable 12 Volt transformer connected electrically by disconnects. The field removed 12 Volt Transformer is replaced by a provided LED Driver electrically connected to the same disconnects.

The inseparable LM2 (2 wire) Lighting Modules include the LED Driver, LED Chip, proprietary optics and dual heat sink technology delivering optimum LED cooling. Lighting Modules are assembled with the Accent Light (Adapter Cone) to which a series of Lens Holder Tubes with spherical lenses are positioned within to optically control variable beam spreads. The Luminaire's beam spreads can be further altered using a series of Light Control Accessories. A white high color rendering LED light was discriminately selected to enhance fine art.

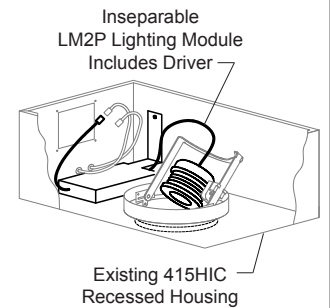
Patent 6,612,0761B2

Wendelighting reserves the right to make changes without notice.



## LM2P LIGHTING MODULE SPECIFICATIONS (CA T24-JA8)

- Power:** 120/277 VAC Input - 20 Watts
- Driver/LED:** LM2P with 2790 Chip and Primary Optics JA8 Tested - 1300 Lumens @ 500mA (for tested life) - 67 Lumens/Watt (Estimated 1200 Lumens @ 450mA) JA8 Allowance on all LED Chip Options
- Optics:** Proprietary
- Luminaire:** Aluminum
- Dimmer:** 2 Wire Forward / Reverse Phase
- Mounting:** Adjustable Locking Crossmember to Yoke
- Rotation:** 0° - 45° Vertical Tilt / 361° Horizontal Rotation
- Listings:** - UL / CUL - Retrofit - Damp Location - Thermal Foldback Protection  
- California Title 24 Residential Lighting JA8 Recessed Tested Listing (See [wendelighting.com/resources](http://wendelighting.com/resources))



## RECESSED ACCENT LIGHT OPTIONS

RET	415AL	LM	LED Chip Options (Chip Values) (@ 450mA:)	Optical Lens Holder Tube (Spread):	Light Control Accessories:
Retrofits Existing Recessed 415HIC Recessed Housing to a LED Recessed Housing	Adapter Cone:  Accent Light	Lighting Module: (By Driver Type)  <b>LM2P</b> (Standard) Philips Xitanium 2 Wire Driver Forward / Reverse Phase Dimmable 2% Use ELV Dimming 120/277V In 450mA Out Listed with CA Title 24 JA8  <b>LM2L</b> Lutron Hi-Lume LTEA Tu-Wire Driver Forward Phase Dimmable 1% 120V In 450mA Out Use C-L Dimming or LTE Led Setting LM Not Listed with CA Title 24 JA8	<b>2798</b> 2700K 98 CRI 1400 Lumens R9 93  <b>3098</b> (Standard Chip) 3000K 98 CRI 1500 Lumens R9 88  <b>2790</b> 2700K 90 CRI 1600 Lumens R9 54  <b>3090</b> 3000K 90 CRI 1700 Lumens R9 60	<b>NBS</b> 14° - 28°  <b>MBS</b> 30° - 40°  <b>WBS</b> 50°  <b>VWB</b> 63°	<b>FI</b> Fade In® 0° Softening Lens  <b>SF</b> 14° Soft Focus Lens  <b>SL</b> 28° Spread Lens  <b>RL</b> 0° x 48° Rectilinear Lens  <b>HL</b> Hexcell Louver  <b>1F</b> 100 Kelvin Warming Filter 39mm Diameter
<b>Color Filter Options:</b> Additional 39mm Diameter Dichroic Color Filters Available Through Rosco					

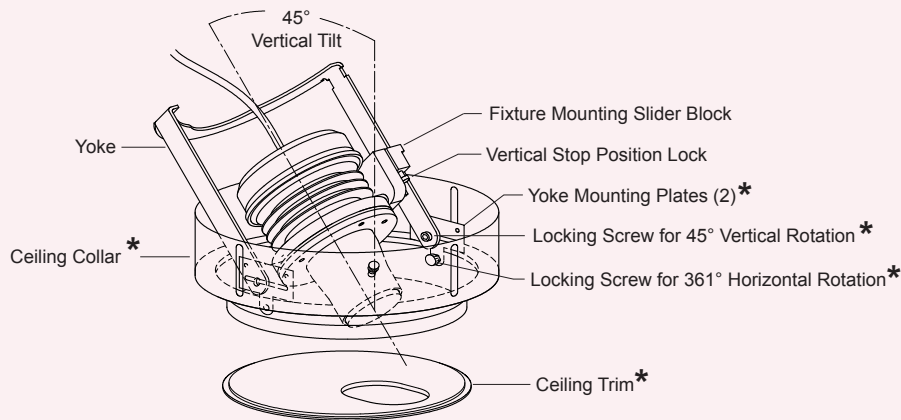
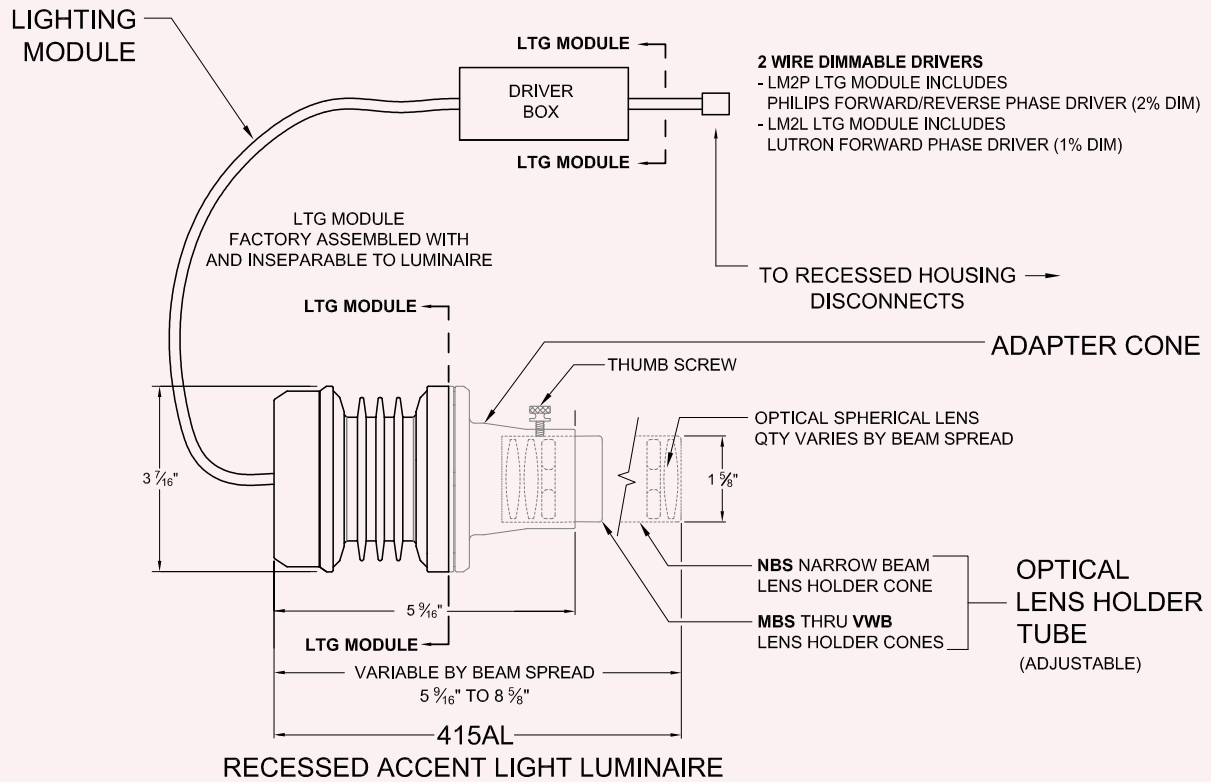
Philips and Xitanium are Trademarks of Signify

Lutron, Hi-Lume, Tu-Wire, and EcoSystem are Trademarks of Lutron Electronics Co., Inc.

WENDELIGHTING / DIVISION OF JACKSEN INTERNATIONAL LTD. - P.O. BOX 337 - 363 BELL STREET - LOS ALAMOS, CALIFORNIA 93440  
(800) 528-0101 Fax (626) 303-0046 [www.wendelighting.com](http://www.wendelighting.com) e-mail: [info@wendelighting.com](mailto:info@wendelighting.com)

Copyright © 2018 Jacksen International, Ltd. All rights reserved

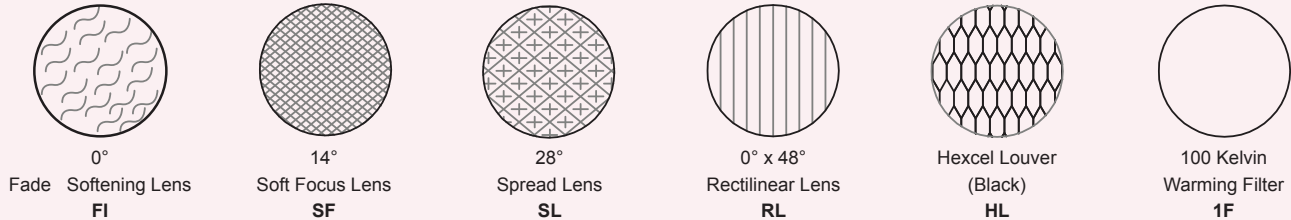
# Wenlux® RET-415AL Recessed Accent Light LED Retrofit



\*Items Found in Existing 415HIC Housing and not Included in Retrofit Kit

## LIGHT CONTROL ACCESSORIES

Degrees shown are approximate on a NBS Cone. Results may vary substantially using wider MBS thru VWB beam spread Cones.



### HOW TO SPECIFY

To specify, please visit [www.wendelighting.com/art-light-worksheets/](http://www.wendelighting.com/art-light-worksheets/) complete the appropriate Art Lighting Worksheet and forward the completed worksheet to our staff members at [info@wendelighting.com](mailto:info@wendelighting.com).



The name Wendelighting is a registered trademark to Jacksen International Ltd., Monrovia, California. The name encompasses Wendel® and Wenlux® optical projectors as well as other types of Wendel/Wenlux lighting fixtures for both interior and exterior use.

WENDELIGHTING®

DIVISION OF JACKSEN INTERNATIONAL LTD

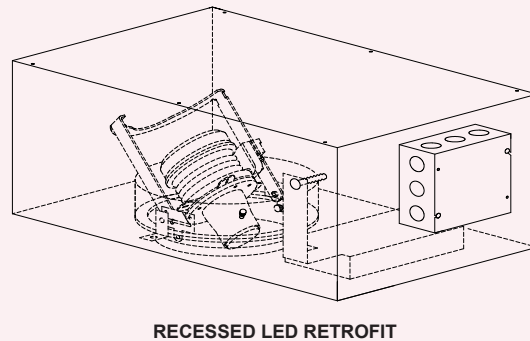
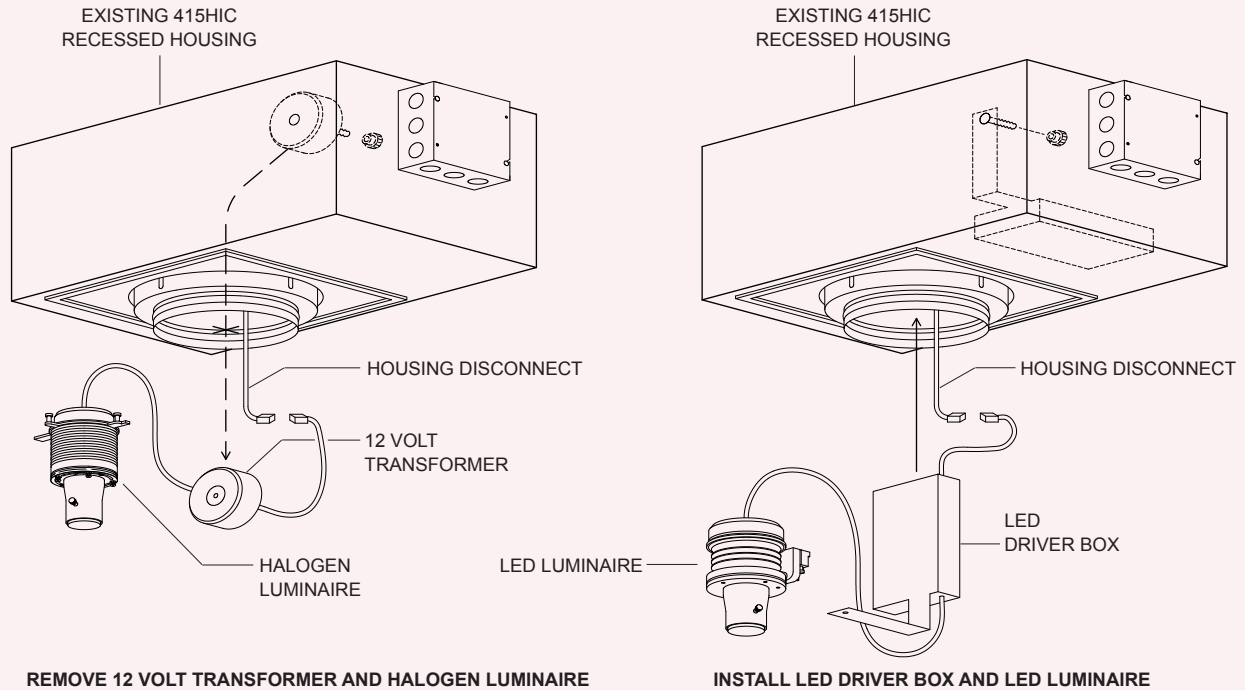
Copyright © 2018 Jacksen International, Ltd. All rights reserved

**415HIC - RECESSED HOUSING LED RETROFIT**

INSULATION CONTACT / AIR TIGHT

ATTIC AND BUILDING ENVELOPE INSTALLATION

MINIMUM R38 INSULATION SURROUNDING AND COVERING RECESSED HOUSING REQUIRED FOR LED ASSEMBLY LIFE



- THE LED RETROFIT IS DESIGNED FOR USE WITH AN EXISTING WENLUX 415HIC RECESSED HOUSING
- THE LED RETROFIT DOES NOT REQUIRE CEILING DAMAGE
- THE LED RETROFIT WORKS WITH EXISTING WIRING
- EXISTING DIMMER MIGHT NEED TO BE REPLACED AND OR DIMMER MODULE RE-PROGRAMMING MAY BE REQUIRED DEPENDING ON THE DIMMING CONTROLS USED

**HOW TO SPECIFY**

To specify, please visit [www.wendelighting.com/art-light-worksheets/](http://www.wendelighting.com/art-light-worksheets/) complete the appropriate Art Lighting Worksheet and forward the completed worksheet to our staff members at [info@wendelighting.com](mailto:info@wendelighting.com).



The name Wendelighting is a registered trademark to Jacksen International Ltd., Monrovia, California. The name encompasses Wendel® and Wenlux® optical projectors as well as other types of Wendel/Wenlux lighting fixtures for both interior and exterior use.

WENDELIGHTING®

DIVISION OF JACKSEN INTERNATIONAL LTD