

# WENDELIGHTING®

DIVISION OF JACKSEN INTERNATIONAL LTD

Wenlux® 928BL  
Beam Mount Optical Projector  
LED

The Wenlux® 928BL is a Surface framing Projector with a Beam Mounting system. A white high color rendering LED light was discriminately selected to enhance art. A shaped light mask framed to art accentuates focus. Precision ground lenses focus upon independently locking light masking shutters for a securely shaped Focused Light Border "FB" (standard). For our patent pending Fade In® Light Border specify "FI."

The Wenlux LM2 (2 wire) and LM4 (4 wire) Lighting Modules are inseparable. The LM Lighting Modules include the driver, LED Chip, proprietary optics and cooling system. Lighting Modules accept the Projector (Adapter Cone) to which variable beam spread Objective Lens Focus Tubes are positioned within to highlight subject of many sizes and distances.

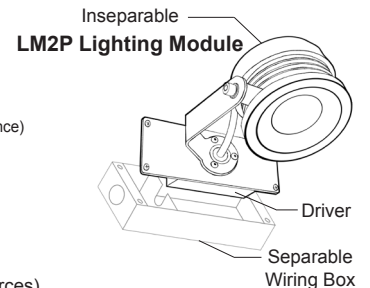
928BL provides rotational adjustment using lockable fastening systems. A dual heat sink technology provides optimum LED cooling. A separable beam mount wiring box is provided to house the LED Driver. The wiring box can be fastened to the side of an exposed beam, wall, or directly to a wood or concrete ceiling.



Patent 9458991 B2 - Additional Patents Pending  
Wendelighting reserves the right to make changes without notice.

## LM2P LIGHTING MODULE SPECIFICATIONS (CA T24-JA8)

**Power:** 120/277 VAC Input - 20 Watts  
**Wire Box:** Wiring Box Houses Driver  
**Driver:** (LM2P) Philips Xitanium 120 VAC Input - 500mA Output - 2 Wire Forward / Reverse Phase - Dimmable 2%  
**LED:** LM with 2790 Chip and Primary Optics to be JA8 Tested - 1300 Lumens - 67 Lumens/Watt (All LED Chip Options pending JA8 Allowance)  
**Optics:** Proprietary  
**Luminaire:** Aluminum  
**Dimmer:** 2 Wire Forward / Reverse Phase  
**Mounting:** Beam - Ceiling - Wall  
**Listings:** - Pending UL / CUL - Damp Location - Dead End Class 1 Wiring Only (No Feed Through)  
 - Pending California Title 24 Residential Lighting JA8 Recessed Tested Listing (See [wendelighting.com/resources](http://wendelighting.com/resources))



## BEAM MOUNT OPTICAL FRAMING PROJECTOR OPTIONS

928	BL	LM					
<b>Adapter Cone:</b>	<b>Beam Mount Wiring Box</b>	<b>Lighting Module:</b> (By Driver Type)	<b>LED Chip Options</b> (Chip Values):	<b>Objective Lens Focus Tube</b> (Beam Spread):	<b>Light Border:</b>	<b>Fixture Color:</b>	<b>Light Control Accessories:</b>
<b>Optical Framing Projector</b>		<b>LM2P</b> (Standard) Philips Xitanium 2 Wire Driver Forward / Reverse Phase Dimmable 2% 120V In 500mA Out LM Pending Listing with CA Title 24 JA8	<b>2798</b> 2700K 98 CRI 1400 Lumens R9 93	<b>12°</b>	<b>FB</b> (Standard) Focused Light Border	<b>ALU</b> Natural Alluminum	<b>SH</b> Extra Shutter (1)
		<b>LM4L</b> Lutron EcoSystem PEQ0 4 Wire Driver Dimmable 0.1% 120/277V In 500mA Out LM Not Listed with CA Title 24 JA8	<b>3098</b> (Standard Chip) 3000K 98 CRI 1500 Lumens R9 88	<b>25°</b>	<b>FI</b> Fade in® Light Border	<b>BLK</b> Black	<b>MK</b> Light Mask Kit
			<b>2790</b> 2700K 90 CRI 1600 Lumens R9 54	<b>45°</b>		<b>WHT</b> White	<b>SC</b> Scissors
			<b>3090</b> 3000K 90 CRI 1700 Lumens R9 60	<b>60°</b>			<b>UV</b> Ultraviolet Blocking Lens
				<b>90°</b>			<b>1F</b> 100 Kelvin Warming Filter 39mm Diameter

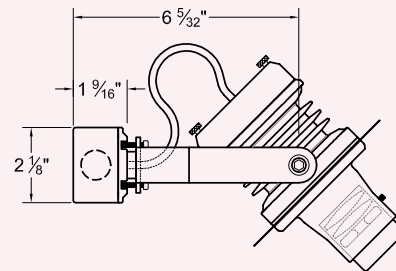
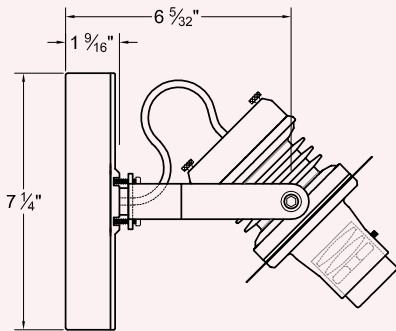
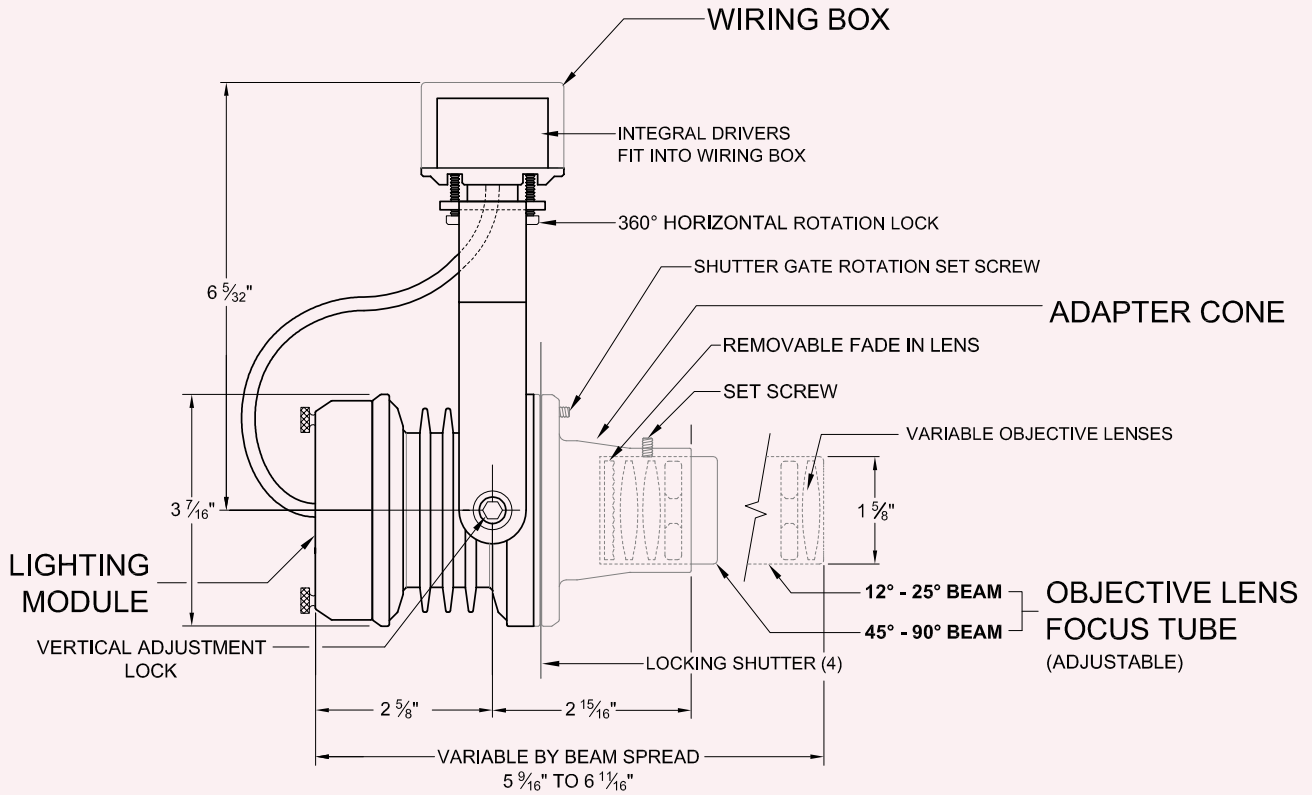
**Color Filter Options:** Additional 39mm Diameter Dichroic Color Filters Available Through Rosco

Philips and Xitanium are Trademarks of Signify  
Lutron, Hi-lume, and Tu-Wire are Trademarks of Lutron Electronics Co., Inc.

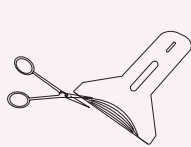
WENDELIGHTING / DIVISION OF JACKSEN INTERNATIONAL LTD. - P.O. BOX 337 - 363 BELL STREET - LOS ALAMOS, CALIFORNIA 93440  
(800) 528-0101 Fax (626) 303-0046 [www.wendelighting.com](http://www.wendelighting.com) e-mail: [info@wendelighting.com](mailto:info@wendelighting.com)

Copyright © 2018 Jacksen International. Ltd. All rights reserved

# Wenlux® 928BL Beam Mount Optical Projector LED



## LIGHT CONTROL ACCESSORIES



**SH**  
FIELD CUTTABLE  
CURVED ETCH  
SHUTTER



**LM**  
LIGHT MASK KIT  
FOR NON-RECTILINEAR  
OBJECTS



**SC**  
SCISSORS



**UV**  
ULTRAVIOLET  
BLOCKING  
LENS



**1F**  
100 KELVIN  
WARMING FILTER

PATENT 6,612,0761B2, ADDITIONAL PATENTS PENDING

### HOW TO SPECIFY

To specify, please visit [www.wendelighting.com/art-light-worksheets/](http://www.wendelighting.com/art-light-worksheets/) complete the appropriate Art Lighting Worksheet and forward the completed worksheet to our staff members at [info@wendelighting.com](mailto:info@wendelighting.com).



The name Wendelighting is a registered trademark to Jacksen International Ltd., Monrovia, California. The name encompasses Wendel® and Wenlux® optical projectors as well as other types of Wendel/Wenlux lighting fixtures for both interior and exterior use.

DIVISION OF JACKSEN INTERNATIONAL LTD

WENDELIGHTING®

Copyright © 2018 Jacksen International. Ltd. All rights reserved