

WENDELIGHTING®

DIVISION OF JACKSEN INTERNATIONAL LTD

Wenlux® 717BL
Beam Mount Accent Light
LED

The Wenlux® 717BL is a Surface Accent light with a Beam Mounting system. A white high color rendering LED light was discriminately selected to enhance fine art and furnishings.

The Wenlux LM2 (2 wire) and LM4 (4 wire) Lighting Modules are inseparable. The LM Lighting Modules include the driver, LED Chip, proprietary optics and cooling system. Lighting Modules accept the Accent Light (Adapter Cone) to which a series of adjustable Lens Holder Tubes with spherical lenses are positioned within to optically control variable beam spreads. Beam spreads can be further altered using Light Control Accessories. Multiple Light Control Accessories can be positioned within the rotational Lens Holder Cone.

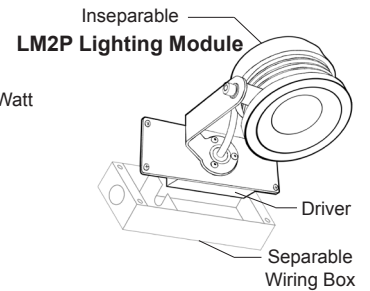
717BL provides rotational adjustment using lockable fastening systems. A dual heat sink technology provides optimum LED cooling. A separable beam mount wiring box houses the LED Driver. The wiring box can be fastened to the side of an exposed beam, wall, or directly to a wood or concrete ceiling.



Wendelighting reserves the right to make changes without notice.

LM2P LIGHTING MODULE SPECIFICATIONS (CA T24-JA8)

Power: 120/277 VAC Input - 20 Watts
Wire Box: Wiring Box Houses Driver
Driver/LED: LM2P with 2790 Chip and Primary Optics JA8 Tested - 1300 Lumens @ 500mA (for tested life) - 67 Lumens/Watt (Estimated 1200 Lumens @ 450mA) JA8 Allowance on all LED Chip Options
Optics: Proprietary
Luminaire: Aluminum
Dimmer: 2 Wire Forward / Reverse Phase
Mounting: Beam - Ceiling - Wall
Listings: - UL / CUL - Damp Location - Dead End Class 1 Wiring Only (No Feed Through)
 - California Title 24 Residential Lighting JA8 Recessed Tested Listing (See wendelighting.com/resources)



BEAM MOUNT ACCENT LIGHT OPTIONS

717	BL	LM				
Adapter Cone: Accent Light	Beam Mount Wiring Box	Lighting Module: LM2P (Standard) Philips Xitanium 2 Wire Driver Forward / Reverse Phase Dimmable 2% Use ELV Dimming 120/277V In 450mA Out Listed with CA Title 24 JA8 LM4L Lutron EcoSystem PEQ0 4 Wire Driver Dimmable 0.1% 120/277V In 450mA Out Requires EcoSystem Dimming Listed with CA Title 24 JA8	LED Chip Options (Chip Values @ 450mA): 2798 2700K 98 CRI 1400 Lumens R9 93 3098 (Standard Chip) 3000K 98 CRI 1500 Lumens R9 88 2790 2700K 90 CRI 1600 Lumens R9 54 3090 3000K 90 CRI 1700 Lumens R9 60	Optical Lens Holder Tube (Beam Spread): NBS 14° - 28° MBS 30° - 40° WBS 50° VWB 63°	Fixture Color: ALU Natural Aluminum BLK Black WHT White	Light Control Accessories: FI Fade In® 0° Softening Lens SF 14° Soft Focus Lens SL 28° Spread Lens RL 0° x 48° Rectilinear Lens HL Hexcell Louver 1F 100 Kelvin Warming Filter 39mm Diameter

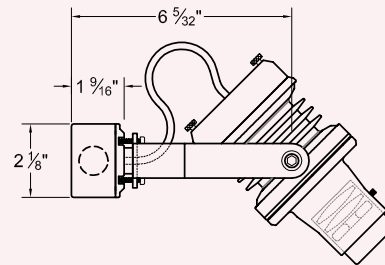
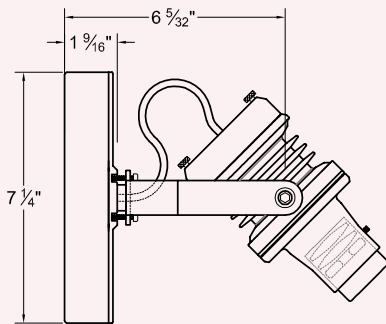
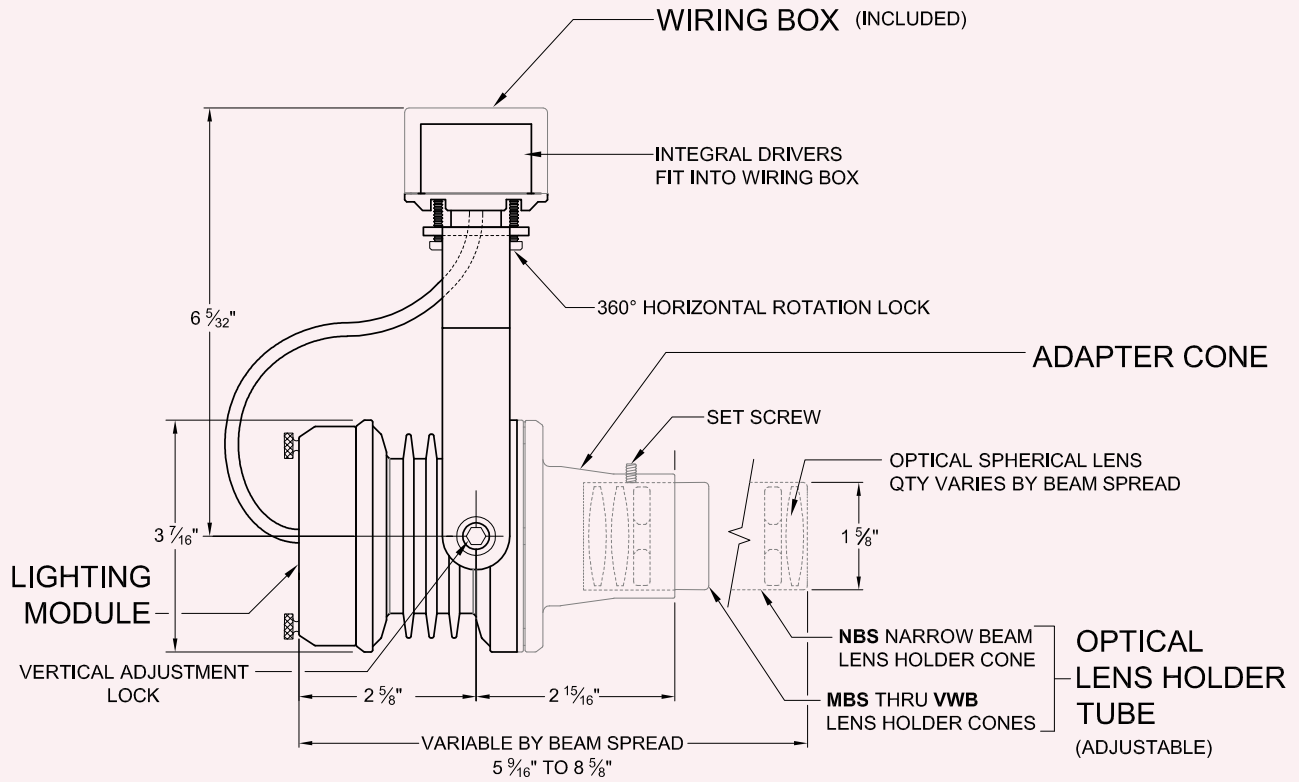
Color Filter Options: Additional 39mm Diameter Dichroic Color Filters Available Through Rosco

Philips and Xitanium are Trademarks of Signify
Lutron, Hi-Lume, and Tu-Wire are Trademarks of Lutron Electronics Co., Inc.

WENDELIGHTING / DIVISION OF JACKSEN INTERNATIONAL LTD. - P.O. BOX 337 - 363 BELL STREET - LOS ALAMOS, CALIFORNIA 93440
(800) 528-0101 Fax (626) 303-0046 www.wendelighting.com e-mail: info@wendelighting.com

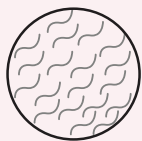
Copyright © 2018 Jacksen International. Ltd. All rights reserved

Wenlux® 717BL Beam Mount Accent Light LED

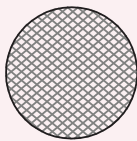


LIGHT CONTROL ACCESSORIES

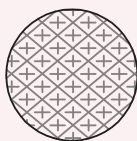
Degrees shown are approximate on a NBS Cone. Results may vary substantially using wider MBS thru VWB beam spread Cones.



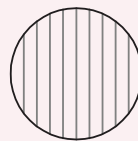
0°
Fade In® Softening Lens
FI



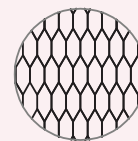
14°
Soft Focus Lens
SF



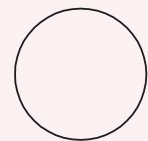
28°
Spread Lens
SL



0° x 48°
Rectilinear Lens
RL



Hexcel Louver
(Black)
HL



100 Kelvin
Warming Filter
1F

HOW TO SPECIFY

To specify, please visit www.wendelighting.com/art-light-worksheets/ complete the appropriate Art Lighting Worksheet and forward the completed worksheet to our staff members at info@wendelighting.com.



The name Wendelighting is a registered trademark to Jacksen International Ltd., Monrovia, California. The name encompasses Wendel® and Wenlux® optical projectors as well as other types of Wendel/Wenlux lighting fixtures for both interior and exterior use.

WENDELIGHTING®

DIVISION OF JACKSEN INTERNATIONAL LTD