

# WENDELIGHTING®

DIVISION OF JACKSEN INTERNATIONAL LTD

Wendel® 415PLMEX  
Recessed Optical Projector  
LED

The Wendel® 415PL Recessed Framing Projector is factory installed onto a 415MEX Platform. A white high color rendering LED light was discriminately selected to enhance fine art. A shaped light mask framed to art accentuates focus. Precision ground lenses focus upon independently locking light masking shutters for a securely shaped Focused Light Border "FB" (standard). For our proprietary Fade In® Light Border specify "FI."

The inseparable LM2 (2 wire) and LM4 (4 wire) Lighting Modules are separable from the Recessed Platform by disconnects. The LM Lighting Modules include the driver, LED Chip, proprietary optics and cooling system. Lighting Modules are assembled with the Projector (Adapter Cone) to which variable beam spread Objective Lens Focus Tubes are positioned within to highlight subject of many sizes and distances.

Wendel® provides rotational adjustment using lockable fastening systems. A dual heat sink technology delivers optimum LED cooling. The Recessed Platform's adjustable Ceiling Collar accommodates ceiling thickness from 5/8" to 1 7/16". Accessory flush trim flanges are available for a seamless, flush to ceiling, field-paintable trim.

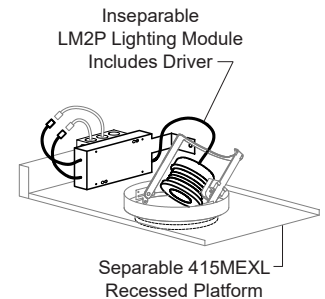
Patents: 9458991 B2 and 6,612,0761 B2

Wendelighting reserves the right to make changes without notice.



## LM2P LIGHTING MODULE SPECIFICATIONS

<b>Power:</b>	120/277 VAC Input - 20 Watts
<b>Driver/LED:</b>	<b>LM2P</b> with <b>2790</b> Chip and Primary Optics - 1300 Lumens @ 500mA (for tested life) - 67 Lumens/Watt (Estimated 1200 Lumens @ 450mA)
<b>Optics:</b>	Proprietary
<b>Luminaire:</b>	Aluminum
<b>Dimmer:</b>	2 Wire Forward / Reverse Phase
<b>Mounting:</b>	Adjustable Locking Crossmember to Yoke
<b>Rotation:</b>	0° - 45° Vertical Tilt / 361° Horizontal Rotation
<b>Listings:</b>	Not UL Listed - Not for Use in USA or Canada
<b>Protection:</b>	Thermal Foldback Protection
<b>Clearance:</b>	<b>Combustible Materials and Insulation Clearances Required</b>



## RECESSED OPTICAL PROJECTOR OPTIONS

415MEXL -	415PL -	LM	LED Chip Options (Chip Values) (@ 450mA:)	Objective Lens Focus Tube (Beam Spread):	Light Border:	Flush Trim Flange:	Trim Options:	Light Control Accessories:
Recessed 415MEXL LED Recessed Platform	Adapter Cone:  <b>Optical Framing Projector</b>	<b>Lighting Module: (By Driver Type)</b>  <b>LM2P</b> (Standard) Philips Xitanium 2 Wire Driver Hybrid Forward / Reverse Phase Dimmable 2% With ELV Dimming 120-277V In 450mA Out Listed with CA Title 24 JA8  <b>LM4D</b> eldoLED SOLDrive 4 Wire Driver Digitally Addressable Dimming Control Dali-2® Dimmable 0.1% 120V-277V In 450mA Out Listed with CA Title 24 JA8  <b>LM4P</b> Philips Xitanium 4 Wire Driver 0-10V Dimmable 1% 120-277V In 450mA Out Use Linear Dimming Not Listed with CA Title 24 JA8  <b>Contact Wendel for Lutron® Drivers</b>  <b>LM2L</b> LTEA Tu-Wire® NOT JA8  <b>LM4L</b> EcoSystem® 4 Wire JA8	<b>2798</b> 2700K 98 CRI 1400 Lumens R9 93  <b>3098</b> (Standard Chip) 3000K 98 CRI 1500 Lumens R9 88  <b>2790</b> (Special Order) 2700K 90 CRI 1600 Lumens R9 54  <b>3090</b> (Special Order) 3000K 90 CRI 1700 Lumens R9 60	<b>12°</b>  <b>25°</b>  <b>45°</b>  <b>60°</b>  <b>90°</b>	<b>FB</b> (Standard) Focused Light Border  <b>FI</b> Fade in® Light Border	<b>PF</b> Plaster Flush Trim Flange  <b>AF</b> Aluminum Flush Trim Flange  <b>XX</b> No Flush Trim Flange - For Overlap Trim	<b>OST</b> Overlap Slot Trim 20° - 45° Tilt  <b>OPT</b> Overlap Pinhole Trim 0° - 30° Tilt  <b>FST</b> Flush Slot Trim 20° - 45° Tilt  <b>FPT</b> Flush Pinhole Trim 0° - 30° Tilt	<b>SH</b> Extra Shutter (1)  <b>MK</b> Light Mask Kit (Fade In Required)  <b>SC</b> Scissors  <b>UV</b> Ultraviolet Blocking Lens  <b>1F</b> 100 Kelvin Warming Filter 39mm Diameter

**Color Filter Options:** Additional 39mm Diameter Dichroic Color Filters Available Through Rosco

Philips and Xitanium are Trademarks of Signify

Lutron, Hi-lume, Tu-Wire, and EcoSystem are Trademarks of Lutron Electronics Co., Inc.

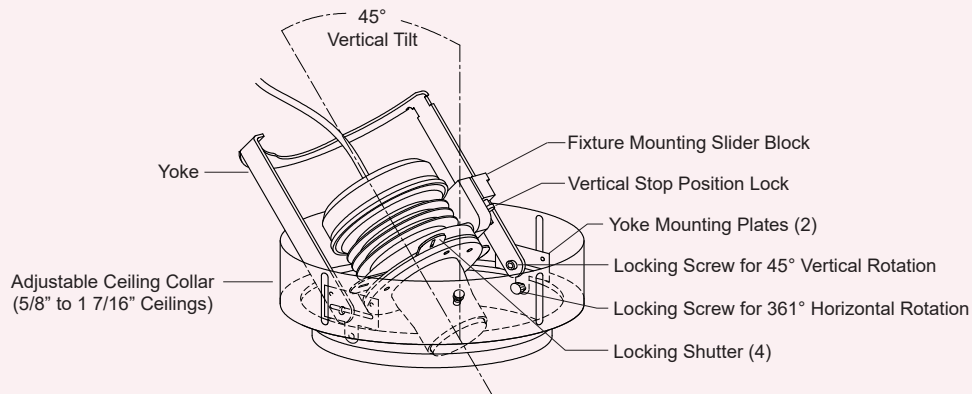
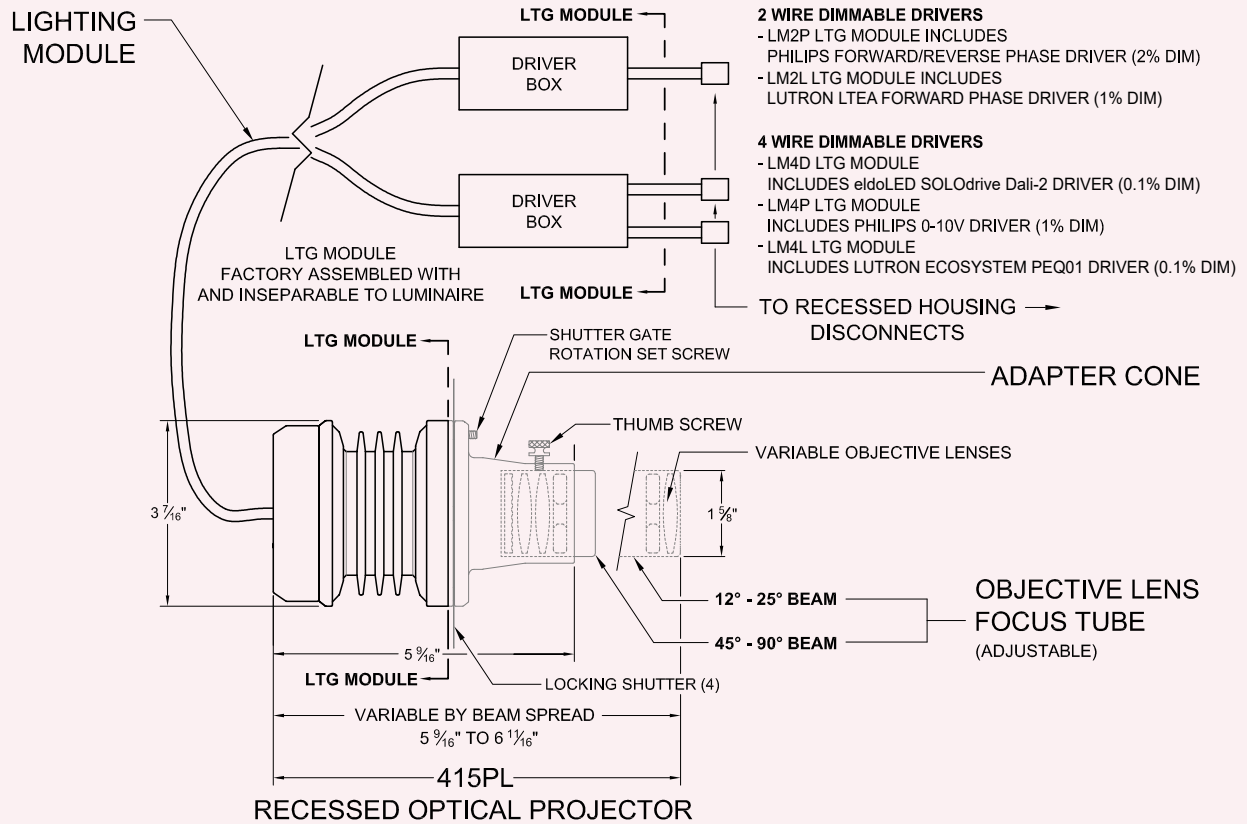
Dali-2® is a Registered Trademark of the Digital Illumination Interface Alliance

WENDELIGHTING / DIVISION OF JACKSEN INTERNATIONAL LTD. - P.O. BOX 337 - 363 BELL STREET - LOS ALAMOS, CALIFORNIA 93440  
(800) 528-0101 Fax (626) 303-0046 www.wendelighting.com e-mail: info@wendelighting.com

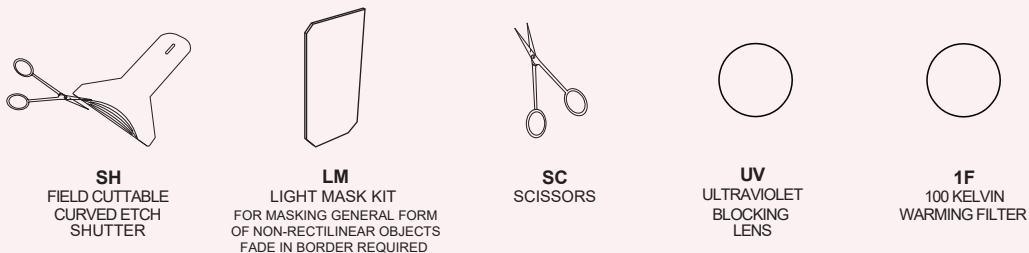
WENDELIGHTING reserves the right to make changes without notice

Copyright © 2026 Jacksen International, Ltd. All rights reserved

# Wendel® 415PLMEX Recessed Optical Projector LED



## LIGHT CONTROL ACCESSORIES



### HOW TO SPECIFY

To specify, please visit [www.wendelighting.com/art-light-worksheets/](http://www.wendelighting.com/art-light-worksheets/) complete the appropriate Art Lighting Worksheet and forward the completed worksheet to our staff members at [info@wendelighting.com](mailto:info@wendelighting.com).

**WENDELIGHTING®**



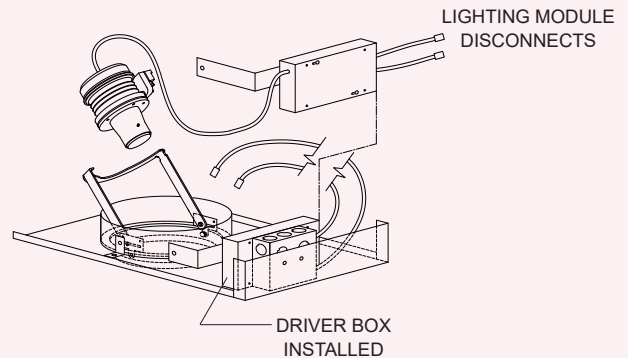
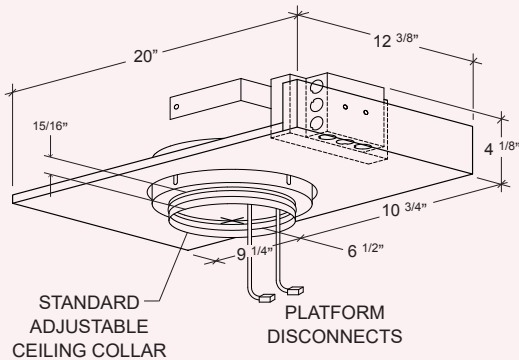
The name Wendelighting is a registered trademark to Jacksen International Ltd., Monrovia, California. The name encompasses Wendel® and Wenlux® as well as other types of Wendel/Wenlux lighting fixtures for both interior and exterior use.

DIVISION OF JACKSEN INTERNATIONAL LTD

WENDELIGHTING reserves the right to make changes without notice  
Copyright © 2026 Jacksen International, Ltd. All rights reserved

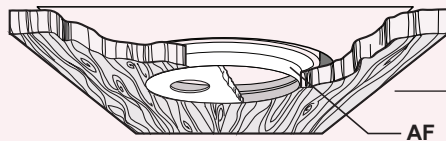
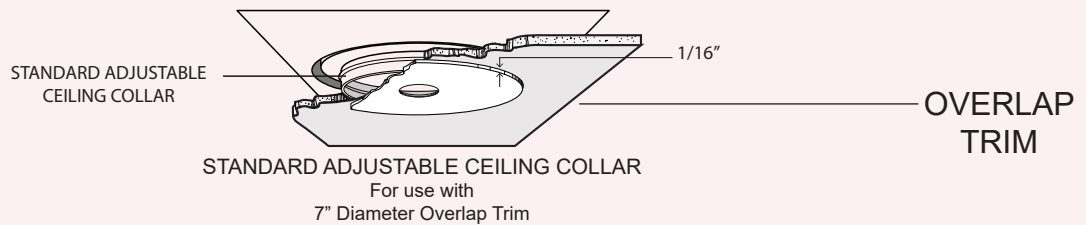
# Wendel® 415PLMEX Recessed Optical Projector LED

## 415MEXL - LED RECESSED PLATFORM

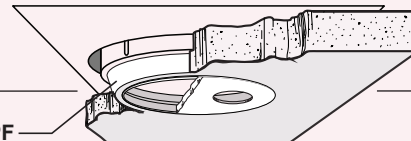


## CEILING FINISH OPTIONS

### OVERLAP - FLUSH

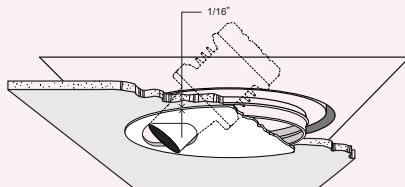


**AF**  
SOLID CEILING  
**ALUMINUM FLUSH TRIM FLANGE**  
Accessory For 6 1/2" Diameter Flush Trims



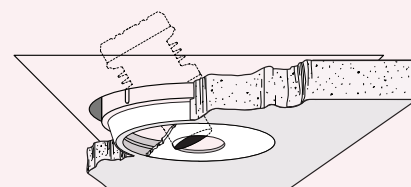
**PF**  
PLASTER / STUCCO / DRYWALL CEILING  
**PLASTER FLUSH TRIM FLANGE**  
Accessory For 6 1/2" Diameter Flush Trims

## TRIM OPTIONS



**SLOT TRIMS**  
20° - 45° TILT  
SHOWN OVERLAP

**OST** - OVERLAP SLOT TRIM 7" Dia (2" X 2 9/16" Slot)  
**FST** - FLUSH SLOT TRIM 6 1/2" Dia (2" X 2 9/16" Slot)



**PINHOLE TRIMS**  
0° - 30° TILT  
SHOWN FLUSH

**OPT** - OVERLAP PINHOLE TRIM 7" Dia (2" Pin)  
**FPT** - FLUSH PINHOLE TRIM 6 1/2" Dia (2" Pin)

FLUSH TRIMS REQUIRE 415HIC RECESSED HOUSING ORDERED W/ FLUSH TRIM FLANGE ACCESSORY

### HOW TO SPECIFY

To specify, please visit [www.wendelighting.com/art-light-worksheets/](http://www.wendelighting.com/art-light-worksheets/) complete the appropriate Art Lighting Worksheet and forward the completed worksheet to our staff members at [info@wendelighting.com](mailto:info@wendelighting.com).

**WENDELIGHTING®**



The name Wendelighting is a registered trademark to Jacksen International Ltd., Monrovia, California. The name encompasses Wendel® and Wenlux® as well as other types of Wendel/Wenlux lighting fixtures for both interior and exterior use.

DIVISION OF JACKSEN INTERNATIONAL LTD

WENDELIGHTING reserves the right to make changes without notice  
Copyright © 2026 Jacksen International, Ltd. All rights reserved