

# WENDELIGHTING®

DIVISION OF JACKSEN INTERNATIONAL LTD

Wenlux® 415ALMEX  
Recessed Accent Light  
LED

The Wenlux® 415AL Recessed Accent Light is factory installed onto a 415MEX Platform. A white high color rendering LED light was discriminately selected to enhance fine art and furnishings.

The inseparable Wenlux LM2 (2 wire) and LM4 (4 wire) Lighting Modules are separable from the Recessed Platform by disconnects. The LM Lighting Modules include the driver, LED Chip, proprietary optics and cooling system. Lighting Modules are assembled with the Accent Light (Adapter Cone) to which a series of Lens Holder Tubes with spherical lenses are positioned within to optically control variable beam spreads. The Luminaire's beam spreads can be further altered using a series of Light Control Accessories. Multiple Light Control Accessories can be positioned within the rotational Lens Holder Cone.

Wenlux provides rotational adjustment using lockable fastening systems. A dual heat sink technology delivers optimum LED cooling. The Recessed Platform's adjustable Ceiling Collar accommodates ceiling thickness from 5/8" to 1 7/16". Accessory flush trim flanges are available for a seamless, flush to ceiling, field-paintable trim.

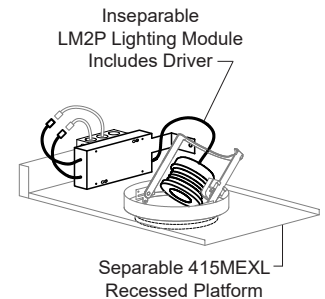


Patents: 6,612,0761 B2

Wendelighting reserves the right to make changes without notice.

## LM2P LIGHTING MODULE SPECIFICATIONS

<b>Power:</b>	120/277 VAC Input - 20 Watts
<b>Driver/LED:</b>	<b>LM2P</b> with <b>2790</b> Chip and Primary Optics - 1300 Lumens @ 500mA (for tested life) - 67 Lumens/Watt (Estimated 1200 Lumens @ 450mA)
<b>Optics:</b>	Proprietary
<b>Luminaire:</b>	Aluminum
<b>Dimmer:</b>	2 Wire Forward / Reverse Phase
<b>Mounting:</b>	Adjustable Locking Crossmember to Yoke
<b>Rotation:</b>	0° - 45° Vertical Tilt / 361° Horizontal Rotation
<b>Listings:</b>	Not UL Listed - Not for Use in USA or Canada
<b>Protection:</b>	Thermal Foldback Protection



## RECESSED ACCENT LIGHT OPTIONS

415MEXL -	415AL -	LM	LED Chip Options (Chip Values) (@ 450mA:)	Optical Lens Holder Tube (Spread):	Flush Trim Flange:	Trim Options:	Light Control Accessories:
Recessed 415MEXL LED Recessed Platform	Adapter Cone: Accent Light	<b>Lighting Module: (By Driver Type)</b> <b>LM2P</b> (Standard) Philips Xitanium 2 Wire Driver Hybrid Forward / Reverse Phase Dimmable 2% With ELV Dimming 120-277V In 450mA Out Listed with CA Title 24 JA8  <b>LM4D</b> eldoLED SOLOdrive 4 Wire Driver Digitally Addressable Dimming Control Dali-2® Dimmable 0.1% 120V-277V In 450mA Out Listed with CA Title 24 JA8  <b>LM4P</b> Philips Xitanium 4 Wire Driver 0-10V Dimmable 1% 120-277V In 450mA Out Use Linear Dimming Not Listed with CA Title 24 JA8  <b>Contact Wendel for Lutron® Drivers</b> <b>LM2L</b> LITEA Tu-Wire® NOT JA8 <b>LM4L</b> EcoSystem® 4 Wire JA8	<b>2798</b> 2700K 98 CRI 1400 Lumens R9 93  <b>3098</b> (Standard Chip) 3000K 98 CRI 1500 Lumens R9 88  <b>2790</b> (Special Order) 2700K 90 CRI 1600 Lumens R9 54  <b>3090</b> (Special Order) 3000K 90 CRI 1700 Lumens R9 60	<b>NBS</b> 14° - 28°  <b>MBS</b> 30° - 40°  <b>WBS</b> 50°  <b>VWB</b> 63°	<b>PF</b> Plaster Flush Trim Flange  <b>AF</b> Aluminum Flush Trim Flange  <b>XX</b> No Flush Trim Flange - For Overlap Trim	<b>OST</b> Overlap Slot Trim 20° - 45° Tilt  <b>OPT</b> Overlap Pinhole Trim 0° - 30° Tilt  <b>FST</b> Flush Slot Trim 20° - 45° Tilt  <b>FPT</b> Flush Pinhole Trim 0° - 30° Tilt	<b>FI</b> Fade In® 0° Softening Lens  <b>SF</b> 14° Soft Focus Lens  <b>SL</b> 28° Spread Lens  <b>RL</b> 0° x 48° Rectilinear Lens  <b>HL</b> Hexcell Louver  <b>1F</b> 100 Kelvin Warming Filter 39mm Diameter

**Color Filter Options:** Additional 39mm Diameter Dichroic Color Filters Available Through Rosco

Philips and Xitanium are Trademarks of Signify

Lutron, Hi-Lume, Tu-Wire, and EcoSystem are Trademarks of Lutron Electronics Co., Inc.

Dali-2® is a Registered Trademark of the Digital Illumination Interface Alliance

WENDELIGHTING / DIVISION OF JACKSEN INTERNATIONAL LTD. - P.O. BOX 337 - 363 BELL STREET - LOS ALAMOS, CALIFORNIA 93440  
(800) 528-0101 Fax (626) 303-0046 www.wendelighting.com e-mail: info@wendelighting.com

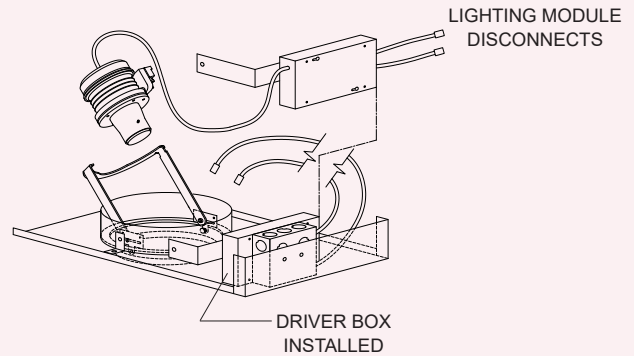
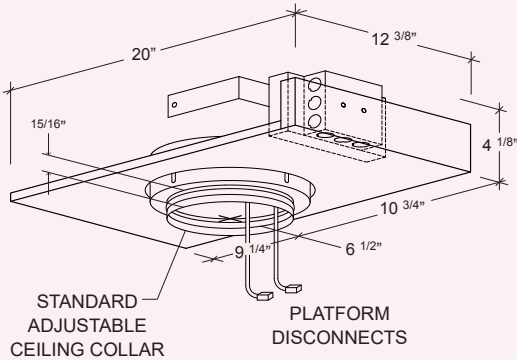
WENDELIGHTING reserves the right to make changes without notice

Copyright © 2026 Jacksen International, Ltd. All rights reserved



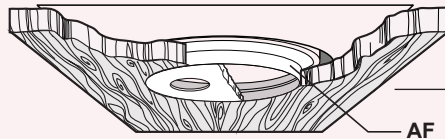
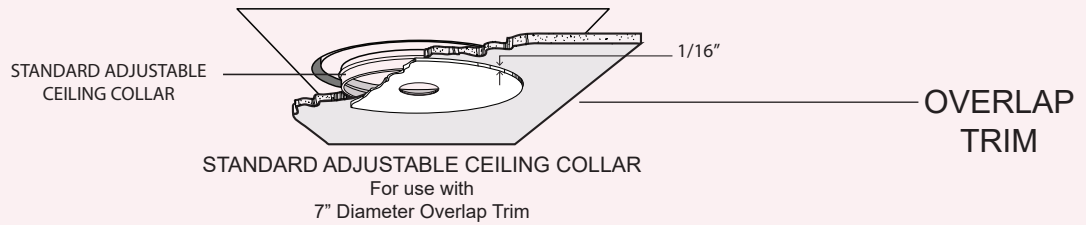
# Wenlux® 415ALMEX Recessed Accent Light LED

## 415MEXL - LED RECESSED PLATFORM

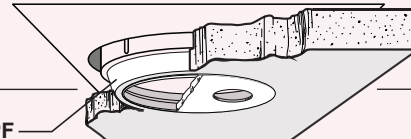


## CEILING FINISH OPTIONS

### OVERLAP - FLUSH

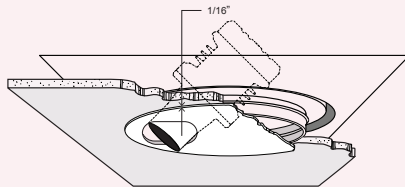


**AF**  
SOLID CEILING  
**ALUMINUM FLUSH TRIM FLANGE**  
Accessory For 6 1/2" Diameter Flush Trims



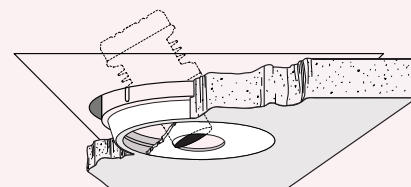
**PF**  
PLASTER / STUCCO / DRYWALL CEILING  
**PLASTER FLUSH TRIM FLANGE**  
Accessory For 6 1/2" Diameter Flush Trims

## TRIM OPTIONS



**SLOT TRIMS**  
20° - 45° TILT  
SHOWN OVERLAP

**OST** - OVERLAP SLOT TRIM 7" Dia (2" X 2 9/16" Slot)  
**FST** - FLUSH SLOT TRIM 6 1/2" Dia (2" X 2 9/16" Slot)



**PINHOLE TRIMS**  
0° - 30° TILT  
SHOWN FLUSH

**OPT** - OVERLAP PINHOLE TRIM 7" Dia (2" Pin)  
**FPT** - FLUSH PINHOLE TRIM 6 1/2" Dia (2" Pin)

FLUSH TRIMS REQUIRE 415HIC RECESSED HOUSING ORDERED W/ FLUSH TRIM FLANGE ACCESSORY

### HOW TO SPECIFY

To specify, please visit [www.wendelighting.com/art-light-worksheets/](http://www.wendelighting.com/art-light-worksheets/) complete the appropriate Art Lighting Worksheet and forward the completed worksheet to our staff members at [info@wendelighting.com](mailto:info@wendelighting.com).

**WENDELIGHTING®**



The name Wendelighting is a registered trademark to Jacksen International Ltd., Monrovia, California. The name encompasses Wendel® and Wenlux® optical projectors as well as other types of Wendel/Wenlux lighting fixtures for both interior and exterior use.

DIVISION OF JACKSEN INTERNATIONAL LTD

WENDELIGHTING reserves the right to make changes without notice  
Copyright © 2026 Jacksen International, Ltd. All rights reserved