

The Wendel® 928BL is a Surface framing Projector with a Beam Mounting system. A white high color rendering LED light was discriminately selected to enhance art. A shaped light mask framed to art accentuates focus. Precision ground lenses focus upon independently locking light masking shutters for a securely shaped Focused Light Border "FB" (standard). For our proprietary Fade In® Light Border specify "FI."

The LM2 (2 wire) and LM4 (4 wire) Lighting Modules are inseparable. The LM Lighting Modules include the driver, LED Chip, proprietary optics and cooling system. Lighting Modules accept the Projector (Adapter Cone) to which variable beam spread Objective Lens Focus Tubes are positioned within to highlight subject of many sizes and distances.

928BL provides rotational adjustment using lockable fastening systems. A dual heat sink technology provides optimum LED cooling. A separable beam mount wiring box is provided to house the LED Driver. The wiring box can be fastened to the side of an exposed beam, wall, or directly to a wood or concrete ceiling.

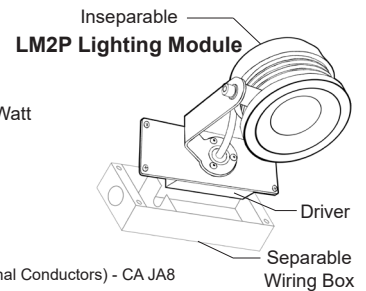


Patent 9458991 B2

Wendelighting reserves the right to make changes without notice.

LM2P INTEGRAL DRIVER LIGHTING MODULE SPECIFICATIONS (CA T24-JA8)

- Power:** 120/277 VAC Input - 20 Watts
- Wire Box:** Wiring Box Houses Driver
- Driver/LED:** LM2P with 2790 Chip and Primary Optics JA8 Tested - 1300 Lumens @ 500mA (for tested life) - 67 Lumens/Watt (Estimated 1200 Lumens @ 450mA) JA8 Allowance on all LED Chip Options
- Optics:** Proprietary
- Luminaire:** Aluminum
- Dimmer:** 2 Wire Forward / Reverse Phase
- Mounting:** Ceiling - Wall
- Listings:** Integral Driver - UL / CUL - Damp Location - (Dead End or Daisy Chain Feed Through Class 1 Wiring Only - No Additional Conductors) - CA JA8

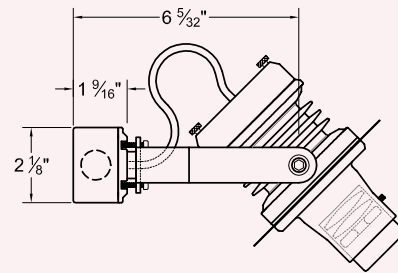
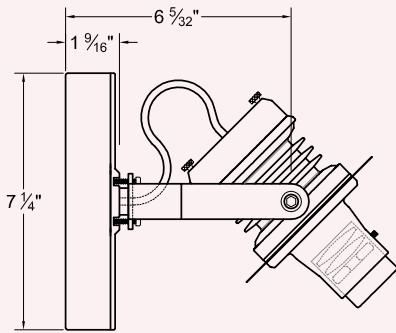
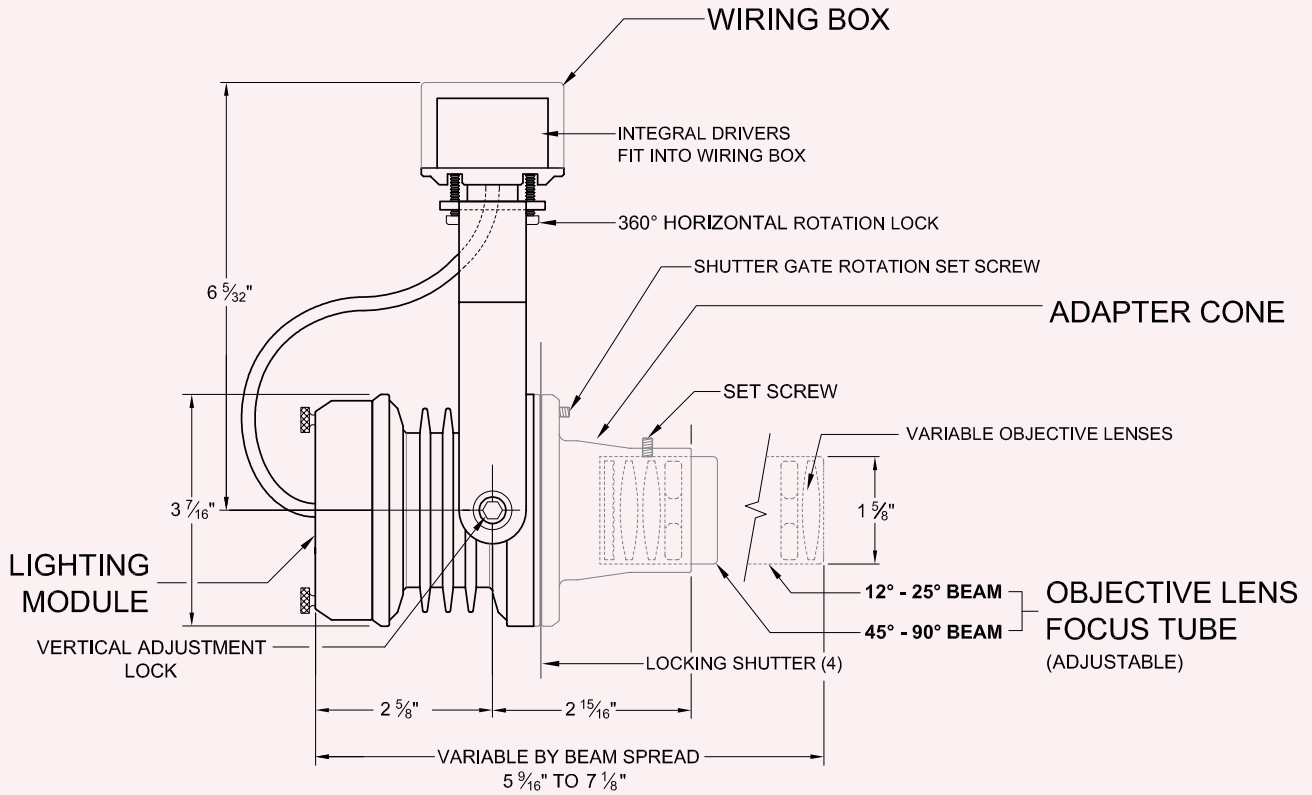


MONOPOINT OPTICAL FRAMING PROJECTOR OPTIONS

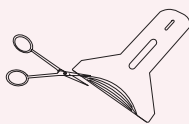
928	BL	LM	LED Chip Options (Chip Values) @ 450mA :	Objective Lens Focus Tube (Beam Spread):	Light Border:	Fixture Color:	Light Control Accessories:
Adapter Cone: Optical Framing Projector	Beam Mount Wiring Box	Lighting Module: (By Driver Type) LM2P (Standard) Philips Xitanium 2 Wire Driver Hybrid Forward / Reverse Phase Dimmable 2% With ELV Dimming 120-277V In 450mA Out Listed with CA Title 24 JA8 LM4D eldoLED SOL Drive 4 Wire Driver Digitally Addressable Dimming Control Dali-2® Dimmable 0.1% 120V-277V In 450mA Out Listed with CA Title 24 JA8	2798 2700K 98 CRI 1400 Lumens R9 93 3098 (Standard Chip) 3000K 98 CRI 1500 Lumens R9 88 2790 (Special Order) 2700K 90 CRI 1600 Lumens R9 54 3090 (Special Order) 3000K 90 CRI 1700 Lumens R9 60	12° 25° 45° 60° 90°	FB (Standard) Focused Light Border FI Fade in® Light Border	BLK Black WHT White	SH Extra Shutter (1) MK Light Mask Kit (Fade In Required) SC Scissors UV Ultraviolet Blocking Lens 1F 100 Kelvin Warming Filter 39mm Diameter

Color Filter Options: Additional 39mm Diameter Dichroic Color Filters Available Through Rosco

Wendel® 928BL Beam Mount Optical Projector LED



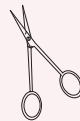
LIGHT CONTROL ACCESSORIES



SH
FIELD CUTTABLE
CURVED ETCH
SHUTTER



LM
LIGHT MASK KIT
FOR MASKING GENERAL FORM
OF NON-RECTILINEAR OBJECTS
FADE IN BORDER REQUIRED



SC
SCISSORS



UV
ULTRAVIOLET
BLOCKING
LENS



1F
100 KELVIN
WARMING FILTER

PATENT 6,612,0761B2, ADDITIONAL PATENTS PENDING

HOW TO SPECIFY

To specify, please visit www.wendelighting.com/art-light-worksheets/ complete the appropriate Art Lighting Worksheet and forward the completed worksheet to our staff members at info@wendelighting.com.



The name Wendelighting is a registered trademark to Jacksen International Ltd., Monrovia, California. The name encompasses Wendel® and Wenlux® as well as other types of Wendel/Wenlux lighting fixtures for both interior and exterior use.

DIVISION OF JACKSEN INTERNATIONAL LTD

WENDELIGHTING®

Copyright © 2024 Jacksen International. Ltd. All rights reserved