

WENDELIGHTING®

DIVISION OF JACKSEN INTERNATIONAL LTD

Wenlux® Model 415W
Recessed Wash Light

The Wenlux® Recessed Wash Light provides the designer with an option to illuminate tall surfaces. The optics are designed for highest illumination levels to occur at the eye level, where art is most viewed. When the top of art is close to the ceiling, the Wash Light provides an option to handle even this most difficult task.

The Wash Light utilizes an energy efficient MR16 IR Halogen Lamp paired with an Iron-Free Diffusion Glass to cast an even plane of white light across a large area, making it ideal for architectural accent lighting illumination of large art or groupings of art.

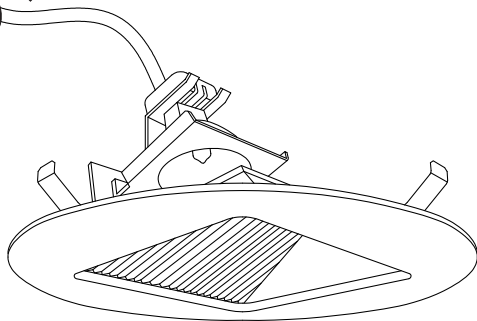
The Wash Trim is held in place by positive spring retention, effectively preventing it from shifting position and ensuring that your wash light will remain steadily aimed and secured to the ceiling.

Patent 6,612,0761 B2
Wendelighting reserves the right to make changes without notice.



DISCONTINUED

Model 415W



STANDARD SPECIFICATIONS

Applications:	Tall Wall Art, Art Groupings, Architectural Accent
Power:	12 Volt Transformer in Recessed Housing
Finish:	Flat White, Field Paintable
Body:	Aluminum
Lens:	Iron Free - Ribbed and Diffused
Retention:	Spring Clips
Relamping:	Top or Bottom Access
Weight:	.75 lbs.
Listings:	UL / CUL - Damp Location
Horizontal Rotation:	Full 360° +

Trim Specification

	Flush	Overlap
	415WFT	415WOT
	Flush Wash Trim	Overlap Wash Trim

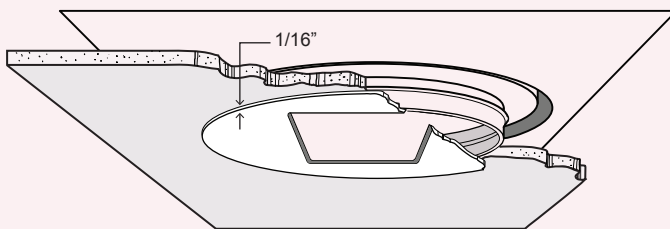
Aluminum Finished White (Field Paintable) Retained by Spring Clips

Lamp Options

(As of Aug. 2019)

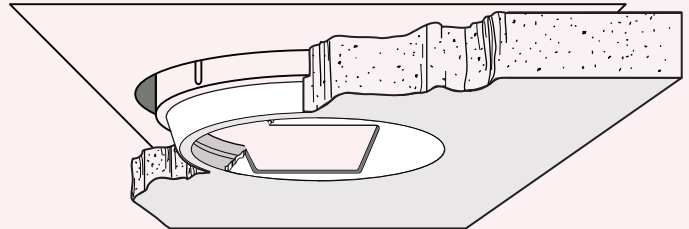
Philips® IR - Sylvania® IR - Ushio® IR (50 Watt MR16 IR MAX) *
Ushio® 1004958 MR16 LED Retrofit

For CA Title 24 JA8-2016-E Residential Lighting Requirement



OVERLAP TRIM
415WOT
7" DIA (3 5/8" SQ OPENING)

FLUSH TRIMS REQUIRE 415HC RECESSED HOUSING ORDERED W/ FLUSH TRIM FLANGE ACCESSORY



FLUSH TRIM
415WFT
6 1/2" DIA (3 5/8" SQ OPENING)

*Not Compliant with CA Title 20
See wendelighting.com/resources

45 MR16 / IR / FL36° Footcandles

Single					Multiple				
30"					30"				
Distance Below Ceiling					Distance Below Ceiling				
0.6	2	5	5	1'	5	6	5	6"	Light Starts
2	6	14	18	2'	18	19	18		
4	10	22	29	3'	33	34	33		
5	11	23	31	4'	36	39	36		
5	11	21	25	5'	33	38	33		
5	11	17	19	6'	28	33	28		
5	10	12	13	7'	22	25	22		
5	8	10	11	8'	19	21	19		
4	6	8	9	9'	16	17	16		
4	5	7	7	10'	12	13	12		
3	5	5	5	11'	10	11	10		
3	4	4	4	12'	8	9	8		
2	3	4	4	13'	7	8	7		
2	3	3	3	14'	6	6	6		

Single					Multiple				
36"					36"				
Distance Below Ceiling					Distance Below Ceiling				
0.5	1	2	2	1'	3	2.6	3	8"	Light Starts
1.5	3	5	7	2'	9	9	9		
3	6	10	13	3'	17	17	17		
4	9	15	17	4'	23	24	23		
6	9	15	18	5'	24	26	24		
5	10	11	15	6'	23	25	23		
5	9	10	12	7'	20	23	20		
5	8	10	11	8'	16	18	16		
5	7	9	9	9'	14	15	14		
4	6	7	7	10'	12	13	12		
4	5	6	6	11'	9	10	9		
3	4	5	5	12'	8	9	8		
3	4	4	4	13'	6	7	6		
3	3	4	4	14'	5	6	5		

Single					Multiple				
48"					48"				
Distance Below Ceiling					Distance Below Ceiling				
0.3	0.5	0.5	0.6	1'	1	1	1	10"	Light Starts
1	2	2	2	2'	3	3	3		
2	3	4	5	3'	6	6	6		
3	5	7	8	4'	10	10	10		
4	7	9	10	5'	13	12	13		
5	8	10	11	6'	15	15	15		
5	8	9	11	7'	15	14	15		
5	8	9	10	8'	14	14	14		
5	7	8	9	9'	12	13	12		
5	6	7	7	10'	11	11	11		
4	6	6	6	11'	9	9	9		
4	4	6	6	12'	8	9	8		
3	4	5	5	13'	7	8	7		
3	4	4	4	14'	6	7	6		

NOTES:

Footcandle values taken using Dull Natural Aluminum Finish Trim.

Data measured Perpendicular to source at positions shown.

HOW TO SPECIFY

To specify, please visit www.wendelighting.com/worksheets.htm, complete the appropriate projector worksheet and forward the completed worksheet to our staff members, info@wendelighting.com.

The name Wendelighting is registered to Jacksen International Ltd., Monrovia, California. The name encompasses Wendel® and Wenlux® optical projectors as well as other types of Wendel/Wenlux lighting fixtures for both interior and exterior use.



WENDELIGHTING®

DIVISION OF JACKSEN INTERNATIONAL LTD