

WENDELIGHTING®

DIVISION OF JACKSEN INTERNATIONAL LTD

Wendel® 415PL
Recessed Optical Projector
LED

The Wendel® 415PL Recessed Framing Projector is factory installed into an insulation contact / air tight recessed housing. A white high color rendering LED light was discriminately selected to enhance fine art. A shaped light mask framed to art accentuates focus. Precision ground lenses focus upon independently locking light masking shutters for a securely shaped Focused Light Border "FB" (standard). For our proprietary Fade In® Light Border specify "FI."

The inseparable LM2 (2 wire) and LM4 (4 wire) Lighting Modules are separable from the recessed housing by disconnects. The LM Lighting Modules include the driver, LED Chip, proprietary optics and cooling system. Lighting Modules are assembled with the Projector (Adapter Cone) to which variable beam spread Objective Lens Focus Tubes are positioned within to highlight subject of many sizes and distances.

Wendel® provides rotational adjustment using lockable fastening systems. A dual heat sink technology delivers optimum LED cooling. The Recessed Housing's adjustable Ceiling Collar accommodates ceiling thickness from 5/8" to 1 7/16". Accessory flush trim flanges are available for a seamless, flush to ceiling, field-paintable trim.

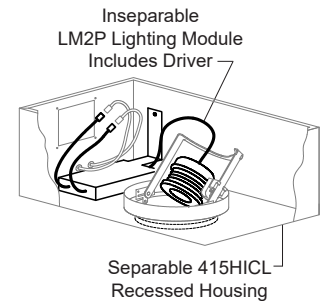


Patents: 9458991 B2 and 6,612,0761 B2

Wendelighting reserves the right to make changes without notice.

LM2P LIGHTING MODULE SPECIFICATIONS (CA T24-JA8)

- Power:** 120/277 VAC Input - 20 Watts
- Driver/LED:** LM2P with 2790 Chip and Primary Optics JA8 Tested - 1300 Lumens @ 500mA (for tested life) - 67 Lumens/Watt (Estimated 1200 Lumens @ 450mA) JA8 Allowance on all LED Chip Options
- Optics:** Proprietary
- Luminaire:** Aluminum
- Dimmer:** 2 Wire Forward / Reverse Phase
- Mounting:** Adjustable Locking Crossmember to Yoke
- Rotation:** 0° - 45° Vertical Tilt / 361° Horizontal Rotation
- Listings:**
 - UL / CUL - Damp Location - Type IC / Air Tight - Feed Through Wiring - Class 1 Wiring Required - Thermal Foldback Protection
 - California Title 24 Residential Lighting JA8 Recessed Tested Listing (See wendelighting.com/resources)



RECESSED OPTICAL PROJECTOR OPTIONS

415HICL -	415PL -	LM							
Recessed 415HICL LED Recessed Housing	Adapter Cone: Optical Framing Projector	Lighting Module: (By Driver Type)	LED Chip Options (Chip Values) (@ 450mA):	Objective Lens Focus Tube (Beam Spread):	Light Border:	Flush Trim Flange:	Trim Options:	Light Control Accessories:	
		LM2P (Standard) Philips Xitanium 2 Wire Driver Hybrid Forward / Reverse Phase Dimmable 2% With ELV Dimming 120-277V In 450mA Out Listed with CA Title 24 JA8	2798 2700K 98 CRI 1400 Lumens R9 93	12°	FB (Standard) Focused Light Border	PF Plaster Flush Trim Flange	OST Overlap Slot Trim 20° - 45° Tilt	SH Extra Shutter (1)	
		LM4D eldoLED SOL.Odrive 4 Wire Driver Digitally Addressable Dimming Control Dali-2® Dimmable 0.1% 120V-277V In 450mA Out Listed with CA Title 24 JA8	3098 (Standard Chip) 3000K 98 CRI 1500 Lumens R9 88	25°	FI Fade in® Light Border	AF Aluminum Flush Trim Flange	OPT Overlap Pinhole Trim 0° - 30° Tilt	MK Light Mask Kit (Fade In Required)	
		LM4P Philips Xitanium 4 Wire Driver 0-10V Dimmable 1% 120-277V In 450mA Out Use Linear Dimming Not Listed with CA Title 24 JA8	2790 (Special Order) 2700K 90 CRI 1600 Lumens R9 54	45°		XX No Flush Trim Flange - For Overlap Trim	FST Flush Slot Trim 20° - 45° Tilt	SC Scissors	
		Contact Wendel for Lutron® Drivers	3090 (Special Order) 3000K 90 CRI 1700 Lumens R9 60	60°			FPT Flush Pinhole Trim 0° - 30° Tilt	UV Ultraviolet Blocking Lens	
		LM2L LTEA Tu-Wire® NOT JA8		90°				1F 100 Kelvin Warming Filter 39mm Diameter	
		LM4L EcoSystem® 4 Wire JA8							

Color Filter Options: Additional 39mm Diameter Dichroic Color Filters Available Through Rosco

Philips and Xitanium are Trademarks of Signify

Lutron, Hi-lume, Tu-Wire, and EcoSystem are Trademarks of Lutron Electronics Co., Inc.

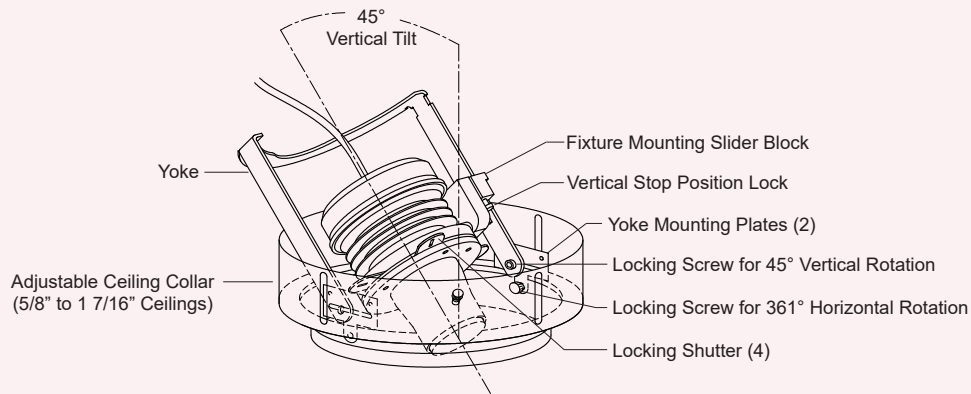
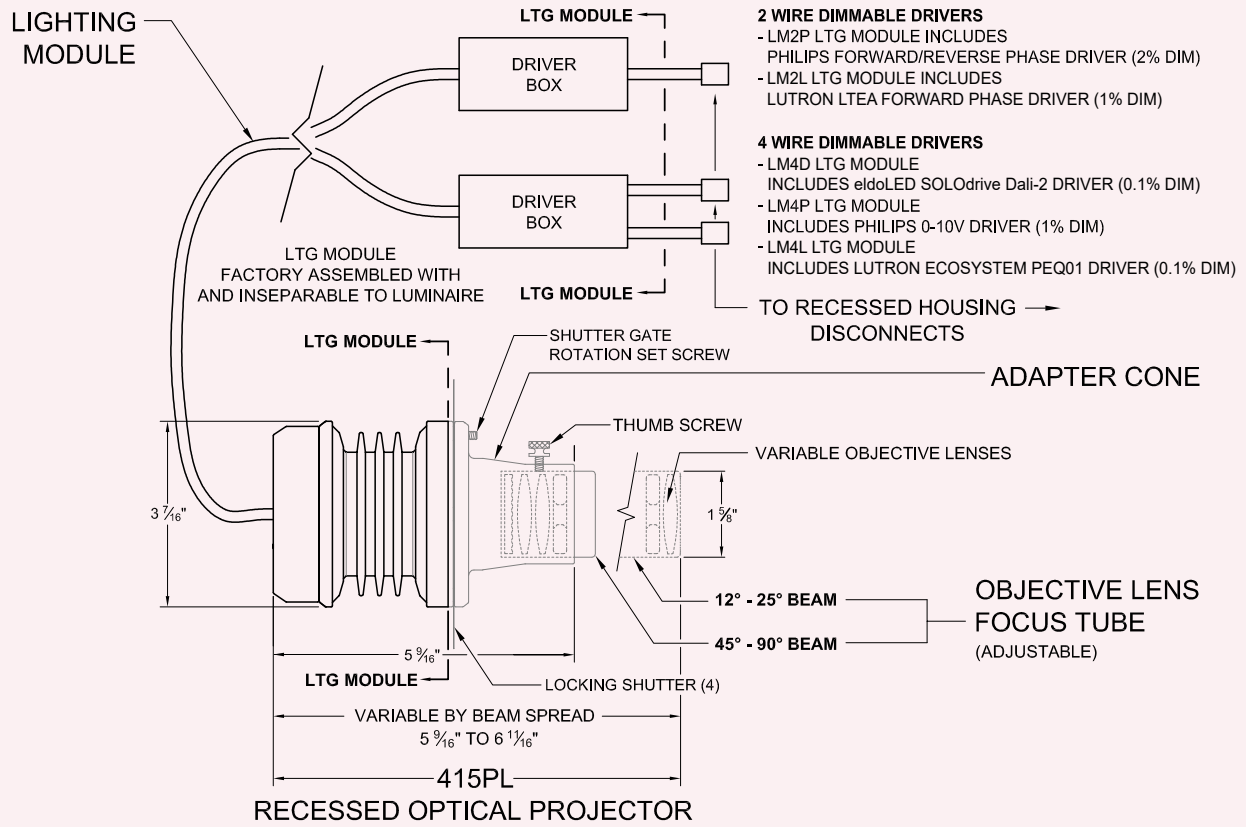
Dali-2® is a Registered Trademark of the Digital Illumination Interface Alliance

WENDELIGHTING / DIVISION OF JACKSEN INTERNATIONAL LTD. - P.O. BOX 337 - 363 BELL STREET - LOS ALAMOS, CALIFORNIA 93440
(800) 528-0101 Fax (626) 303-0046 www.wendelighting.com e-mail: info@wendelighting.com

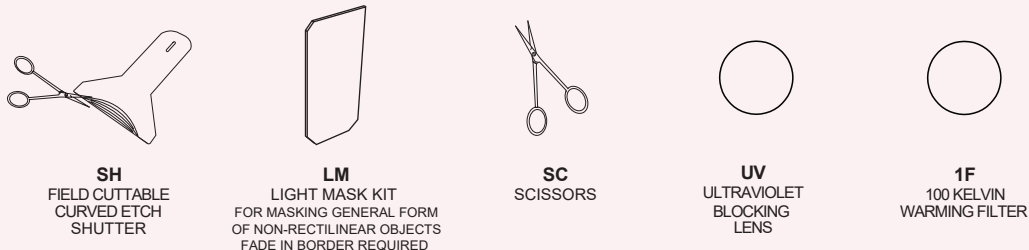
WENDELIGHTING reserves the right to make changes without notice

Copyright © 2026 Jacksen International, Ltd. All rights reserved

Wendel® 415PL Recessed Optical Projector LED



LIGHT CONTROL ACCESSORIES



HOW TO SPECIFY

To specify, please visit www.wendelighting.com/art-light-worksheets/ complete the appropriate Art Lighting Worksheet and forward the completed worksheet to our staff members at info@wendelighting.com.

WENDELIGHTING®



The name Wendelighting is a registered trademark to Jacksen International Ltd., Monrovia, California. The name encompasses Wendel® and Wenlux® as well as other types of Wendel/Wenlux lighting fixtures for both interior and exterior use.

DIVISION OF JACKSEN INTERNATIONAL LTD

WENDELIGHTING reserves the right to make changes without notice
Copyright © 2026 Jacksen International, Ltd. All rights reserved

Wendel® 415PL Recessed Optical Projector LED

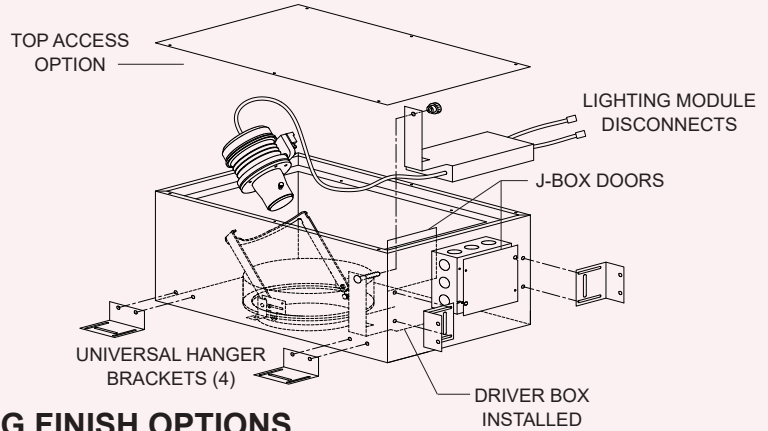
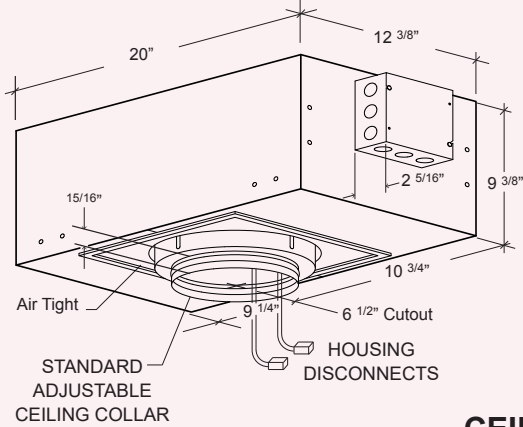
415HICL - LED RECESSED HOUSING

INSULATION CONTACT / AIR TIGHT

ALUMINUM - BLACK INTERIOR - STAINLESS HANGER BRACKETS

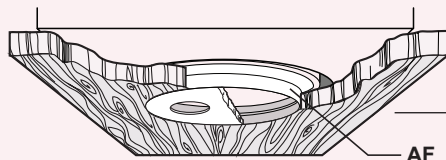
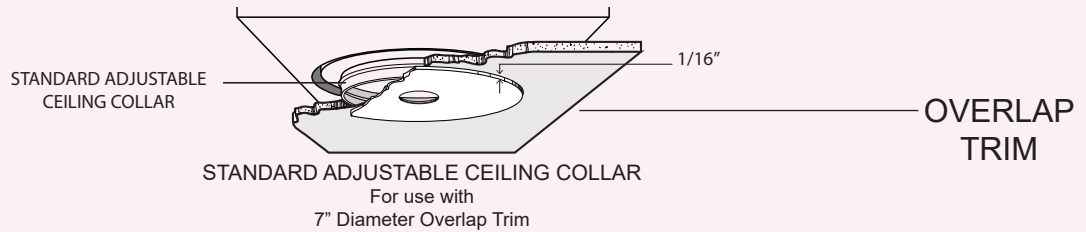
ATTIC AND BUILDING ENVELOPE INSTALLATION

MINIMUM R38 INSULATION SURROUNDING AND COVERING RECESSED HOUSING REQUIRED FOR LED ASSEMBLY LIFE

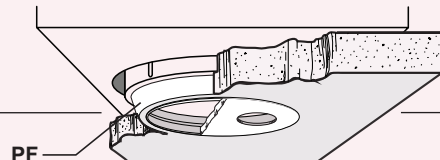


CEILING FINISH OPTIONS

OVERLAP - FLUSH

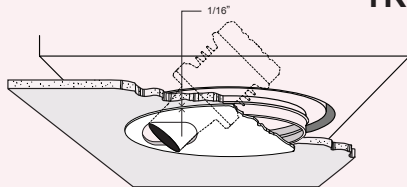


SOLID CEILING
AF
ALUMINUM FLUSH TRIM FLANGE
Accessory For 6 1/2" Diameter Flush Trims



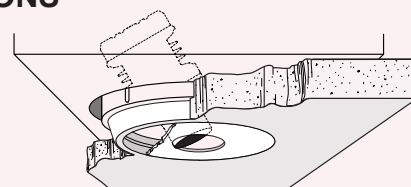
PLASTER / STUCCO / DRYWALL CEILING
PF
PLASTER FLUSH TRIM FLANGE
Accessory For 6 1/2" Diameter Flush Trims

TRIM OPTIONS



SLOT TRIMS
20° - 45° TILT
SHOWN OVERLAP

OST - OVERLAP SLOT TRIM 7" Dia (2" X 2 9/16" Slot)
FST - FLUSH SLOT TRIM 6 1/2" Dia (2" X 2 9/16" Slot)



PINHOLE TRIMS
0° - 30° TILT
SHOWN FLUSH

OPT - OVERLAP PINHOLE TRIM 7" Dia (2" Pin)
FPT - FLUSH PINHOLE TRIM 6 1/2" Dia (2" Pin)

FLUSH TRIMS REQUIRE 415HIC RECESSED HOUSING ORDERED W/ FLUSH TRIM FLANGE ACCESSORY

HOW TO SPECIFY

To specify, please visit www.wendelighting.com/art-light-worksheets/ complete the appropriate Art Lighting Worksheet and forward the completed worksheet to our staff members at info@wendelighting.com.

WENDELIGHTING®



The name Wendelighting is a registered trademark to Jacksen International Ltd., Monrovia, California. The name encompasses Wendel® and Wenlux® as well as other types of Wendel/Wenlux lighting fixtures for both interior and exterior use.

DIVISION OF JACKSEN INTERNATIONAL LTD

WENDELIGHTING reserves the right to make changes without notice
Copyright © 2026 Jacksen International, Ltd. All rights reserved