

WENDELIGHTING®

DIVISION OF JACKSEN INTERNATIONAL LTD

Wenlux® Model 415P
Optical Framing Projector

The Wenlux® Optical Framing Projector provides the designer with a recessed light shaping projector that delivers a variety of illumination options for fine art and furnishings that can be installed and adjusted with ease.

The Wenlux projector combines an optical system including precision ground lenses and independent locking light mask shutters for a secure, field cuttable, exacting Sharp Focus Light Border. For a Soft Focus Border, Wendel's® optional Fade In® technology utilizes a diffusion system, to easily create a four sided, loosely conforming light, shaped to the area of interest. Variable optics change light spread to highlight subjects of many sizes and distances.

The Wenlux projector incorporates a bright, energy-efficient light source, convection cooling and a rigid fastening system securely positioned to ensure continual performance. The Projector is removable for bottom relamping and snaps back into its original position without changing focus using a positive twist to stop, spring-loaded locking system.



Patents 6,612,0761 B2 and 9,458,999 B2
Wendelighting reserves the right to make changes without notice.

Model 415P

STANDARD SPECIFICATIONS

Applications: Paintings, Sculpture, and Furnishings
Power: 12 Volt Transformer in Recessed Housing
Shutters: Hot Aiming - Field Cuttable - Etched Curves - Brass Alloy Shim
Variable Optics: Standard Three 76 FL Lenses 36° - 46° / Accessories 16° - 60°
Projector Body: Aluminum
Mounting: Adjustable Locking Crossmember to Yoke
Relamping: Top or Bottom Access Does Not Change Focus
Weight: 2.8 lbs.
Listings: UL / CUL - Damp Location
Horizontal Rotation: Full 360° +
Vertical Tilt: 0° - 45° Limited by Trim Type

Trim Specification	Flush	Overlap
	- FST: Flush Slot Trim	- OST: Overlap Slot Trim
	- FPT: Flush Pinhole Trim	- OPT: Overlap Pinhole Trim
	Aluminum Finished White (Field Paintable) Retained by Spring Clips	

Lamp Options**
(As of Aug. 2019)

Philips® 45 MRC16/IRC/NFL24° ***
 Ushio® JR12V-50W/NFL/FG/IR 25° ***
 Sylvania® 50MR16/IR/NFL25° ***
 Ushio® 1004958 MR16 LED Retrofit

For CA Title 24 JA8-2016-E Residential Lighting Requirement
 Will not deliver foot candle levels shown below.
 Requires Fade In® Accessory *

DIAMETER OF SPOT AND FOOT CANDLES DATA (PHILIPS 45MR16 IR)

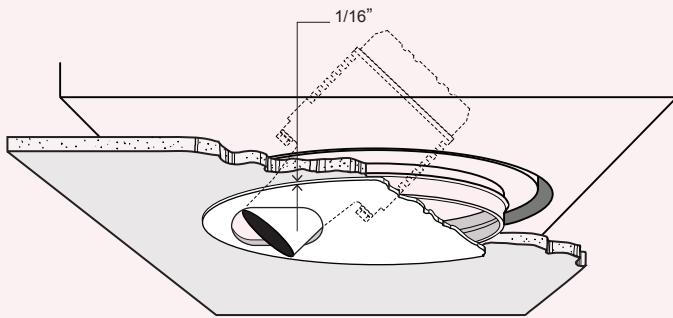
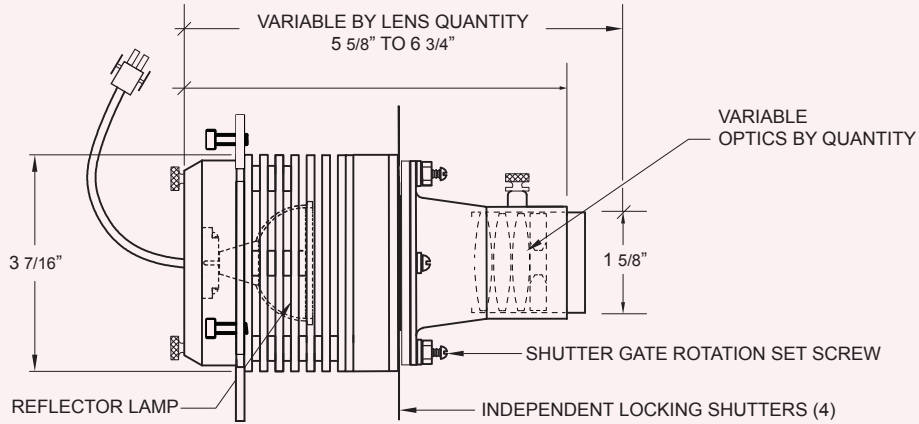
Distance to Object		1'		2'		3'		4'		5'		6'		7'		8'		9'		10'		Spread
Application	76 FL Objective Lens Quantity	Size of Spot	Foot Cand.	Size of Spot	Foot Cand.	Size of Spot	Foot Cand.	Size of Spot	Foot Cand.	Size of Spot	Foot Cand.	Size of Spot	Foot Cand.	Size of Spot	Foot Cand.	Size of Spot	Foot Cand.	Size of Spot	Foot Cand.	Size of Spot	Foot Cand.	Near Uniform Area
Narrow Beam*	1	3"	2300	6"	730	9"	360	13"	205	16"	130	19"	90	22"	65	26"	50	29"	38	32"	33	16**
Medium Beam	2	7"	1500	15"	490	22"	220	30"	125	38"	73	45"	53	53"	37	61"	29	69"	21	76"	19	36°
Wide Beam	3	9"	630	19"	260	30"	105	40"	58	50"	37	60"	24	70"	19	80"	15	90"	12	100"	10	46°
Very Wide Beam	4	13"	60	27"	195	41"	73	54"	43	69"	26	82"	18	95"	14	109"	11	123"	9	137"	7	60**

*Accessory Required

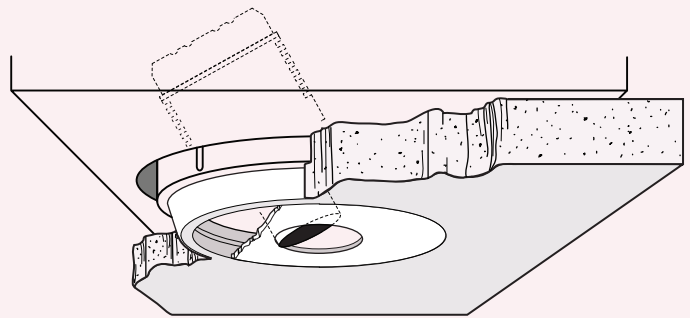
**Lamp Options Subject to Availability

***Not Compliant with CA Title 20
See wendelighting.com/resources

Wenlux® Model 415P



SLOT TRIMS
20° - 45° TILT
SHOWN OVERLAP



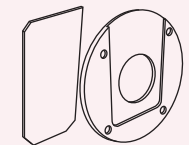
PINHOLE TRIMS
0° - 30° TILT
SHOWN FLUSH

OST - OVERLAP SLOT TRIM 7" Dia (2" X 2 9/16" Slot)
FST - FLUSH SLOT TRIM 6 1/2" Dia (2" X 2 9/16" Slot)

FPT - FLUSH PINHOLE TRIM 6 1/2" Dia (2" Pin)
OPT - OVERLAP PINHOLE TRIM 7" Dia (2" Pin)

FLUSH TRIMS REQUIRE 415HIC RECESSED HOUSING ORDERED W/ FLUSH TRIM FLANGE ACCESSORY

ACCESSORIES



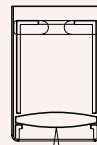
LM
LIGHT MASK
PLATE GATE KIT
FOR NON-RECTILINEAR
OBJECTS



SCR
SCISSORS



76 FL
ADDITIONAL
76FL LENS
FOR
60°



NB16
NARROW BEAM
OBJECTIVE CONE
ASSEMBLY FOR
16°



FI
FADE IN®
SOFTENING LENS



UV
ULTRAVIOLET
BLOCKING
LENS

PATENT 6,612,0761B2

HOW TO SPECIFY

To specify, please visit www.wendelighting.com/worksheets.htm, complete the appropriate projector worksheet and forward the completed worksheet to our staff members, info@wendelighting.com.

The name Wendelighting is registered to Jacksen International Ltd., Monrovia, California. The name encompasses Wendel® and Wenlux® optical projectors as well as other types of Wendel/Wenlux lighting fixtures for both interior and exterior use.



WENDELIGHTING®

DIVISION OF JACKSEN INTERNATIONAL LTD