

WENDELIGHTING®

DIVISION OF JACKSEN INTERNATIONAL LTD

Wenlux® 415HIC
Recessed Housing

The Wenlux® Recessed Housing provides multi-function fine lighting flexibility. Options include the renowned Wenlux Framing Projector, Accent Light and Wash Light. The Adjustable Ceiling Collar accommodates ceiling thicknesses ranging from 5/8" to 1 7/16". Accessory flush trim flanges are available for a seamless, flush to ceiling, field-paintable trim finish.

The housing provides top or bottom re-lamping access. Each housing comes prewired with quick disconnects to modular components. Each complies with Air Tight requirements and is listed by Underwriter Laboratories for direct insulation contact. Universal mounting brackets are included for new construction, existing top access construction, framing light, accenting or washing.

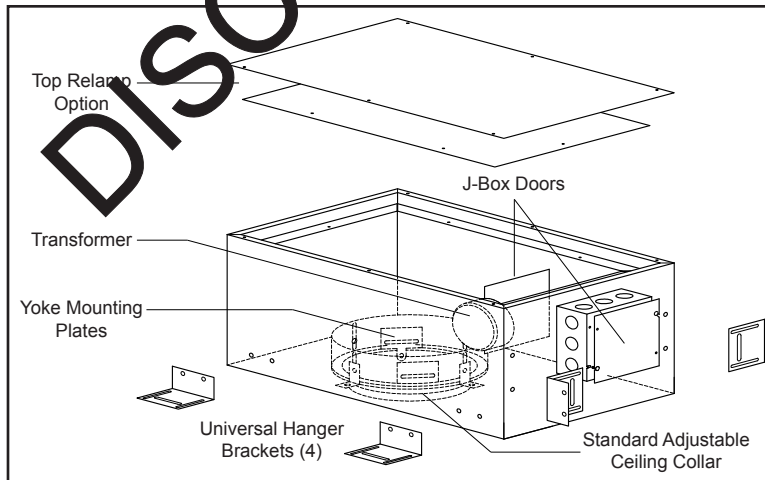
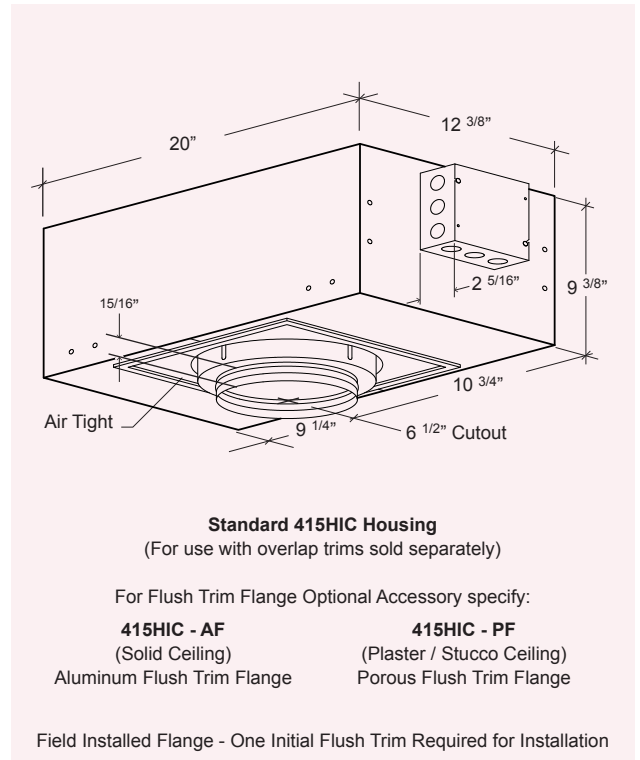
A quiet toroidal transformer delivers stable, near 12 Volt power using dimmed or switched quick disconnect taps. Up to 50 Watt IR Lamps having 75 Watt performance are compatible in this energy efficient Recessed Housing.

How to Specify

Refer to Recess Housing Placement sheets to determine Projector or Wash Light Locations. For Specification assistance, call or email info@wendelighting.com. Staff members are also available for jobsite consultation on a fee basis to assist in Wendel® product specification.

Patent 6,612,0761B2

Wendelighting reserves the right to make changes without notice.



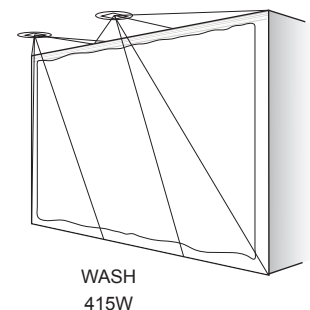
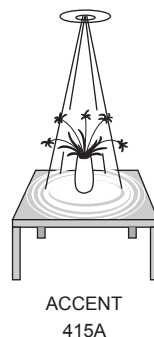
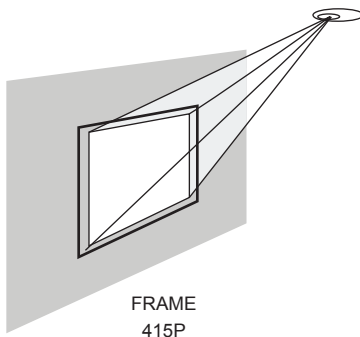
STANDARD SPECIFICATIONS

- Applications:** Housing for Framing Projector, Accent, Wash
- Transformer:** 12 Volt Toroidal (Magnetic)
- Power:** 120 VAC
- Lamping:** 50 Watt MR16 IR Maximum
- Weight:** 17 lbs.
- Housing:** Formed Aluminum
- Mounting:** Universal Hanger Brackets Rigid to Construction
- Relamping:** Top Access Panel and Bottom Trim Plate
- Listing:** UL / CUL Damp Location
Type IC / Air Tight - Thermally Protected
Feed Through Wiring

Optional Ceiling Finish and Accessories

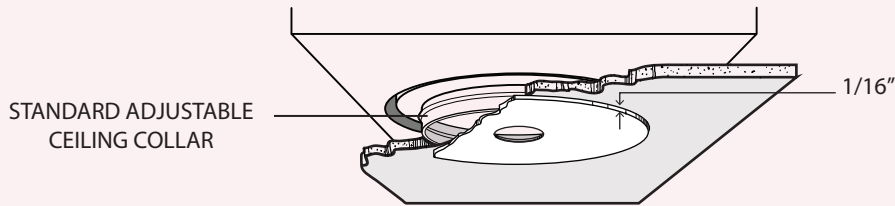
- AF:** Solid Ceiling Flush Trim Flange (Aluminum)
- PF:** Plaster / Stucco Ceiling Flush Trim Flange (Porous)

Fine Lighting Options (Sold Separately)

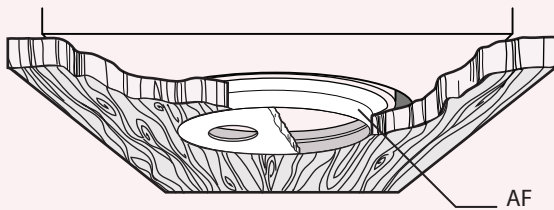


Wenlux® 415HIC Recessed Housing Options

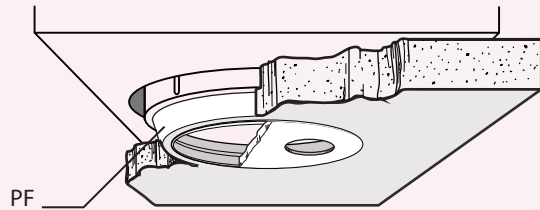
CEILING FINISH OPTIONS FOR 5/8" TO 1 7/16" CEILING THICKNESS



STANDARD ADJUSTABLE CEILING COLLAR
For 7" Diameter Overlap Trim



SOLID CEILING
AF
ALUMINUM FLANGE
Optional Flush Trim Flange Accessory
For 6 1/2" Diameter Flush Trim

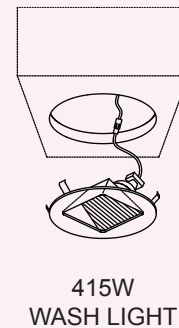
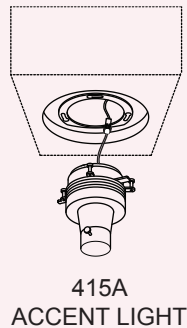
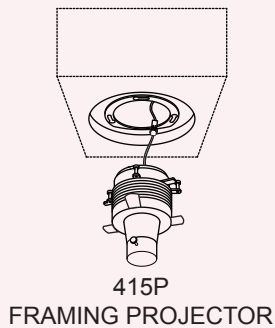


PLASTER / STUCCO CEILING
PF
POROUS FLANGE
Optional Flush Trim Flange Accessory
For 6 1/2" Diameter Flush Trim

Field Installed Flange - One Initial Flush Trim Required For Installation

LUMINAIRE OPTIONS

(Trims, Flanges and Luminaire Options Sold Separately)



Patent 6,612,0761B2

The name Wendelighting is registered to Jacksen International Ltd., Monrovia, California. The name encompasses Wendel® and Wenlux® optical projectors as well as other types of Wendel/Wenlux lighting fixtures for both interior and exterior use.



WENDELIGHTING®

DIVISION OF JACKSEN INTERNATIONAL LTD