

WENDELIGHTING®

DIVISION OF JACKSEN INTERNATIONAL LTD

Wenlux® 415AL
Recessed Accent Light
LED

The Wenlux® 415AL Recessed Accent Light is factory installed into an insulation contact / air tight recessed housing. A white high color rendering LED light was discriminately selected to enhance fine art and furnishings.

The inseparable Wenlux LM2 (2 wire) and LM4 (4 wire) Lighting Modules are separable from the recessed housing by disconnects. The LM Lighting Modules include the driver, LED Chip, proprietary optics and cooling system. Lighting Modules are assembled with the Accent Light (Adapter Cone) to which a series of Lens Holder Tubes with spherical lenses are positioned within to optically control variable beam spreads. The Luminaire's beam spreads can be further altered using a series of Light Control Accessories. Multiple Light Control Accessories can be positioned within the rotational Lens Holder Cone.

Wenlux provides rotational adjustment using lockable fastening systems. A dual heat sink technology delivers optimum LED cooling. The Recessed Housing's adjustable Ceiling Collar accommodates ceiling thickness from 5/8" to 1 7/16". Accessory flush trim flanges are available for a seamless, flush to ceiling, field-paintable trim.

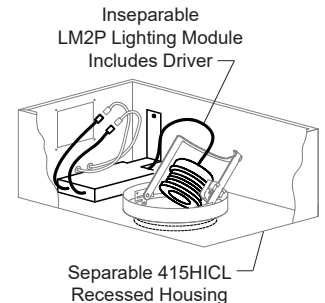


Patent 6,612,0761B2

Wendelighting reserves the right to make changes without notice.

LM2P LIGHTING MODULE SPECIFICATIONS (CA T24-JA8)

- Power:** 120/277 VAC Input - 20 Watts
Driver/LED: LM2P with 2790 Chip and Primary Optics JA8 Tested - 1300 Lumens @ 500mA (for tested life) - 67 Lumens/Watt (Estimated 1200 Lumens @ 450mA) JA8 Allowance on all LED Chip Options
Optics: Proprietary
Luminaire: Aluminum
Dimmer: 2 Wire Forward / Reverse Phase
Mounting: Adjustable Locking Crossmember to Yoke
Rotation: 0° - 45° Vertical Tilt / 361° Horizontal Rotation
Listings: - UL / CUL - Damp Location - Type IC / Air Tight - Feed Through Wiring - Class 1 Wiring Required - Thermal Foldback Protection - California Title 24 Residential Lighting JA8 Recessed Tested Listing (See wendelighting.com/resources)



RECESSED ACCENT LIGHT OPTIONS

415HICL -	415AL -	LM	LED Chip Options (By Driver Type)	Optical Lens Holder Tube (Spread):	Flush Trim Flange:	Trim Options:	Light Control Accessories:
Recessed 415HICL LED Recessed Housing	Adapter Cone: Accent Light	Lighting Module: (By Driver Type) LM2P (Standard) Philips Xitanium 2 Wire Driver Hybrid Forward / Reverse Phase Dimmable 2% With ELV Dimming 120-277V In 450mA Out Listed with CA Title 24 JA8 LM4D eldoLED SQLdrive 4 Wire Driver Digitally Addressable Dimming Control Dali-2® Dimmable 0.1% 120V-277V In 450mA Out Listed with CA Title 24 JA8 LM4P Philips Xitanium 4 Wire Driver 0-10V Dimmable 1% 120-277V In 450mA Out Use Linear Dimming Not Listed with CA Title 24 JA8 Contact Wendel for Lutron® Drivers LM2L LITEA Tu-Wire® NOT JA8 LM4L EcoSystem® 4 Wire JA8	2798 2700K 98 CRI 1400 Lumens R9 93 3098 (Standard Chip) 3000K 98 CRI 1500 Lumens R9 88 2790 (Special Order) 2700K 90 CRI 1600 Lumens R9 54 3090 (Special Order) 3000K 90 CRI 1700 Lumens R9 60	NBS 14° - 28° MBS 30° - 40° WBS 50° VWB 63°	PF Plaster Flush Trim Flange AF Aluminum Flush Trim Flange XX No Flush Trim Flange - For Overlap Trim	OST Overlap Slot Trim 20° - 45° Tilt OPT Overlap Pinhole Trim 0° - 30° Tilt FST Flush Slot Trim 20° - 45° Tilt FPT Flush Pinhole Trim 0° - 30° Tilt	FI Fade In® 0° Softening Lens SF 14° Soft Focus Lens SL 28° Spread Lens RL 0° x 48° Rectilinear Lens HL Hexcell Louver 1F 100 Kelvin Warming Filter 39mm Diameter

Color Filter Options: Additional 39mm Diameter Dichroic Color Filters Available Through Rosco

Philips and Xitanium are Trademarks of Signify

Lutron, Hi-lume, Tu-Wire, and EcoSystem are Trademarks of Lutron Electronics Co., Inc.

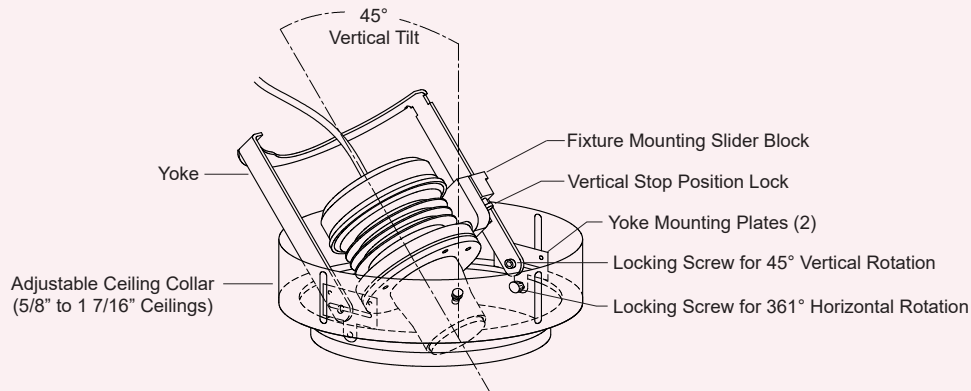
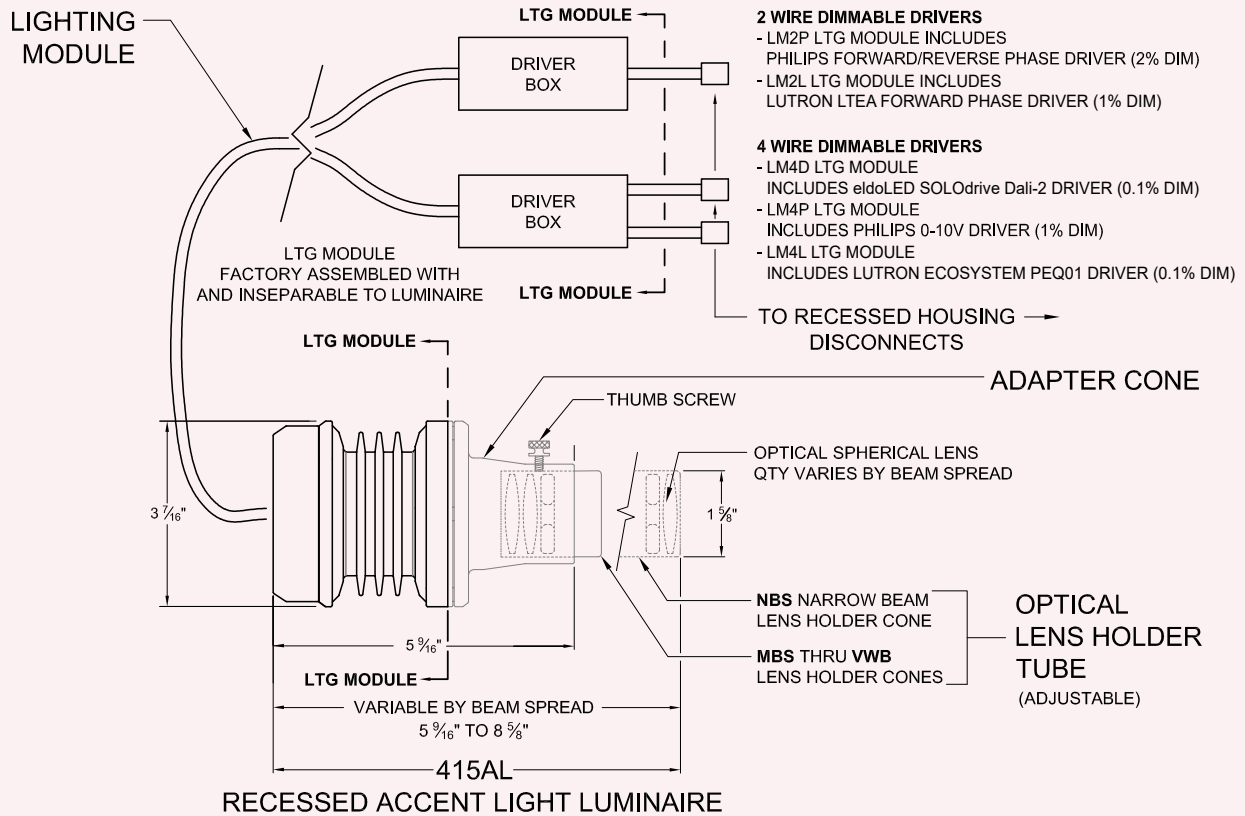
Dali-2® is a Registered Trademark of the Digital Illumination Interface Alliance

WENDELIGHTING / DIVISION OF JACKSEN INTERNATIONAL LTD. - P.O. BOX 337 - 363 BELL STREET - LOS ALAMOS, CALIFORNIA 93440
 (800) 528-0101 Fax (626) 303-0046 www.wendelighting.com e-mail: info@wendelighting.com

WENDELIGHTING reserves the right to make changes without notice

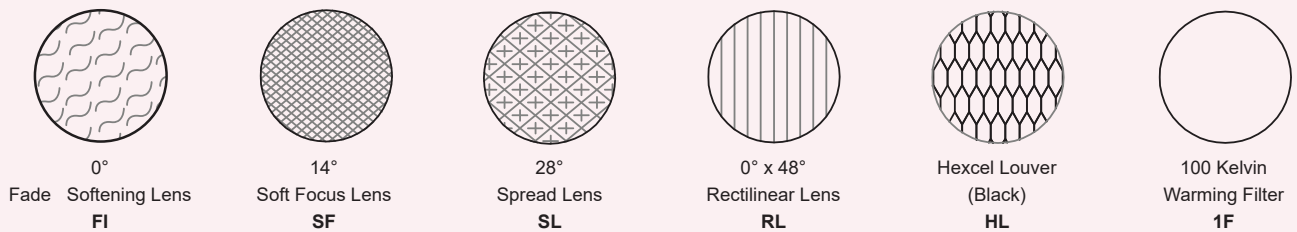
Copyright © 2026 Jacksen International, Ltd. All rights reserved

Wenlux® 415AL Recessed Accent Light LED



LIGHT CONTROL ACCESSORIES

Degrees shown are approximate on a NBS Cone. Results may vary substantially using wider MBS thru VWB beam spread Cones.



HOW TO SPECIFY

To specify, please visit www.wendelighting.com/art-light-worksheets/ complete the appropriate Art Lighting Worksheet and forward the completed worksheet to our staff members at info@wendelighting.com.

WENDELIGHTING®



The name Wendelighting is a registered trademark to Jacksen International Ltd., Monrovia, California. The name encompasses Wendel® and Wenlux® optical projectors as well as other types of Wendel/Wenlux lighting fixtures for both interior and exterior use.

DIVISION OF JACKSEN INTERNATIONAL LTD

WENDELIGHTING reserves the right to make changes without notice
Copyright © 2026 Jacksen International, Ltd. All rights reserved

Wenlux® 415AL Recessed Accent Light LED

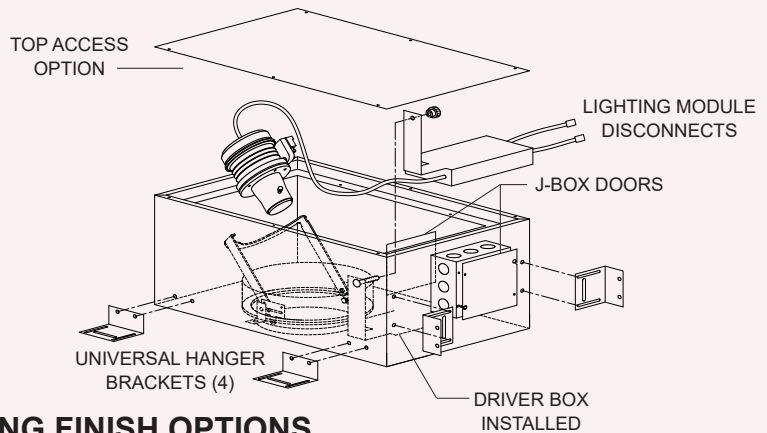
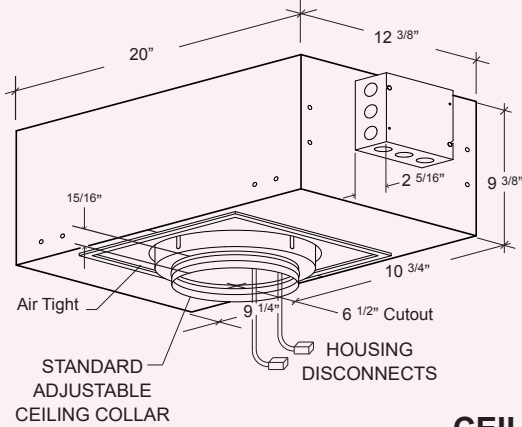
415HICL - LED RECESSED HOUSING

INSULATION CONTACT / AIR TIGHT

ALUMINUM - BLACK INTERIOR - STAINLESS HANGER BRACKETS

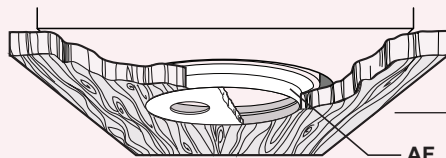
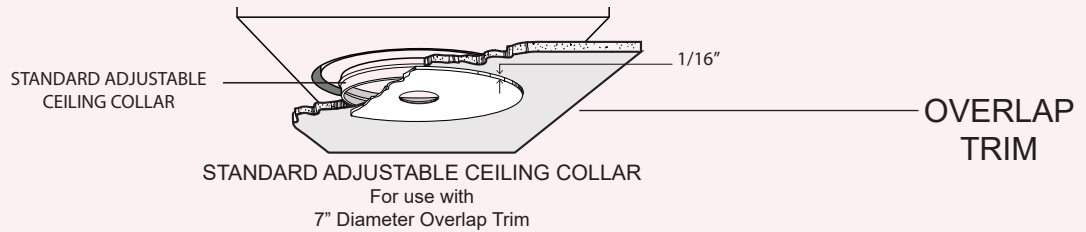
ATTIC AND BUILDING ENVELOPE INSTALLATION

MINIMUM R38 INSULATION SURROUNDING AND COVERING RECESSED HOUSING REQUIRED FOR LED ASSEMBLY LIFE

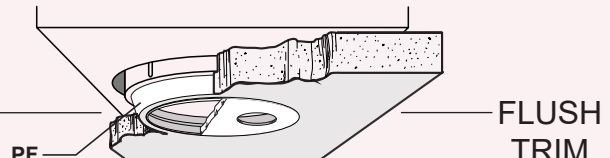


CEILING FINISH OPTIONS

OVERLAP - FLUSH

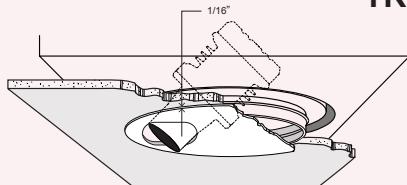


SOLID CEILING
AF
ALUMINUM FLUSH TRIM FLANGE
Accessory For 6 1/2" Diameter Flush Trims



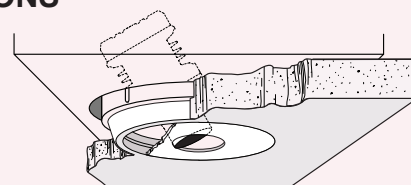
PLASTER / STUCCO / DRYWALL CEILING
PF
PLASTER FLUSH TRIM FLANGE
Accessory For 6 1/2" Diameter Flush Trims

TRIM OPTIONS



SLOT TRIMS
20° - 45° TILT
SHOWN OVERLAP

OST - OVERLAP SLOT TRIM 7" Dia (2" X 2 9/16" Slot)
FST - FLUSH SLOT TRIM 6 1/2" Dia (2" X 2 9/16" Slot)



PINHOLE TRIMS
0° - 30° TILT
SHOWN FLUSH

OPT - OVERLAP PINHOLE TRIM 7" Dia (2" Pin)
FPT - FLUSH PINHOLE TRIM 6 1/2" Dia (2" Pin)

FLUSH TRIMS REQUIRE 415HIC RECESSED HOUSING ORDERED W/ FLUSH TRIM FLANGE ACCESSORY

HOW TO SPECIFY

To specify, please visit www.wendelighting.com/art-light-worksheets/ complete the appropriate Art Lighting Worksheet and forward the completed worksheet to our staff members at info@wendelighting.com.

WENDELIGHTING®



The name Wendelighting is a registered trademark to Jacksen International Ltd., Monrovia, California. The name encompasses Wendel® and Wenlux® optical projectors as well as other types of Wendel/Wenlux lighting fixtures for both interior and exterior use.

DIVISION OF JACKSEN INTERNATIONAL LTD

WENDELIGHTING reserves the right to make changes without notice
Copyright © 2026 Jacksen International, Ltd. All rights reserved