

# WENDELIGHTING®

DIVISION OF JACKSEN INTERNATIONAL LTD

Wenlux® Model 415A  
Recessed Accent Light

The Wenlux® Model 415 Accent Light provides the designer with a recessed luminaire for highlighting fine art and furniture that can be installed and adjusted with ease. Final adjustment light control is far beyond what the MR16 light source can achieve on its own.

Wenlux 415A accepts a wide range of energy efficient MR16 IR lamps with beam spreads that are further altered by a series of light control accessories. Lenses are positioned within a rotational lens holder cone with virtually no limit to the quantity of accessory lenses. Our unique 0° Softening Lens is optional and a Narrow Beam Holder Cone is available to choke stray light for an incredibly tight illumination.

The Wenlux Luminaire incorporates a bright, energy-efficient light source, convection cooling and a rigid fastening system securely positioned to ensure continual performance. The Luminaire is removable for bottom relamping and snaps back into its original position without changing focus using a positive twist to stop, spring-loaded locking system.



Patent 6,612,0761 B2 - Additional Patents Pending  
Wendelighting reserves the right to make changes without notice.

**Model 415A**

### STANDARD SPECIFICATIONS

**Applications:** Accent Illumination  
**Power:** 12 Volt Transformer in Recessed Housing  
**Lens:** 14° Softening Lens  
**Body:** Aluminum  
**Mounting:** Adjustable Locking Crossmember to Yoke  
**Relamping:** Top or Bottom Access Does Not Change Focus  
**Weight:** 1.5 lbs.  
**Listings:** UL / CUL - Damp Location  
**Horizontal Rotation:** Full 360° +  
**Vertical Tilt:** 0° - 45° Limited by Trim Type  
**Accessories:** - See Light Control Accessories Below  
 - Standard MR16 1.9" Dia. UV or Color Filter by Others

Trim Specification	Flush	Overlap
- FST: Flush Slot Trim	- OST: Overlap Slot Trim	
- FPT: Flush Pinhole Trim	- OPT: Overlap Pinhole Trim	
Aluminum Finished White (Field Paintable) Retained by Spring Clips		

**Lamp Options**  
(As of Jan. 2018)

Philips® IR - Sylvania® IR - Ushio® IR (50 Watt MR16 IR MAX) \*  
 Sora® MR16 LED Lamp marked JA8-2016-E \*\*  
For CA Title 24 JA8-2016-E Residential Lighting Requirement

---

### LIGHT CONTROL ACCESSORIES

Degrees shown are approximate based on a 10° NSP lamp. Results may vary substantially using wider beam spread lamps.

4° Reducing Choke  
Narrow Beam Holder Cone

Fade In  
0°  
Softening Lens

Standard  
14°  
Softening Lens

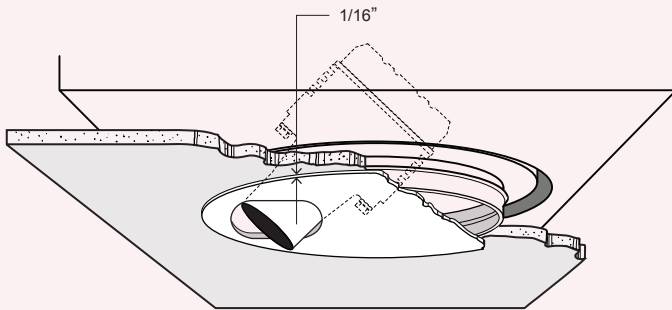
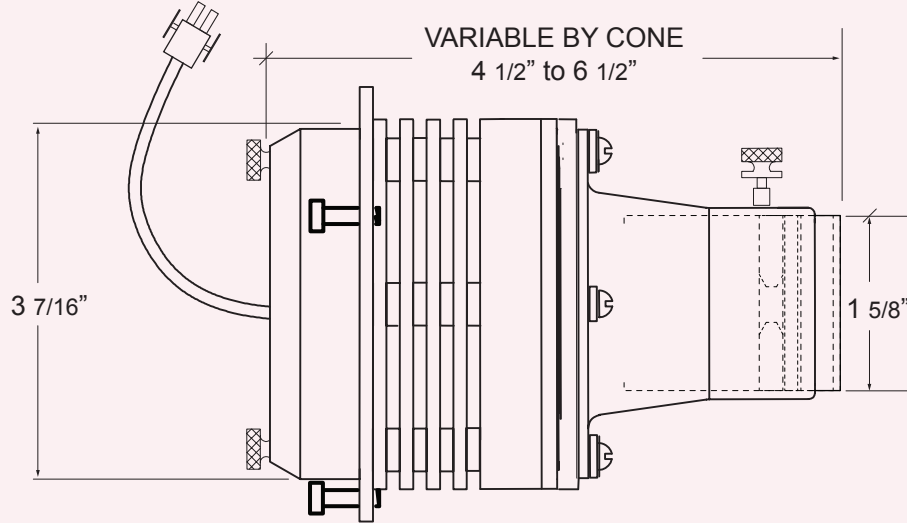
28°  
Softening Lens

0° x 48°  
Rectilinear Lens

Hexcel Louver  
Black

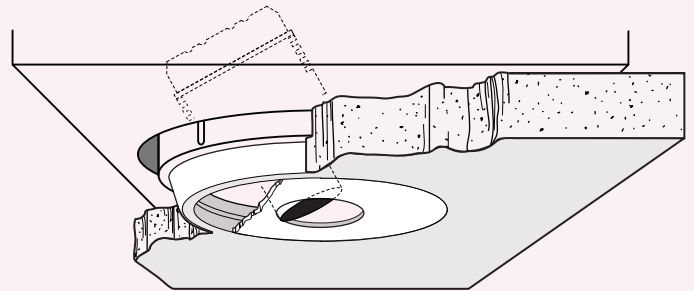
\*Not Compliant with CA Title 20  
 \*\*Limited to Lamps Manufactured Prior to 12/31/17  
 See [wendelighting.com/resources](http://wendelighting.com/resources)

# Wenlux® Model 415A



**SLOT TRIMS**  
20° - 45° TILT  
SHOWN OVERLAP

- OST** - OVERLAP SLOT TRIM 7" Dia (2" X 2 9/16" Slot)
- FST** - FLUSH SLOT TRIM 6 1/2" Dia (2" X 2 9/16" Slot)



**PINHOLE TRIMS**  
0° - 30° TILT  
SHOWN FLUSH

- FPT** - FLUSH PINHOLE TRIM 6 1/2" Dia (2" Pin)
- OPT** - OVERLAP PINHOLE TRIM 7" Dia (2" Pin)

FLUSH TRIMS REQUIRE 415HIC RECESSED HOUSING ORDERED W/ FLUSH TRIM FLANGE ACCESSORY

## HOW TO SPECIFY

To specify, please visit [www.wendelighting.com/worksheets.htm](http://www.wendelighting.com/worksheets.htm), complete the appropriate projector worksheet and forward the completed worksheet to our staff members, [info@wendelighting.com](mailto:info@wendelighting.com).

The name Wendelighting is registered to Jacksen International Ltd., Monrovia, California. The name encompasses Wendel® and Wenlux® optical projectors as well as other types of Wendel/Wenlux lighting fixtures for both interior and exterior use.



# WENDELIGHTING®

DIVISION OF JACKSEN INTERNATIONAL LTD