

WENDELIGHTING®

DIVISION OF JACKSEN INTERNATIONAL LTD

Model 2396P
Metal Halide - Top Access
Recessed Optical Projector

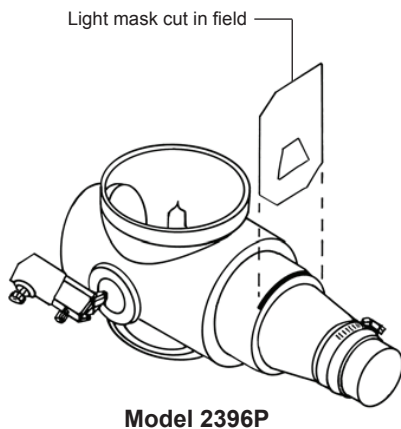
Wendelighting optical projectors offer the architect, lighting engineer and interior designer the ultimate in controlled illumination for interior settings.

For use with Top Access Housings, the Wendel® projector combines a metal halide light source with our optical system of precision ground lenses, reflector, and a unique light masking technique. In addition to three condensing lenses, the projectors are factory assembled with a custom combination of objective lenses to meet the beam spread requirement. The result is a highly intensified light that is artistically confined to the exact area of interest regardless of shape.

Typical applications include: large paintings, sculpture, antiques, religious articles, trophies, furniture and various other architectural focal points. Frequently one projector is used to provide separate light maskings for multiple objects.

Consultations

Jacksen International Ltd. manufactures and offers optional installation for the equipment described in this bulletin. In addition, staff members are available for consultation. For further information, please write or call.



Model 2396P

SPECIFICATIONS

Applications:	Large focal points, paintings, sculpture, corporate logos, gobo patterns, and tables
Power:	120 VAC
Lamp:	Philips CDM 150/T6/830 (12,000 hr. life)
Weight:	9 lbs.
Objective Lenses:	Preset by Factory
Condensing Lens:	3
Spherical Reflector:	1
Construction:	Cast Aluminum
Relamping:	Does not change focus
Listing:	UL - Damp Location - Non IC - Not Air Tight
Accessory:	FADE IN® Optics for a Loosely Conforming Border

DIAMETER OF SPOT AND FOOT CANDLES DATA

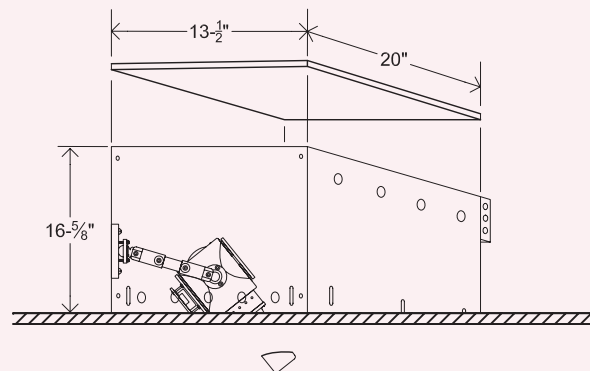
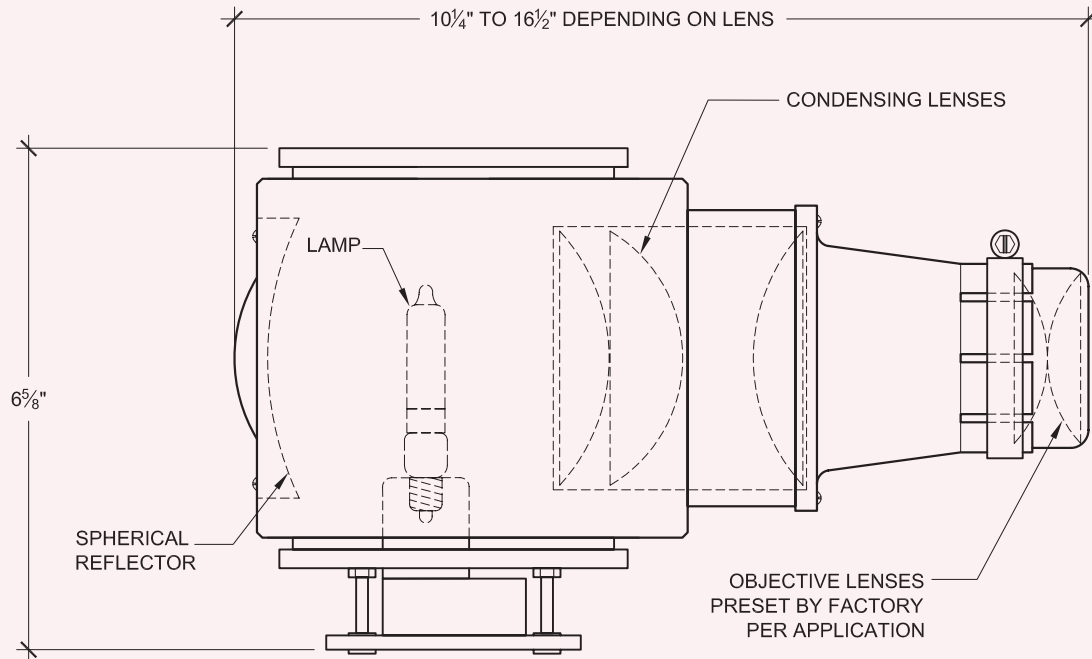
Distance to Object	1'		2'		3'		4'		5'		6'		7'		8'		9'		10'		15'		25'		Spread
Objective Lens FL	Size of Spot	Foot Cand.	Size of Spot	Foot Cand.	Size of Spot	Foot Cand.	Size of Spot	Foot Cand.	Size of Spot	Foot Cand.	Size of Spot	Foot Cand.	Size of Spot	Foot Cand.	Size of Spot	Foot Cand.	Size of Spot	Foot Cand.	Size of Spot	Foot Cand.	Size of Spot	Foot Cand.	Size of Spot	Foot Cand.	Spread of Beam
230	3"		6"		9"		12"		15"		18"		21"		24"		27"		30"		45"		75"		12"
192	4"		8"		12"		16"		20"		24"		28"		32"		36"		40"		60"		100"		18"
96	8"		16"		24"		32"		40"		48"		56"		64"		72"		80"		120"		200"		45"
48	12"		24"		36"		48"		60"		72"		84"		96"		108"		120"		180"		300"		96"

Notes: - Additional diameter of spots are available.
- Wendelighting reserves the right to make changes without notice.

WENDELIGHTING / DIVISION OF JACKSEN INTERNATIONAL LTD. - P.O. BOX 337 - 363 BELL STREET - LOS ALAMOS, CALIFORNIA 93440
(800) 528-0101 Fax (626) 303-0046 www.wendelighting.com e-mail: info@wendelighting.com

Model 2396P

DIMENSIONS



TOP ACCESS HOUSING
SEE 2396MH HOUSING SPECIFICATION SHEETS

HOW TO SPECIFY

To specify, please visit www.wendelighting.com/worksheets.htm, complete the appropriate projector worksheet and forward the completed worksheet to our staff members, info@wendelighting.com.

The name Wendelighting is registered to Jacksen International Ltd., Monrovia, California. The name encompasses Wendel® and Wenlux® optical projectors as well as other types of Wendel/Wenlux lighting fixtures for both interior and exterior use.



WENDELIGHTING®

DIVISION OF JACKSEN INTERNATIONAL LTD