

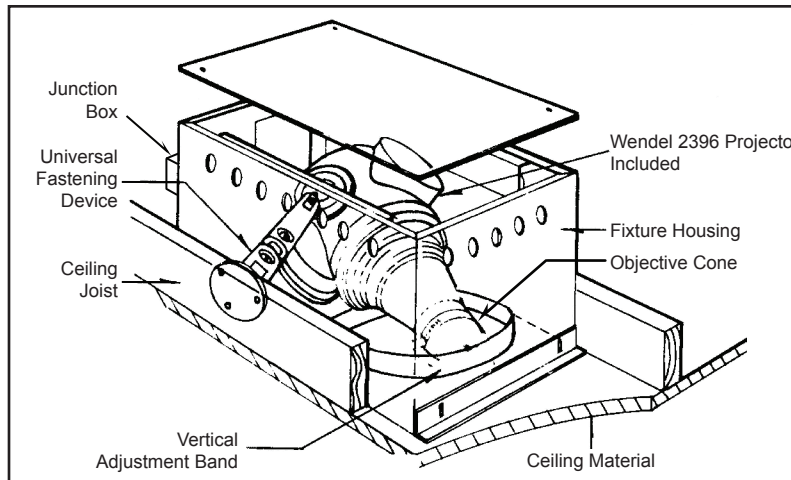
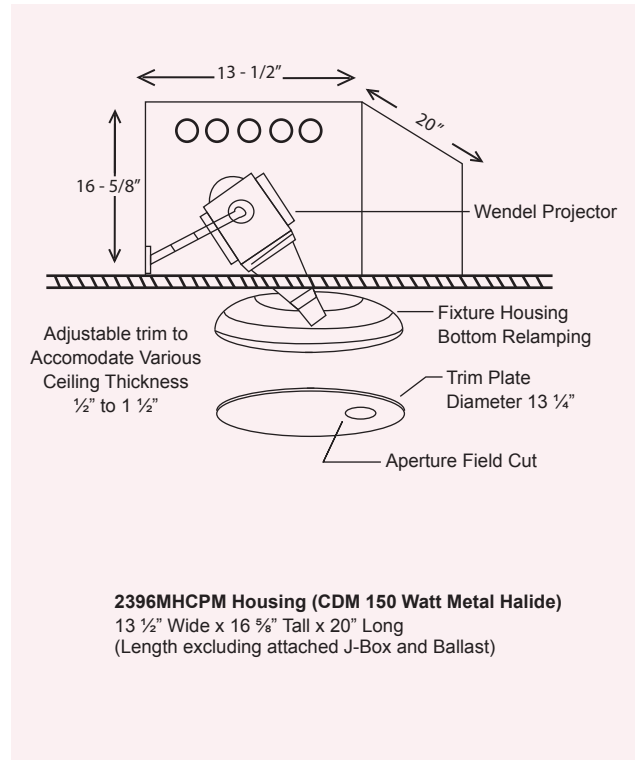
The housing includes a metal halide ballast and provides bottom access to the included Wendel® projector for installation, relamping and focusing. A top access panel provides the option for servicing above ceiling. Each housing comes prewired with a large, accessible junction box. Each complies with Underwriters Laboratory requirements for Non-IC installations.

The trim ring and plate adjust vertically, accommodating plaster ceiling thicknesses ranging from 1/2" to 1 1/2". The trim plate is installed flush to a plaster finish ceiling and field painted to match the ceiling finish. For overlap trim, contact Factory. (Installation Instructions are included with each housing).

Wendel housings are supplied mounting hanger brackets.

How to Specify

Wendelighting shall specify housing locations. Provide Wendelighting with a to-scale Reflected Ceiling Plan and Interior Elevation including art and/or maximum art size, or complete the Wendel Projector Specification Worksheet which can be found at www.wendelighting.com. Staff members are also available for jobsite consultation on a fee basis.



SPECIFICATIONS

Applications:	Plaster Ceilings (Contact Factory for other Types)
Power:	120 VAC
Ballast:	Electronic
Lamping:	150 Watt CDM
Weight:	32 lbs.
Projector:	Refer to Model 2396
Housing:	Die Formed Galvanized Sheet Metal
Housing Interior:	Finished Black
Mounting:	Hanger Brackets Rigid to Construction
Trim Plate:	Steel with Galvanized Paint Lock
Trim Retention:	Rare Earth Magnets
Relamping:	Top Access Panel and Bottom Trim Plate
Listing:	UL Dry Location - Thermally Protected Non IC / Not Air Tight

Approximate Location for the Wendel Projector Housing.
In order to specify the approximate location for a Wendel housing, determine the position of the object to be illuminated and see the following formula:

$$P = W + 1/3A + 3"$$

- P = Distance of Wendel projector to wall
- W = Distance from top of art to ceiling
- A = Height of art
- CL Housing = P + 3" (additional 3")

Forward information to Wendelighting to verify location

