

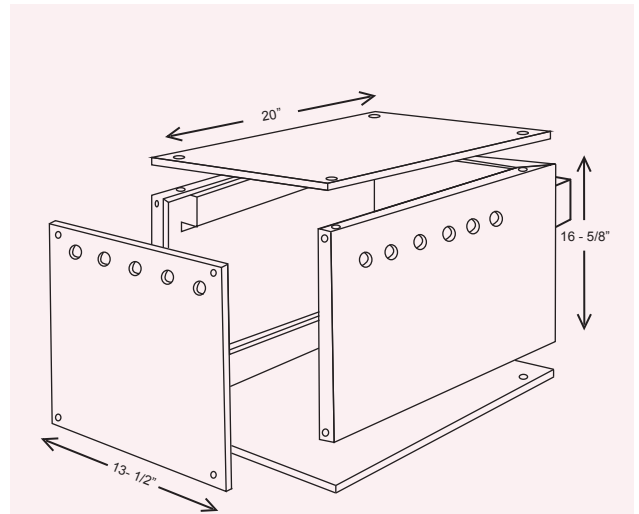
The housing includes a metal halide ballast and provides top access to the included Wendel® projector for installation, relamping and focusing. Servicing from above is required. The bottom of the housing is installed above the ceiling. Each housing comes prewired with a large, accessible junction box. Each complies with Underwriters Laboratory requirements for Non-IC installations.

The Wendel projector's objective cone extends through the ceiling and plaster is applied up to it. The objective cone is field painted to match the ceiling for a near hidden light source.

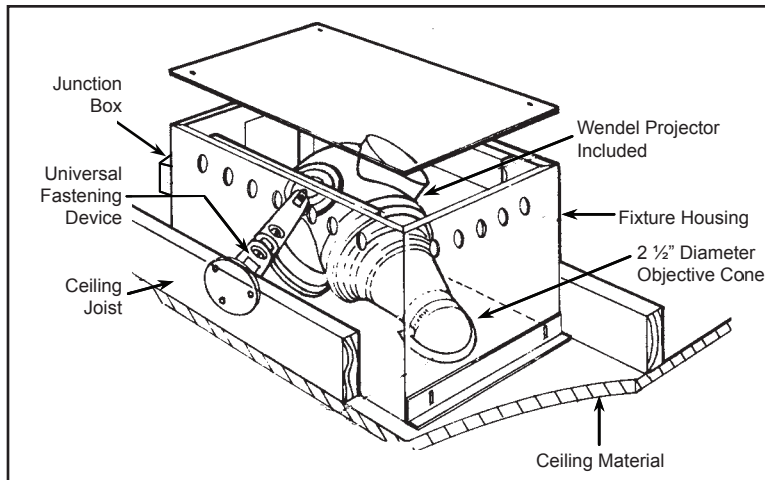
Wendel housings are supplied with mounting hanger brackets.

## How to Specify

Wendelighting shall specify housing locations. Provide Wendelighting with a to scale Reflected Ceiling Plan and Interior Elevation including art and/or maximum art size or complete a Projector Worksheet found at [www.wendelighting.com](http://www.wendelighting.com). Staff members are also available for jobsite consultation on a fee basis.



**2396MH Housing (CDM 150 Watt Metal Halide)**  
13 1/2" Wide x 16 5/8" Tall x 20" Long  
(Length excluding attached J-Box and Ballast)



## SPECIFICATIONS

<b>Applications:</b>	Plaster Ceilings (Contact Factory for other types) Access Above Ceiling Required
<b>Power:</b>	120 VAC Input
<b>Ballast:</b>	Electronic
<b>Lamping:</b>	150 Watt CDM
<b>Weight:</b>	28 lbs.
<b>Projector:</b>	Refer to Model 2396
<b>Housing:</b>	Die Formed Galvanized Sheet Metal
<b>Mounting:</b>	Hanger Brackets Rigid to Construction
<b>Relamping:</b>	Top Access Panel
<b>Listing:</b>	Not Listed - Thermally Protected Non IC / Not Air Tight

Approximate Location for the Wendel Projector Housing.

In order to specify the approximate location for a Wendel housing, determine the position of the object to be illuminated and see the following formula:

$$P = W + 1/3A + 3"$$

P = Distance of Wendel projector to wall  
W = Distance from top of art to ceiling  
A = Height of art  
CL Housing = P + 3" (additional 3")

Forward information to Wendelighting to verify location

