

WENDELIGHTING®

DIVISION OF JACKSEN INTERNATIONAL LTD

Model 2350C
Canopy Mount
Optical Projector

Wendelighting optical projectors offer the architect, lighting engineer and interior designer the ultimate in controlled illumination for interior settings.

The Wendel® projector combines an optical system of precision ground lenses, reflector, and a unique light masking technique. The result is a highly intensified light that is artistically confined to the exact area of interest regardless of shape.

Wendelighting's Model 2350 lighting system provides the specifier an alternative to our recessed attic installed optical projector. The Wendel canopy lighting system includes a sturdy fastening design to provide support to both sides of the projector keeping it securely positioned. The 4-1/2" diameter canopy connects to one of two Y yokes depending on the choice of 250 or 400 watt projector model.

Consultations

Jacksen International Ltd. manufactures and offers optional installation for the equipment described in this bulletin. In addition, staff members are available for consultation. For further information, please write or call.



**Model 2350C
250 Watt Shown**

SPECIFICATIONS

Applications: Large focal points, paintings, sculpture, corporate logos, gobo patterns, and tables

Power: 120 VAC

Lamp: Specify Quartz 250 or 400 Watt Q/CL mini-can screw base 2,000 hr. life

Weight: 9 lbs.

Objective Lenses: Preset by Factory

Condensing Lens: 3

Spherical Reflector: 1

Construction: Cast Aluminum

Colors: Black or White (White will discolor, other colors by request)

Mounting: Canopy Mount (Wall or Ceiling)

Relamping: Does not change focus

Listings:

250 Watt Listing Not Listed

400 Watt Listing Not Listed

Accessory: FADE IN® Optics for a Loosely Conforming Border

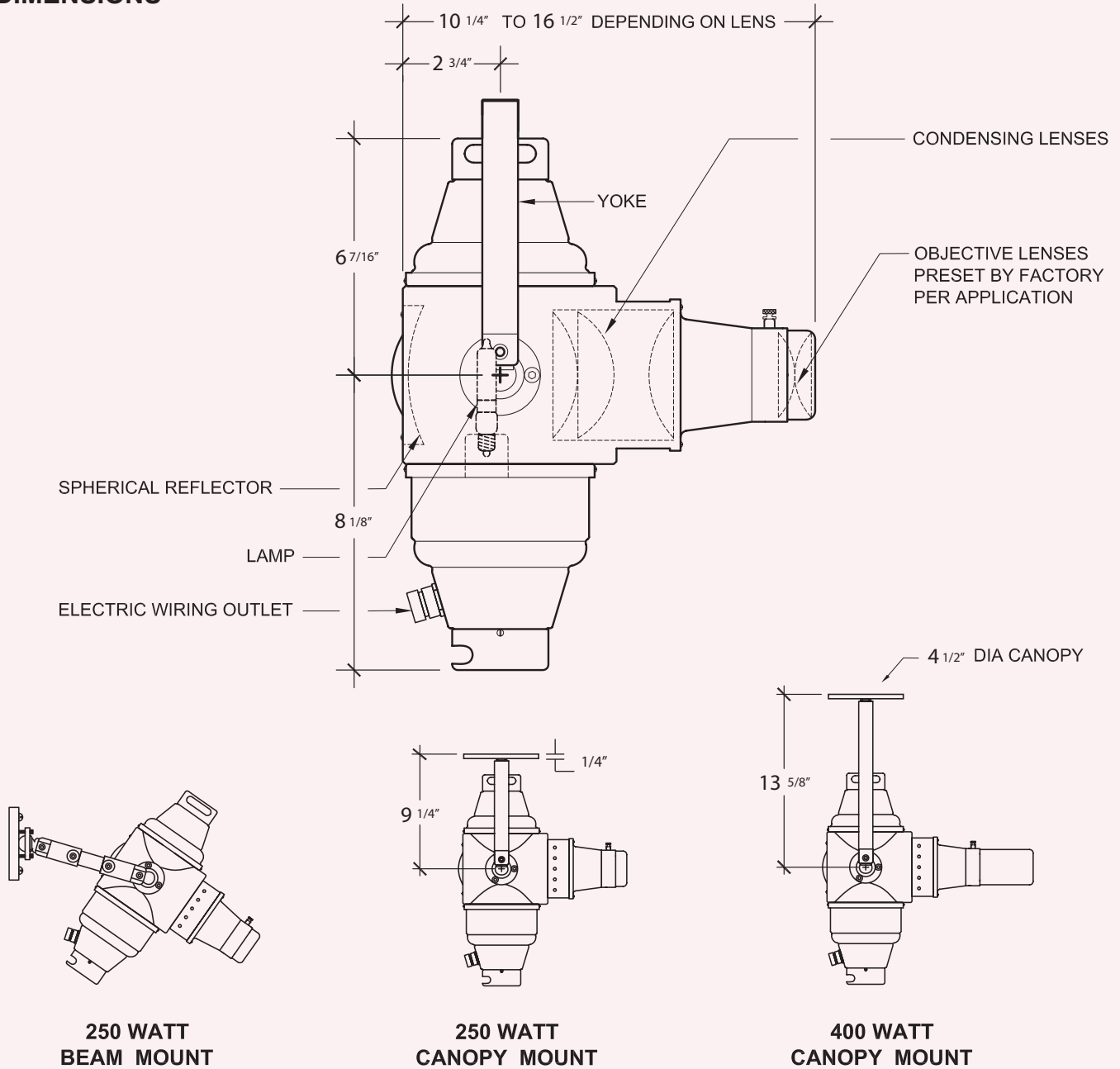
DIAMETER OF SPOT AND FOOT CANDLES DATA (400 WATT)

Distance to Object	1'		2'		3'		4'		5'		6'		7'		8'		9'		10'		15'		25'		Spread
	Size of Spot	Foot Cand.	Size of Spot	Foot Cand.	Size of Spot	Foot Cand.	Size of Spot	Foot Cand.	Size of Spot	Foot Cand.	Size of Spot	Foot Cand.	Size of Spot	Foot Cand.	Size of Spot	Foot Cand.	Size of Spot	Foot Cand.	Size of Spot	Foot Cand.	Size of Spot	Foot Cand.	Size of Spot	Foot Cand.	Spread of Beam
230	3"	5500	6"	1400	9"	650	12"	350	15"	240	18"	160	21"	120	24"	90	27"	72	30"	58	45"	26	75"	10	12"
192	4"	4500	8"	1100	12"	500	16"	280	20"	180	24"	125	28"	90	32"	70	36"	50	40"	45	60"	20	100"	7	18"
96	8"	2200	16"	550	24"	250	32"	140	40"	90	48"	60	56"	45	64"	35	72"	28	80"	22	120"	10	200"	-	45"
48	12"	630	24"	160	36"	70	48"	40	60"	25	72"	15	84"	12	96"	10	108"	8	120"	6	180"	-	300"	-	96"

Notes: - Additional diameter of spots are available.
- Wendelighting reserves the right to make changes without notice.

Model 2350C

DIMENSIONS



HOW TO SPECIFY

To specify, please visit www.wendelighting.com/worksheets.htm, complete the appropriate projector worksheet and forward the completed worksheet to our staff members, info@wendelighting.com.

The name Wendelighting is registered to Jacksen International Ltd., Monrovia, California. The name encompasses Wendel® and Wenlux® optical projectors as well as other types of Wendel/Wenlux lighting fixtures for both interior and exterior use.



WENDELIGHTING®

DIVISION OF JACKSEN INTERNATIONAL LTD