

Wendelighting optical projectors offer the architect, lighting engineer and interior designer the ultimate in controlled illumination for interior settings.

The Wendel® projector combines an optical system of precision ground lenses, reflector, and a unique light masking technique. The result is a highly intensified light that is artistically confined to the exact area of interest regardless of shape.

Wendelighting's Model 2350 lighting system provides the specifier an alternative to our recessed attic installed optical projector. The Wendel beam mounted lighting system includes a sturdy fastening design which provides a solid support to keep the projector securely positioned when installed on exposed beams or concrete ceilings.

### Consultations

Jacksen International Ltd. manufactures and offers optional installation for the equipment described in this bulletin. In addition, staff members are available for consultation. For further information, please write or call.



Model 2350B

**2350C Shown**

### SPECIFICATIONS

**Applications:** Large focal points, paintings, sculpture, corporate logos, gobo patterns, and tables

**Power:** 120 VAC

**Lamp:** Specify Quartz 250 or 400 Watt Q/CL mini-can screw base 2,000 hr. life

**Weight:** 9 lbs.

**Objective Lenses:** Preset by Factory

**Condensing Lens:** 3

**Spherical Reflector:** 1

**Construction:** Cast Aluminum

**Colors:** Black or White (White will discolor, other colors by request)

**Mounting:** Beam Mount

**Relamping:** Does not change focus

**Listings:**

**250 Watt Listing** UL - Dry Location

**400 Watt Listing** UL - Dry Location

**Accessory:** FADE IN® Optics for a Loosely Conforming Border

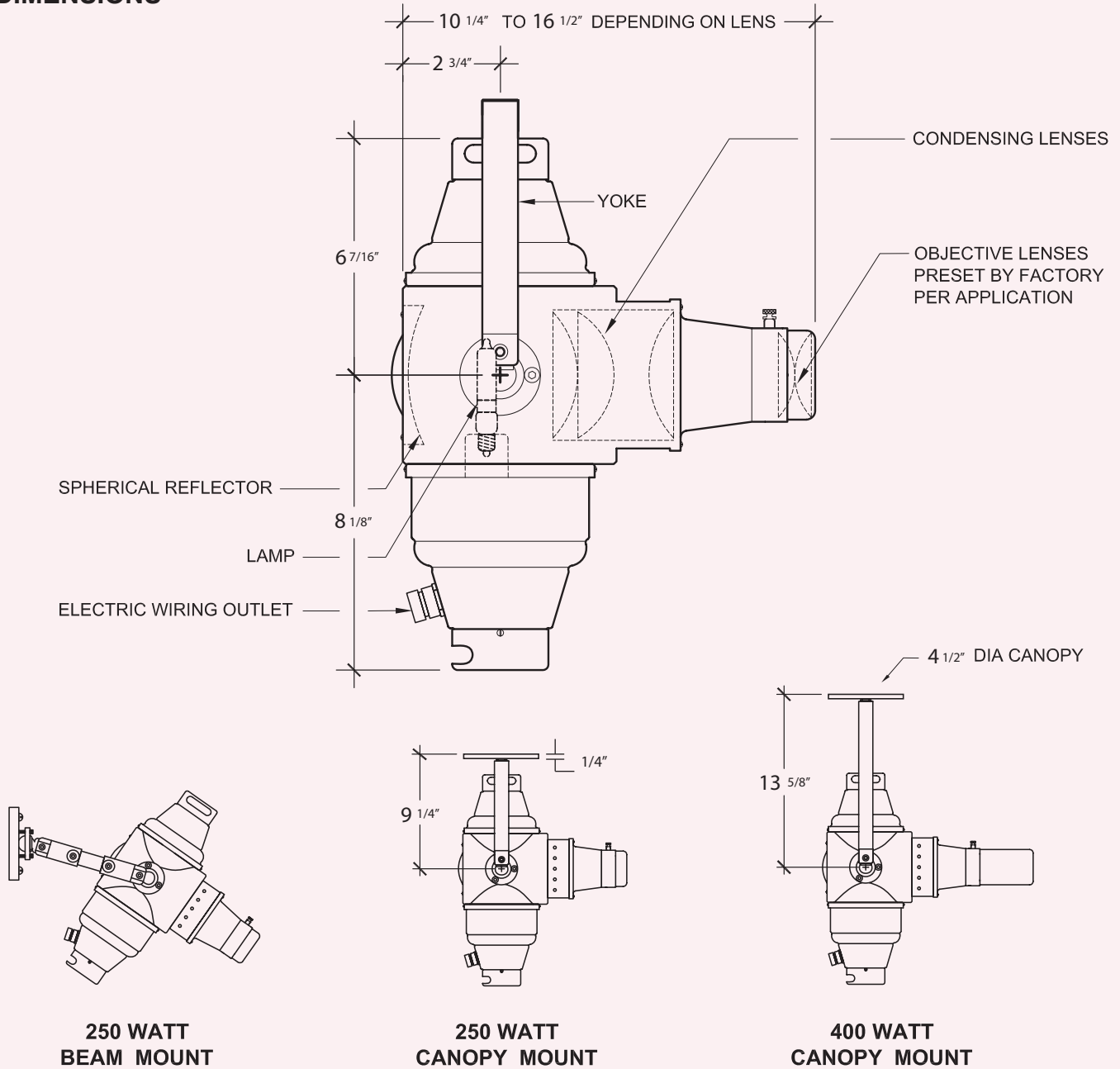
### DIAMETER OF SPOT AND FOOT CANDLES DATA (400 WATT)

Distance to Object	1'		2'		3'		4'		5'		6'		7'		8'		9'		10'		15'		25'		Spread
	Size of Spot	Foot Cand.	Size of Spot	Foot Cand.	Size of Spot	Foot Cand.	Size of Spot	Foot Cand.	Size of Spot	Foot Cand.	Size of Spot	Foot Cand.	Size of Spot	Foot Cand.	Size of Spot	Foot Cand.	Size of Spot	Foot Cand.	Size of Spot	Foot Cand.	Size of Spot	Foot Cand.	Size of Spot	Foot Cand.	
Objective Lens FL																									
230	3"	5500	6"	1400	9"	650	12"	350	15"	240	18"	160	21"	120	24"	90	27"	72	30"	58	45"	26	75"	10	12"
192	4"	4500	8"	1100	12"	500	16"	280	20"	180	24"	125	28"	90	32"	70	36"	50	40"	45	60"	20	100"	7	18"
96	8"	2200	16"	550	24"	250	32"	140	40"	90	48"	60	56"	45	64"	35	72"	28	80"	22	120"	10	200"	-	45"
48	12"	630	24"	160	36"	70	48"	40	60"	25	72"	15	84"	12	96"	10	108"	8	120"	6	180"	-	300"	-	96"

**Notes:** - Additional diameter of spots are available.  
- Wendelighting reserves the right to make changes without notice.

# Model 2350B

## DIMENSIONS



### HOW TO SPECIFY

To specify, please visit [www.wendelighting.com/worksheets.htm](http://www.wendelighting.com/worksheets.htm), complete the appropriate projector worksheet and forward the completed worksheet to our staff members, [info@wendelighting.com](mailto:info@wendelighting.com).

The name Wendelighting is registered to Jacksen International Ltd., Monrovia, California. The name encompasses Wendel® and Wenlux® optical projectors as well as other types of Wendel/Wenlux lighting fixtures for both interior and exterior use.



# WENDELIGHTING®

DIVISION OF JACKSEN INTERNATIONAL LTD