

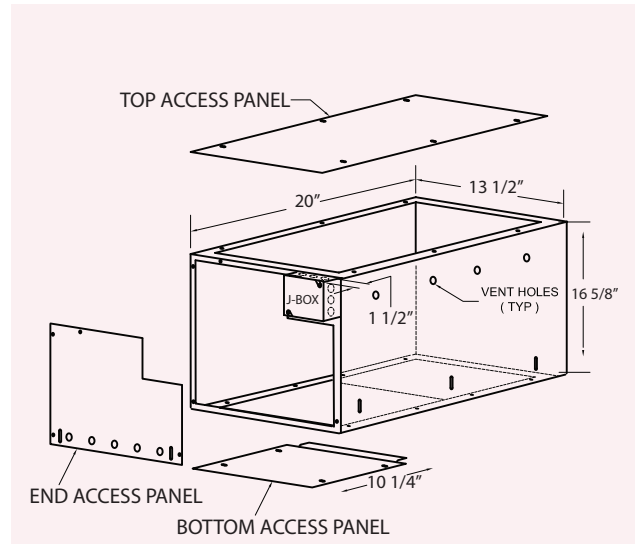
The housing provides universal access to the Wendel® projector for installation, relamping and focusing. The bottom of the housing is installed above the ceiling. Each housing comes prewired with a large, accessible junction box. Each complies with Underwriters Laboratory requirements for Non-IC installations.

The Wendel projector is sold separately. The projector's objective cone extends through the ceiling and is field painted to match the ceiling for a near hidden light source.

Wendel housings are supplied with mounting hanger brackets.

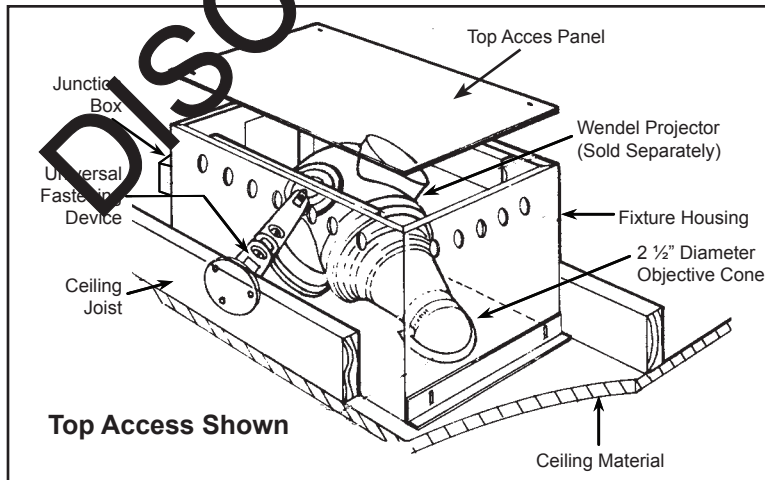
## How to Specify

Wendelighting shall specify housing locations. Provide Wendelighting with a to scale Reflected Ceiling Plan and Interior Elevation including art and/or maximum art size or complete a Projector Worksheet found at [www.wendelighting.com](http://www.wendelighting.com). Staff members are also available for jobsite consultation on a fee basis.



## 2346UH

### Custom Universal End Access Housing



Top Access Shown

## SPECIFICATIONS

<b>Applications:</b>	Unobtrusive Light Source
<b>Power:</b>	120 VAC
<b>Lamping:</b>	250 Watt Maximum
<b>Weight:</b>	24 lbs.
<b>Housing:</b>	Die Formed Galvanized Sheet Metal
<b>Mounting:</b>	Hanger Brackets Rigid to Construction
<b>Relamping:</b>	End / Bottom / Top Access Panels
<b>Listing:</b>	UL / CUL Damp Location Thermally Protected Non IC / Not Air Tight Insulation Must Be Kept Away From Housing

Approximate Location for the Wendel Projector Housing.

In order to specify the approximate location for a Wendel housing, determine the position of the object to be illuminated and see the following formula:

$$P = W + 1/3A + 3"$$

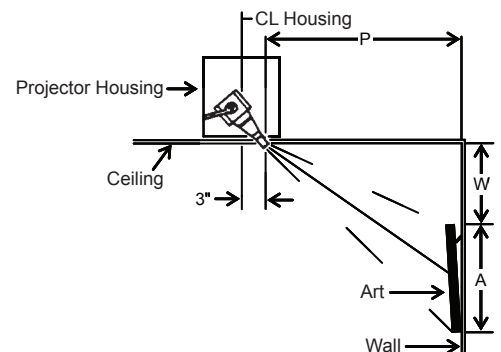
P = Distance of Wendel projector to wall

W = Distance from top of art to ceiling

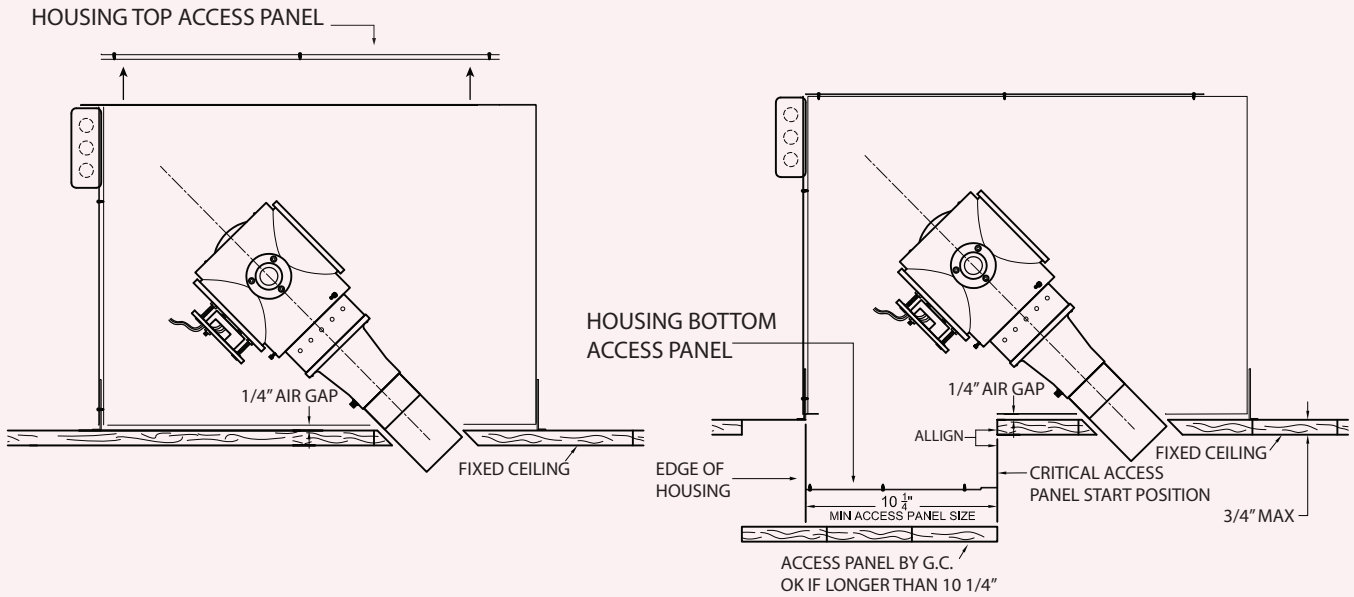
A = Height of art

CL Housing = P + 3" (additional 3")

Forward information to Wendelighting to verify location



# Model 2346UH Custom Universal End Access Housing

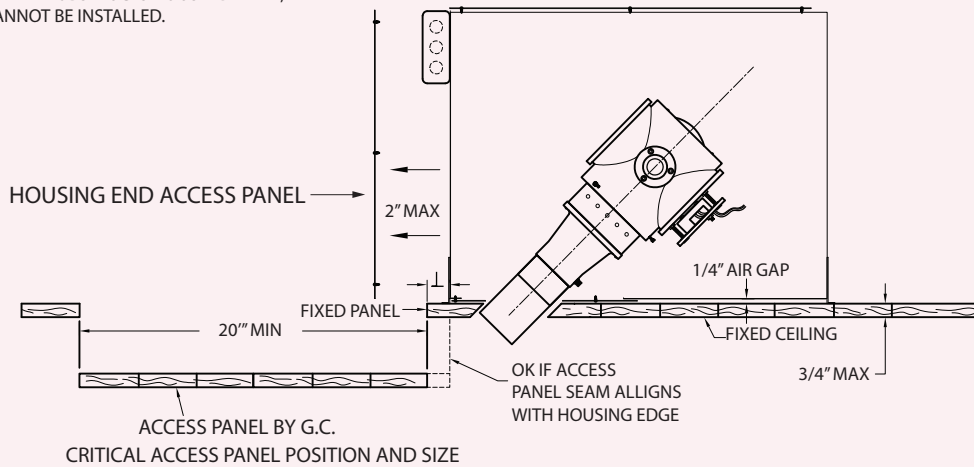


## TOP ACCESS

## BOTTOM ACCESS

**NOTE:**

ACCESS PANEL MUST BE IN APPLICABLE POSITION SHOWN FOR PROJECTOR ACCESS. IF CEILING MATERIAL OBSTRUCTS HOUSING ENTRY, PROJECTOR CANNOT BE INSTALLED.



## END ACCESS

The name Wendelighting is registered to Jacksen International Ltd., Monrovia, California. The name encompasses Wendel® and Wenlux® optical projectors as well as other types of Wendel/Wenlux lighting fixtures for both interior and exterior use.



# WENDELIGHTING®

DIVISION OF JACKSEN INTERNATIONAL LTD