

Wendelighting optical projectors offer the architect, lighting engineer and interior designer the ultimate in controlled illumination for interior settings.

For use with Bottom Access Housings, the Wendel® projector combines an optical system of precision ground lenses, reflector, and a unique light masking technique. In addition to three condensing lenses, the projectors are factory assembled with a custom combination of objective lenses to meet the beam spread requirement. The result is a highly intensified light that is artistically confined to the exact area of interest regardless of shape.

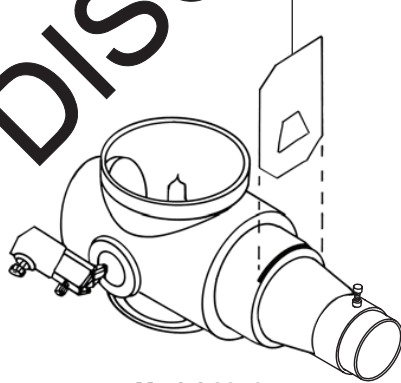
Typical applications include: large paintings, sculpture, antiques, religious articles, trophies, furniture and various other architectural focal points. Frequently one projector is used to provide separate light maskings for multiple objects.

Consultations

Jacksen International Ltd. manufactures and offers optional installation for the equipment described in this bulletin. In addition, staff members are available for consultation. For further information, please write or call.



Light mask and shield



Model 2346

SPECIFICATIONS

- Applications:** Large focal points, paintings, sculpture, corporate logos, gobo patterns, and tables
- Power:** 120 VAC
- Lamp:** Specify Quartz 250 or 400 Watt Q/CL mini-can screw base 2,000 hr. life
- Weight:** 9 lbs.
- Objective Lenses:** Preset by Factory
- Condensing Lens:** 3
- Spherical Reflector:** 1
- Construction:** Cast Aluminum
- Relamping:** Does not change focus
- Listings:**
 - 250 Watt Listing** UL / CUL - Damp Location - Non IC - Not Air Tight
 - 400 Watt Listing** UL / CUL - Damp Location - Non IC - Not Air Tight
- Accessory:** FADE IN® Optics for a Loosely Conforming Border

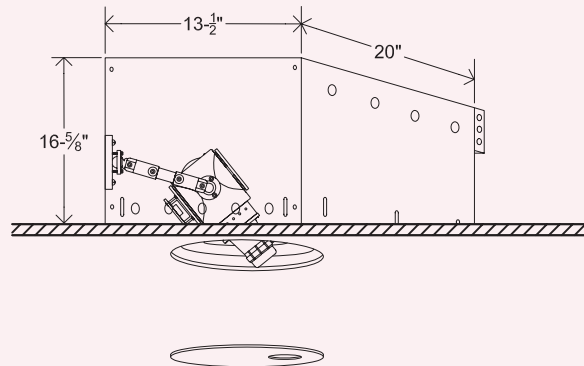
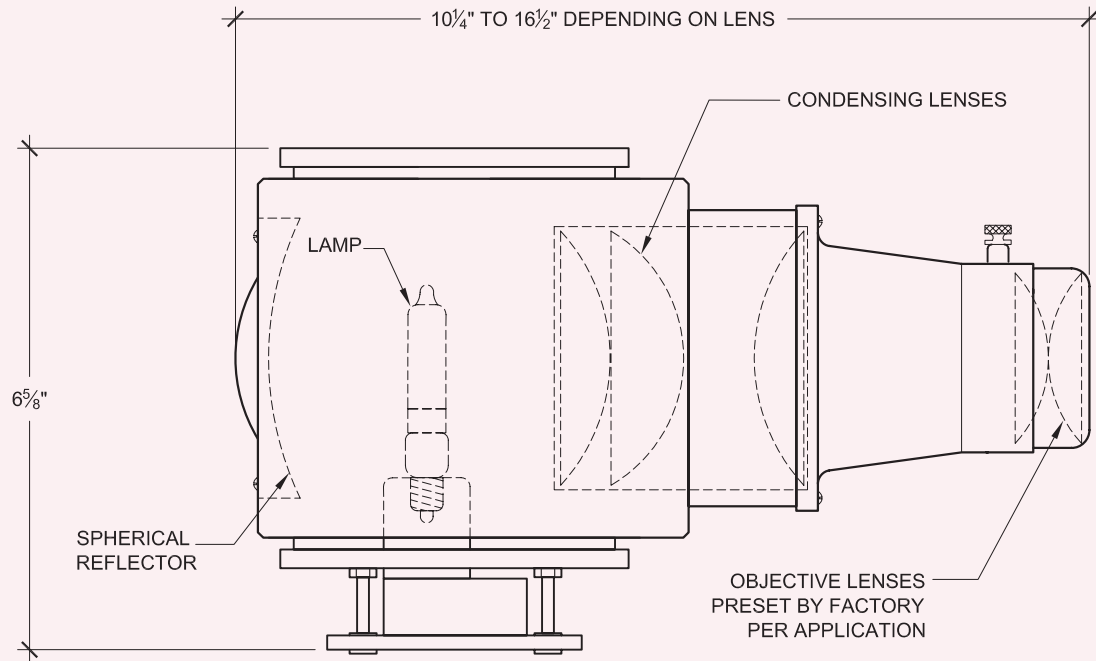
DIAMETER OF SPOT AND FOOT CANDLES DATA (400 WATT)

Distance to Object	1'		2'		3'		4'		5'		6'		7'		8'		9'		10'		15'		25'		Spread
Objective Lens FL	Size of Spot	Foot Cand.	Size of Spot	Foot Cand.	Size of Spot	Foot Cand.	Size of Spot	Foot Cand.	Size of Spot	Foot Cand.	Size of Spot	Foot Cand.	Size of Spot	Foot Cand.	Size of Spot	Foot Cand.	Size of Spot	Foot Cand.	Size of Spot	Foot Cand.	Size of Spot	Foot Cand.	Size of Spot	Foot Cand.	Spread of Beam
230	3"	5500	6"	1400	9"	650	12"	350	15"	240	18"	160	21"	120	24"	90	27"	72	30"	58	45"	26	75"	10	12"
192	4"	4500	8"	1100	12"	500	16"	280	20"	180	24"	125	28"	90	32"	70	36"	50	40"	45	60"	20	100"	7	18"
96	8"	2200	16"	550	24"	250	32"	140	40"	90	48"	60	56"	45	64"	35	72"	28	80"	22	120"	10	200"	-	45"
48	12"	630	24"	160	36"	70	48"	40	60"	25	72"	15	84"	12	96"	10	108"	8	120"	6	180"	-	300"	-	96"

Notes: - Additional diameter of spots are available.
- Wendelighting reserves the right to make changes without notice.

Model 2346PB

DIMENSIONS



BOTTOM ACCESS HOUSING (SOLD SEPARATELY)
SEE 2346H2CPM OR 2346H4CPM SPECIFICATION SHEETS

HOW TO SPECIFY

To specify, please visit www.wendelighting.com/worksheets.htm, complete the appropriate projector worksheet and forward the completed worksheet to our staff members, info@wendelighting.com.

The name Wendelighting is registered to Jacksen International Ltd., Monrovia, California. The name encompasses Wendel[®] and Wenlux[®] optical projectors as well as other types of Wendel/Wenlux lighting fixtures for both interior and exterior use.



WENDELIGHTING[®]

DIVISION OF JACKSEN INTERNATIONAL LTD