

WENDELIGHTING®

DIVISION OF JACKSEN INTERNATIONAL LTD

Model 2346P
Recessed Optical Projector

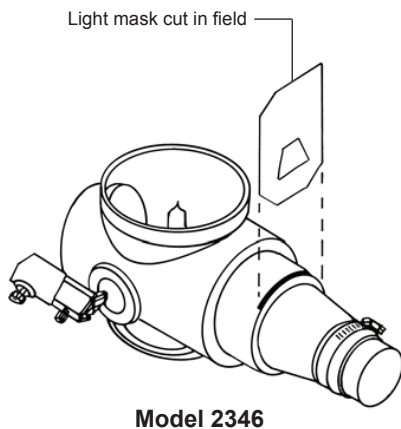
Wendelighting optical projectors offer the architect, lighting engineer and interior designer the ultimate in controlled illumination for interior settings.

For use with Top or End Access Housings, the Wendel® projector combines an optical system of precision ground lenses, reflector, and a unique light masking technique. In addition to three condensing lenses, the projectors are factory assembled with a custom combination of objective lenses to meet the beam spread requirement. The result is a highly intensified light that is artistically confined to the exact area of interest regardless of shape.

Typical applications include: large paintings, sculpture, antiques, religious articles, trophies, furniture and various other architectural focal points. Frequently one projector is used to provide separate light maskings for multiple objects.

Consultations

Jacksen International Ltd. manufactures and offers optional installation for the equipment described in this bulletin. In addition, staff members are available for consultation. For further information, please write or call.



SPECIFICATIONS

| | |
|-----------------------------|--|
| Applications: | Large focal points, paintings, sculpture, corporate logos, gobo patterns, and tables |
| Power: | 120 VAC |
| Lamp: | Specify Quartz 250 or 400 Watt Q/CL mini-can screw base 2,000 hr. life |
| Weight: | 9 lbs. |
| Objective Lenses: | Preset by Factory |
| Condensing Lens: | 3 |
| Spherical Reflector: | 1 |
| Construction: | Cast Aluminum |
| Relamping: | Does not change focus |
| Listings: | |
| 250 Watt Listing | Not Listed - Non IC - Not Air Tight |
| 400 Watt Listing | Not Listed - Non IC - Not Air Tight |
| Accessory: | FADE IN® Optics for a Loosely Conforming Border |

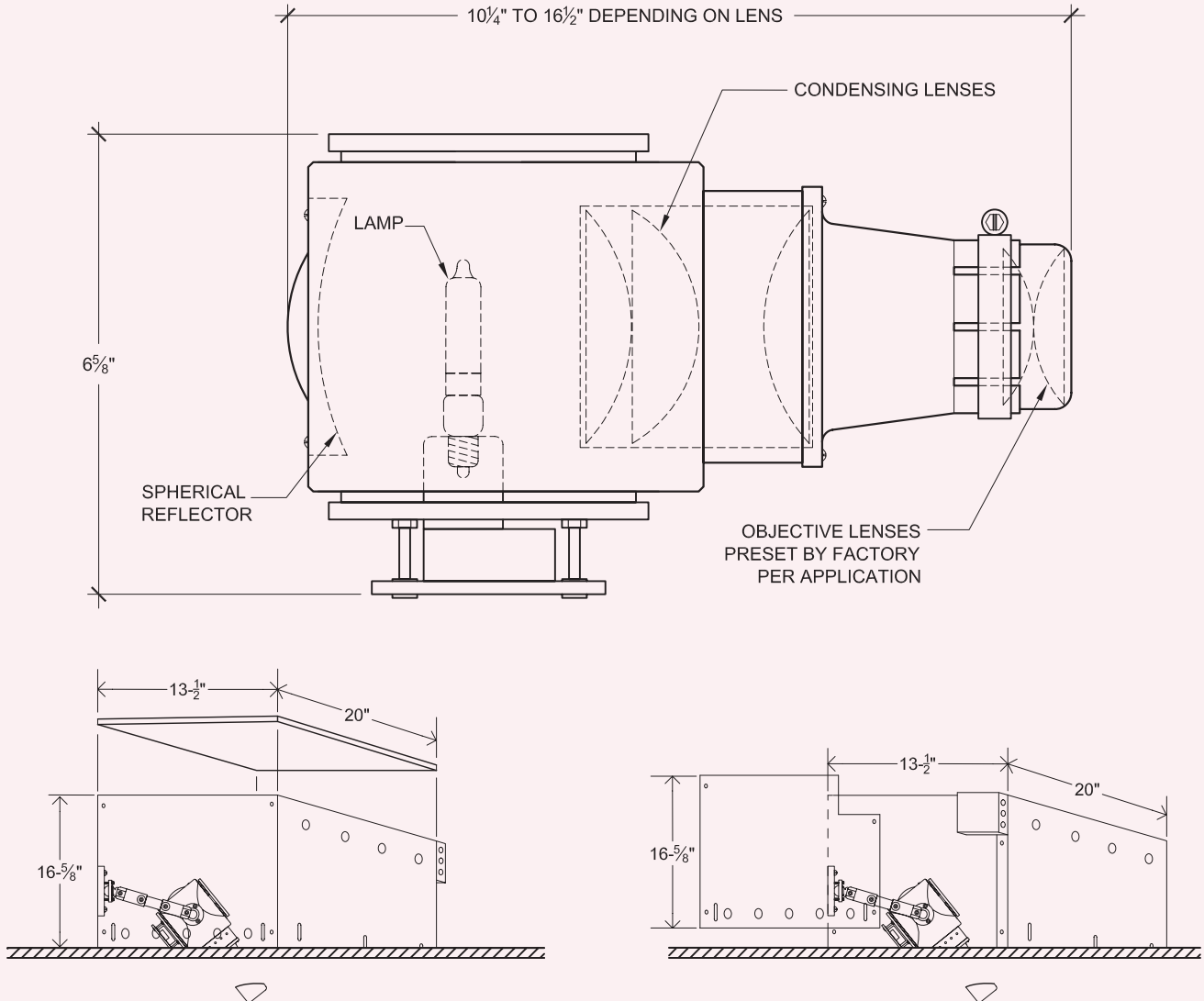
DIAMETER OF SPOT AND FOOT CANDLES DATA (400 WATT)

| Distance to Object | 1' | | 2' | | 3' | | 4' | | 5' | | 6' | | 7' | | 8' | | 9' | | 10' | | 15' | | 25' | | Spread |
|--------------------|--------------|------------|--------------|------------|--------------|------------|--------------|------------|--------------|------------|--------------|------------|--------------|------------|--------------|------------|--------------|------------|--------------|------------|--------------|------------|--------------|------------|--------|
| | Size of Spot | Foot Cand. | Size of Spot | Foot Cand. | Size of Spot | Foot Cand. | Size of Spot | Foot Cand. | Size of Spot | Foot Cand. | Size of Spot | Foot Cand. | Size of Spot | Foot Cand. | Size of Spot | Foot Cand. | Size of Spot | Foot Cand. | Size of Spot | Foot Cand. | Size of Spot | Foot Cand. | Size of Spot | Foot Cand. | |
| Objective Lens FL | | | | | | | | | | | | | | | | | | | | | | | | | |
| 230 | 3" | 5500 | 6" | 1400 | 9" | 650 | 12" | 350 | 15" | 240 | 18" | 160 | 21" | 120 | 24" | 90 | 27" | 72 | 30" | 58 | 45" | 26 | 75" | 10 | 12" |
| 192 | 4" | 4500 | 8" | 1100 | 12" | 500 | 16" | 280 | 20" | 180 | 24" | 125 | 28" | 90 | 32" | 70 | 36" | 50 | 40" | 45 | 60" | 20 | 100" | 7 | 18" |
| 96 | 8" | 2200 | 16" | 550 | 24" | 250 | 32" | 140 | 40" | 90 | 48" | 60 | 56" | 45 | 64" | 35 | 72" | 28 | 80" | 22 | 120" | 10 | 200" | - | 45" |
| 48 | 12" | 630 | 24" | 160 | 36" | 70 | 48" | 40 | 60" | 25 | 72" | 15 | 84" | 12 | 96" | 10 | 108" | 8 | 120" | 6 | 180" | - | 300" | - | 96" |

Notes: - Additional diameter of spots are available.
- Wendelighting reserves the right to make changes without notice.

Model 2346P

DIMENSIONS



TOP ACCESS HOUSING (SOLD SEPARATELY)
SEE 2346H2 OR 2346H4 SPECIFICATION SHEETS

END ACCESS HOUSING (SOLD SEPARATELY)
SEE 2346UH SPECIFICATION SHEETS

HOW TO SPECIFY

To specify, please visit www.wendelighting.com/worksheets.htm, complete the appropriate projector worksheet and forward the completed worksheet to our staff members, info@wendelighting.com.

The name Wendelighting is registered to Jacksen International Ltd., Monrovia, California. The name encompasses Wendel[®] and Wenlux[®] optical projectors as well as other types of Wendel/Wenlux lighting fixtures for both interior and exterior use.



WENDELIGHTING[®]

DIVISION OF JACKSEN INTERNATIONAL LTD