

WENDELIGHTING®

DIVISION OF JACKSEN INTERNATIONAL LTD

1176UH10 Custom Universal End Access Housing

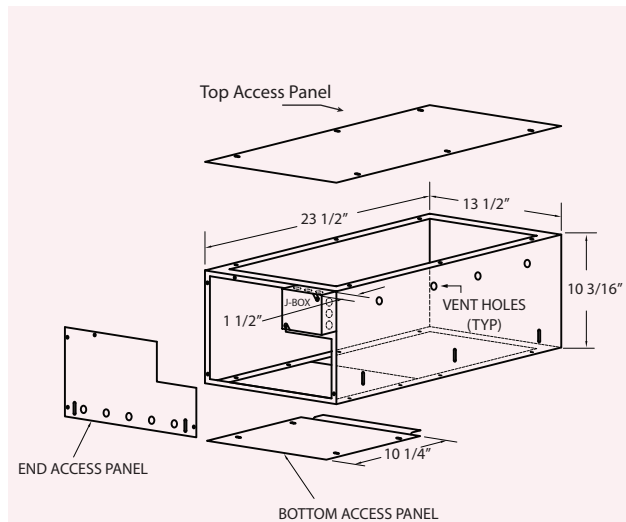
The housing provides universal access to the Wendel® projector for installation, relamping and focusing. The bottom of the housing is installed above the ceiling. Each housing comes prewired with a large, accessible junction box. Each complies with Underwriters Laboratory requirements for Non-IC installations.

The Wendel projector is sold separately. The projector's objective cone extends through the ceiling and is field painted to match the ceiling for a near hidden light source.

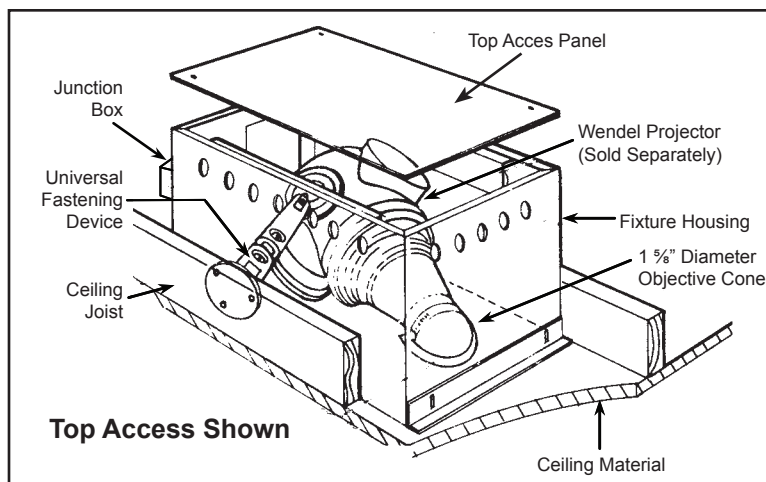
Wendel housings are supplied with mounting hanger brackets.

How to Specify

Wendelighting shall specify housing locations. Provide Wendelighting with a to scale Reflected Ceiling Plan and Interior Elevation including art and/or maximum art size or complete a Projector Worksheet found at www.wendelighting.com. Staff members are also available for jobsite consultation on a fee basis.



1176UH10
Custom Universal End Access Housing



SPECIFICATIONS

Applications:	Unobtrusive Light Source
Power:	120 VAC
Lamping:	150 Watt Maximum
Weight:	19 lbs.
Housing:	Die Formed Galvanized Sheet Metal
Mounting:	Hanger Brackets Rigid to Construction
Relamping:	End / Bottom / Top Access Panels
Listing:	Not Listed
	Thermally Protected
	Non IC / Not Air Tight
	Insulation Must Be Kept Away From Housing

Approximate Location for the Wendel Projector Housing.

In order to specify the approximate location for a Wendel housing, determine the position of the object to be illuminated and see the following formula:

$$P = W + 1/3A + 2''$$

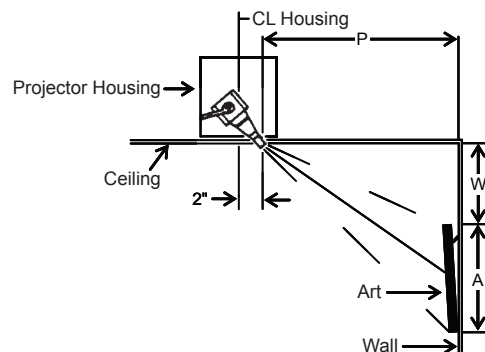
P = Distance of Wendel projector to wall

W = Distance from top of art to ceiling

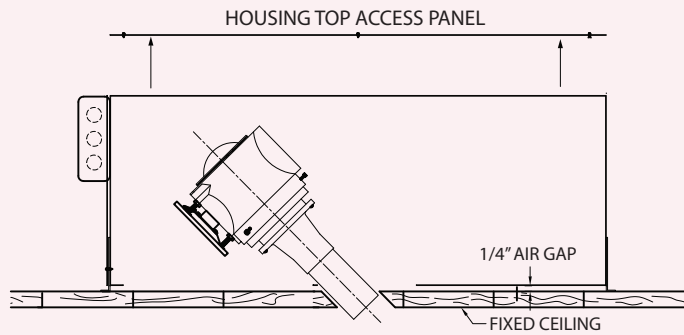
A = Height of art

CL Housing = P + 2" (additional 2")

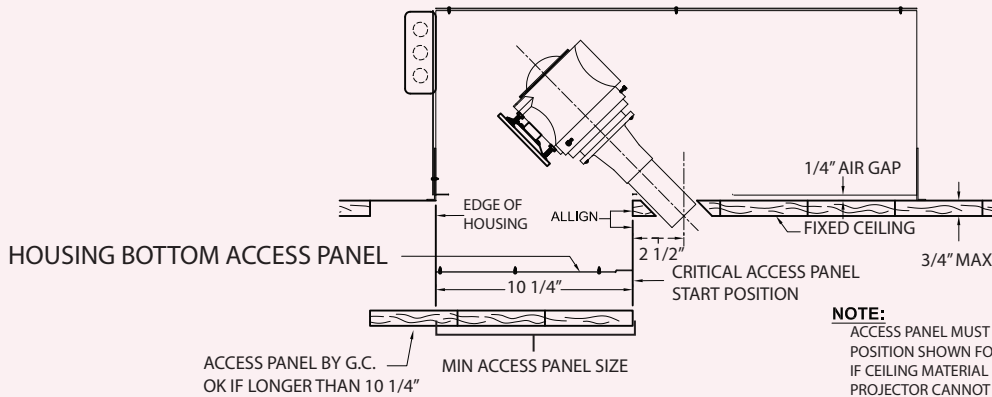
Forward information to Wendelighting to verify location



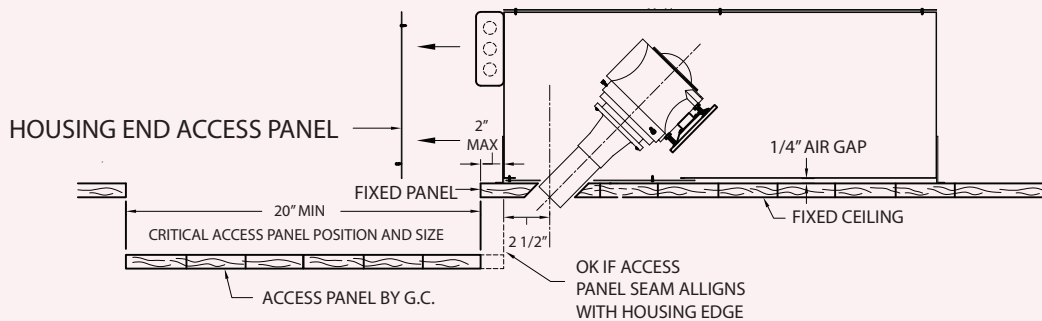
Model 1176UH10 Custom Universal End Access Housing



TOP ACCESS OPTION



BOTTOM ACCESS OPTION



END ACCESS OPTION

NOTE:
ACCESS PANEL MUST BE IN APPLICABLE POSITION SHOWN FOR PROJECTOR ACCESS. IF CEILING MATERIAL OBSTRUCTS HOUSING ENTRY, PROJECTOR CANNOT BE INSTALLED.

The name Wendelighting is registered to Jacksen International Ltd., Monrovia, California. The name encompasses Wendel[®] and Wenlux[®] optical projectors as well as other types of Wendel/Wenlux lighting fixtures for both interior and exterior use.



WENDELIGHTING[®]

DIVISION OF JACKSEN INTERNATIONAL LTD