

Wendelighting optical projectors offer the architect, lighting engineer and interior designer the ultimate in controlled illumination for interior settings.

For use with Top or End Access Housings, the Wendel® projector combines an optical system of precision ground lenses, reflector and a unique light masking technique. In addition to three condensing lenses, the projectors are factory assembled with a custom combination of objective lenses to meet the beam spread requirement. The result is a highly intensified light that is artistically confined to the exact area of interest regardless of shape.

Typical applications include: paintings, sculpture, antiques, religious articles, trophies, furniture and various other architectural focal points. Frequently one projector is used to provide separate light maskings for multiple objects.

Consultations

Jacksen International Ltd. manufactures and offers optional installation for the equipment described in this bulletin. In addition, staff members are available for consultation. For further information, please write or call.



Model 1176

SPECIFICATIONS

Applications: Small focal points, paintings, sculpture, and tables

Power: 120 VAC

Lamp: Quartz 150 Watt Q/CL mini-can screw base 2000 hr. life

Weight: 4 lbs.

Objective Lenses: Preset by Factory

Condensing Lens: 3

Spherical Reflector: 1

Construction: Cast Aluminum

Relamping: Does not change focus

Listing: Not Listed -- Non IC -- Not Air Tight

Accessory: FADE IN® Optics for a Loosely Conforming Border

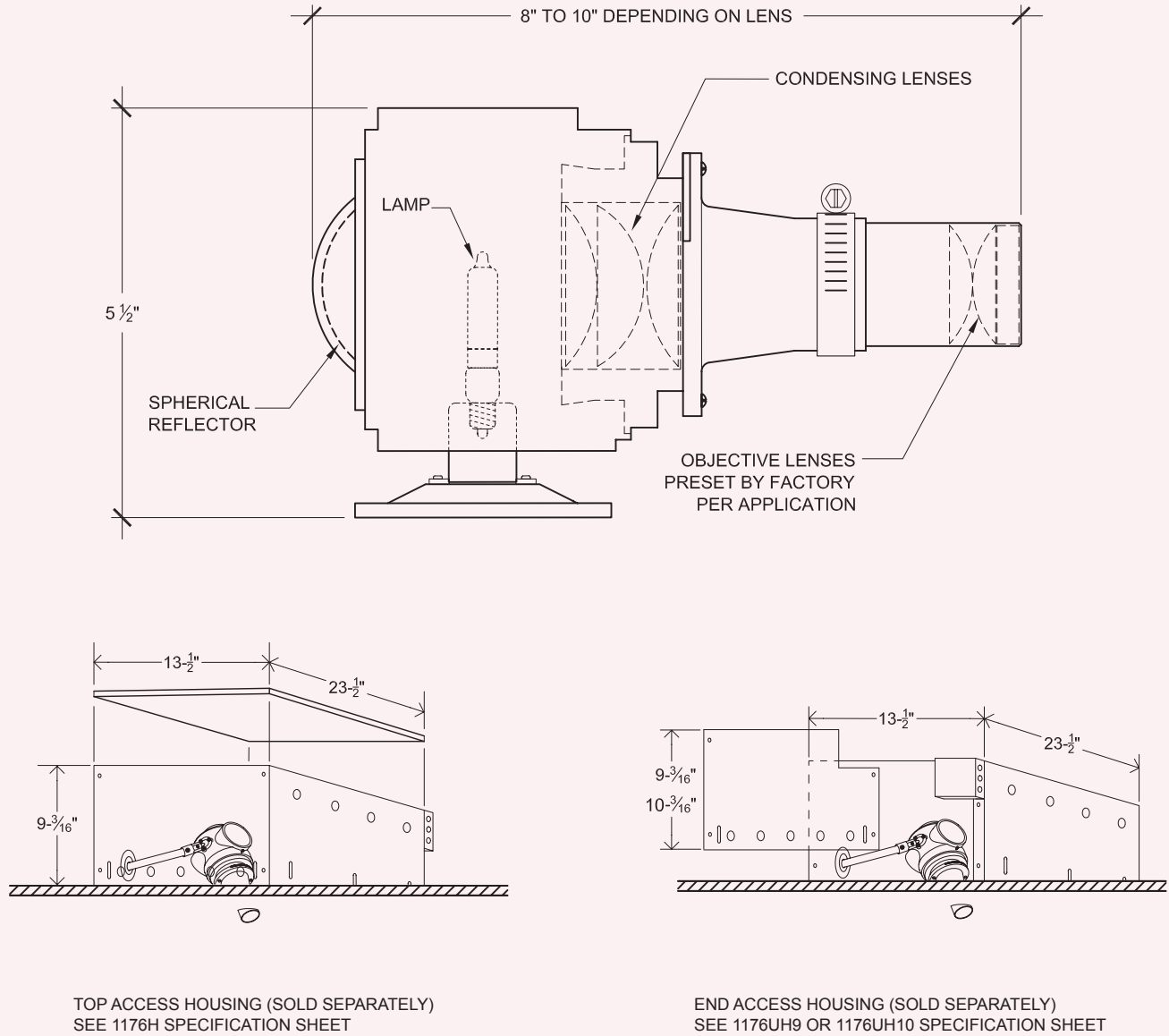
DIAMETER OF SPOT AND FOOT CANDLES DATA

Distance to Object	1'		2'		3'		4'		5'		6'		7'		8'		9'		10'		Spread
Objective Lens FL	Size of Spot	Foot Cand.	Size of Spot	Foot Cand.	Size of Spot	Foot Cand.	Size of Spot	Foot Cand.	Size of Spot	Foot Cand.	Size of Spot	Foot Cand.	Size of Spot	Foot Cand.	Size of Spot	Foot Cand.	Size of Spot	Foot Cand.	Size of Spot	Foot Cand.	Spread of Beam
200	5"	1900	9"	450	14"	2100	19"	110	23"	76	28"	53	33"	40	37"	30	42"	23	47"	19	18°
150	6"	1350	13"	300	19"	150	26"	84	32"	54	39"	38	45"	28	51"	21	58"	17	64"	14	20°
76	8"	450	16"	110	23"	50	31"	28	39"	18	47"	13	55"	9	62"	7	70"	6	78"	5	39°
38	11"	300	22"	75	34"	34	45"	20	56"	12	67"	9	78"	6	90"	5	101"	4	112"	3	71°

Notes: - Additional diameter of spots are available.
- Wendelighting reserves the right to make changes without notice.

Model 1176P

DIMENSIONS



HOW TO SPECIFY

To specify, please visit www.wendelighting.com/worksheets.htm, complete the appropriate projector worksheet and forward the completed worksheet to our staff members, info@wendelighting.com.

The name Wendelighting is registered to Jacksen International Ltd., Monrovia, California. The name encompasses Wendel® and Wenlux® optical projectors as well as other types of Wendel/Wenlux lighting fixtures for both interior and exterior use.



WENDELIGHTING®

DIVISION OF JACKSEN INTERNATIONAL LTD