

Wendelighting optical projectors offer the designer the ultimate in controlled illumination for fine art. The Wendel® projector combines an optical system of precision ground lenses, reflector and a unique light masking technique. The result is a highly intensified light that is artistically confined to the exact area of interest regardless of shape.

Maximum ease of installation is available using the 1176HEM-MEX ceiling collar and 1176PEM-MEX projector. The projector mounting assembly is designed with multiple movement points providing flexible projector position options locked into place.

The trim plate adjusts vertically accommodating plaster ceiling thickness' ranging from 5/8" to 1-1/4". The trim plate is installed flush to a plaster finish ceiling and field painted to match the ceiling finish. For overlap trim, contact Factory.

### Consultations

Jacksen International Ltd. manufactures and offers optional installation for the equipment described in this bulletin. In addition, staff members are available for consultation. For further information, please write or call.



**1176HEM-MEX-COLLAR  
WITH  
1176PEM-MEX PROJECTOR**

**Model 1176PEM-MEX**  
(Order Example: 1176PEM-MEX-38FL)

### SPECIFICATIONS

<b>Projector Application:</b>	Small focal points, paintings, sculpture, and tables
<b>Ceiling Collar Application:</b>	Plaster ceiling 5/8" to 1-1/4" thick
<b>Power:</b>	120 VAC
<b>Lamp:</b>	Quartz 150 Watt Q/CL mini can screw base 2000 hr. life
<b>Weight:</b>	9 Lbs Collar and Projector
<b>Objective Lenses:</b>	Preset by Factory
<b>Condensing Lens:</b>	3
<b>Spherical Reflector:</b>	1
<b>Projector Body:</b>	Cast Aluminum
<b>Horizontal Rotation:</b>	Full 360° +
<b>Vertical Tilt:</b>	0° - 45° Limited by objective lens and trim combination
<b>Recessed Housing:</b>	Die formed galvanized sheet metal (interior finish black)
<b>Housing Fastener:</b>	Hanger brackets rigid to construction
<b>Trim Plate:</b>	10-1/2" Diameter primed (field paint to match ceiling)
<b>Trim Retention:</b>	Rare Earth Magnets
<b>Relamping:</b>	Bottom trim plate, Top access panel option (does not change focus)
<b>Listing:</b>	Not Listed
<b>Accessory:</b>	FADE IN® Optics for a Loosely Conforming Border

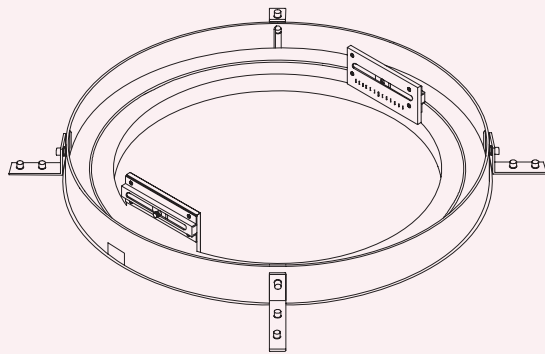
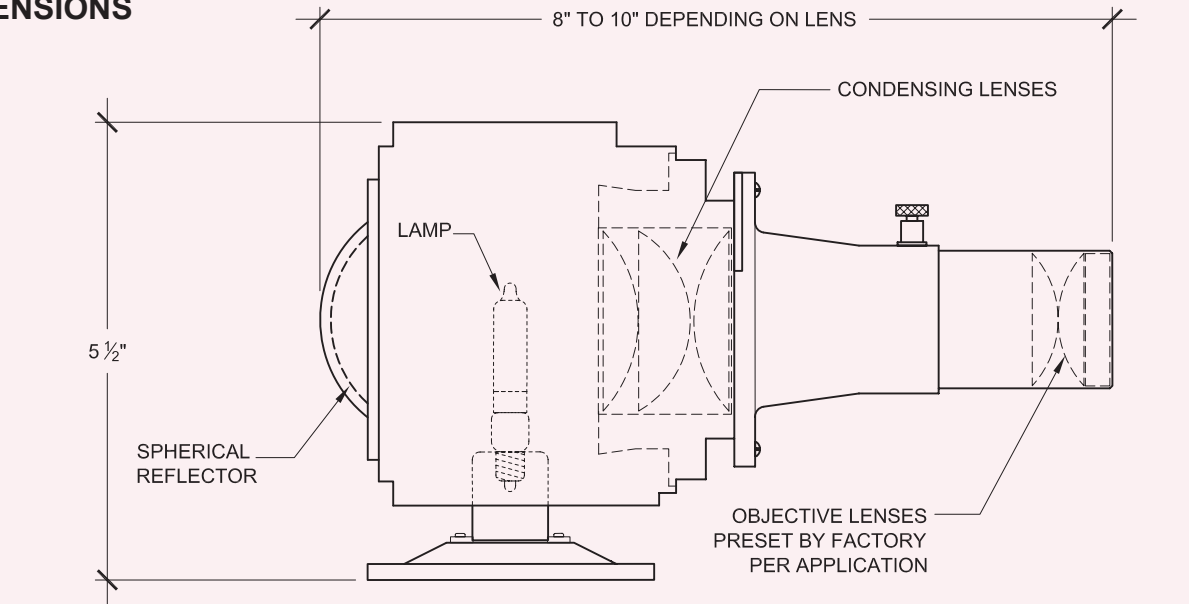
### DIAMETER OF SPOT AND FOOT CANDLES DATA

Distance to Object				1'		2'		3'		4'		5'		6'		7'		8'		9'		10'	
Light Beam Spread	Objective Lens FL	Flush Trim Type	Projector Vertical Tilt Angle	Size of Spot	Foot Candles (FC)	Size of Spot	FC	Size of Spot	FC	Size of Spot	FC	Size of Spot	FC	Size of Spot	FC	Size of Spot	FC	Size of Spot	FC	Size of Spot	FC	Size of Spot	FC
71°	38	WS	15°- 45°	25"	300	49"	75	74"	34	98"	20	123"	12	146"	9	172"	6	196"	5	220"	4	244"	3
39°	76	WS WP	15°- 45° 0°- 30°	8"	450	16"	110	25"	50	33"	28	41"	18	50"	13	58"	9	66"	7	74"	6	82"	5
23°	100	MS	20°- 45°	6"	1680	13"	310	19"	135	25"	72	32"	46	38"	29	45"	20	51"	16	57"	12	64"	10

**Notes:** - Additional diameter of spots and trim combinations are available. - Wendelighting reserves the right to make changes without notice.  
- Overlap trims available by special order.

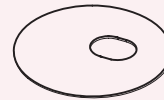
# Model 1176EM-MEX

## DIMENSIONS

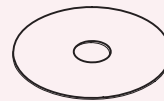


### 1176HEM-MEX - COLLAR

Diameter: 10-7/8"  
 (Order Example: 1176HEM-MEX COLLAR-WS)



**WS** Wide Beam Slot  
 (Standard)  
 (1-7/8" x 2-13/16" Aperture)



**WP** Wide Beam Pinhole  
 (Special Order)  
 (1-3/4" Aperture)



**MS** Medium Beam Slot  
 (Special Order)  
 (1-3/4" x 2-5/8" Aperture)

### FLUSH CEILING TRIM PLATES (Shipped with Housing)

Diameter: 10-1/2"

The name Wendelighting is registered to Jacksen International Ltd., Monrovia, California. The name encompasses Wendel® and Wenlux® optical projectors as well as other types of Wendel/Wenlux lighting fixtures for both interior and exterior use.



# WENDELIGHTING®

DIVISION OF JACKSEN INTERNATIONAL LTD