

WENDELIGHTING®

DIVISION OF JACKSEN INTERNATIONAL LTD

Wenlux™ Model 928B
Beam Mount
Optical Projector

Wendelighting's Wenlux Model 928B Beam Mount Projector provides the designer with a surface mounted optical light shaping system that delivers a variety of illuminations for fine art and furniture that can be installed and adjusted with ease.

The Wenlux projector combines a system of precision ground lenses for a Sharp Focus or Soft Focus border. Wendel's® optional Fade In® technology utilizes a diffusion system, that when combined with light mask shutters, creates a four sided, loosely conforming light that is shaped to the area of interest and easily adjusted to highlight subjects of many sizes.

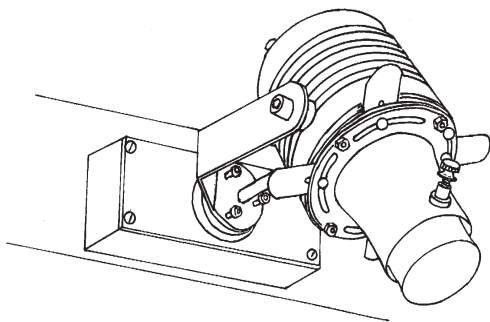
The Wenlux projector incorporates a bright, energy efficient light source, a convection cooling system and a sturdy fastening design that keeps it securely positioned to ensure optimal performance.

The back box can be fastened to the side of an exposed beam, or directly to a wood or concrete ceiling/wall, and includes an integral transformer. For a back box without a transformer, specify remote transformers "RT". Both back boxes accept single dead end Class 1 Wiring.



Patents Pending

Wendelighting reserves the right to change without notice - design, finish, material.



Model 928B

STANDARD SPECIFICATIONS

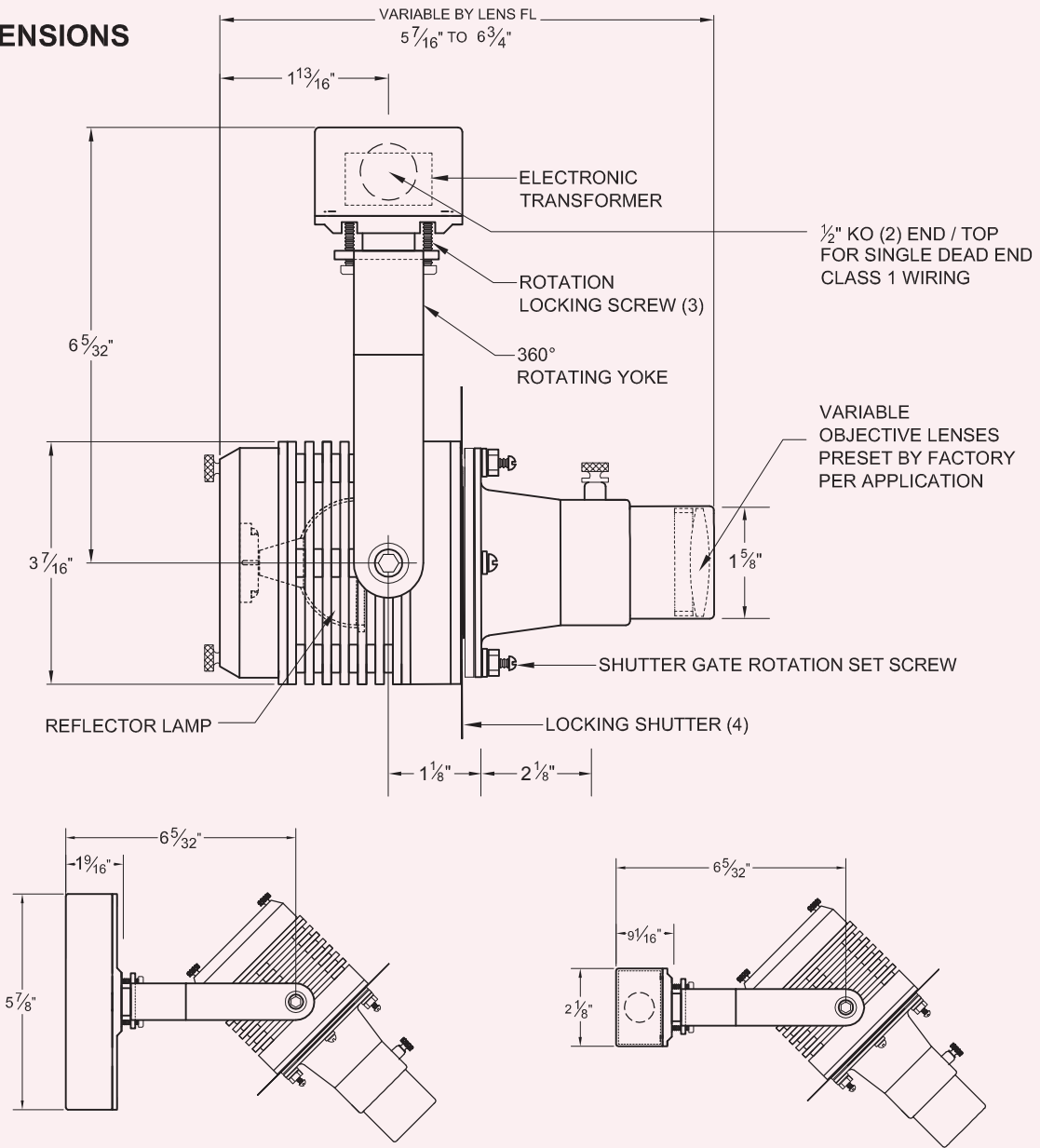
- Applications:** Paintings, Sculptures and Furnishings
- Power:** 120 Volt
- Transformer:** Electronic Low Voltage 120 VAC Input - 11.5 VAC Output
- Lamp:** Philips 45 MRC16/IRC/FL36 Recommended (50MR16 IR MAX)
- Shutters:** Excess Field Cut
- Objective Lenses:** Three 76 FL Lenses
- Housing:** Aluminum & Stainless
- Specify Color:** Nat Aluminum (AL), AL/Black, AL/White (White Will Discolor)
- Mounting:** Beam, Ceiling or Wall Mount
- Relamping:** Does Not Change Focus
- Weight:** 3 lbs
- Dimmer:** Electronic Low Voltage Dimmer Required (MLV Dimmer for Remote PS300)
- Listing:** UL / CUL - Damp Location - No Feed Through
- Accessories:**
 - Light Mask Plate Gate for Non-Rectilinear Objects
 - Narrow Beam Objective Cone for One 76 FL Lens
 - Remote Transformer Power Supplies
 - Standard MR16 1.9" Dia. UV or Color Filter by Others
 - Fade In® Lens

DIAMETER OF SPOT AND FOOT CANDLES (45 MR16 IR)

Distance to Object		1'		2'		3'		4'		5'		6'		7'		8'		9'		10'		Spread
Application	76 FL Objective Lens Quantity	Size of Spot	Foot Cand.	Size of Spot	Foot Cand.	Size of Spot	Foot Cand.	Size of Spot	Foot Cand.	Size of Spot	Foot Cand.	Size of Spot	Foot Cand.	Size of Spot	Foot Cand.	Size of Spot	Foot Cand.	Size of Spot	Foot Cand.	Size of Spot	Foot Cand.	Near Uniform Area
Narrow Beam	1	3"	2,300	6"	730	9"	360	13"	205	16"	130	19"	90	22"	65	26"	50	29"	38	32"	33	16°
Medium Beam	2	7"	1,500	15"	490	22"	220	30"	125	38"	73	45"	53	53"	37	61"	29	69"	21	76"	19	36°
Wide Beam	3	9"	630	19"	260	30"	105	40"	58	50"	37	60"	24	70"	19	80"	15	90"	12	100"	10	46°
Very Wide Beam	4	13"	60	27"	195	41"	73	54"	43	69"	26	82"	18	95"	14	109"	11	123"	9	137"	7	60°

Wenlux™ Model 928B

DIMENSIONS



928B - BEAM MOUNT

928B - BEAM MOUNT

Remote Transformer Power Supplies

PS60 - 120V Input/ 11.7V Output
Electronic Low Voltage Power Supply
For One Beam Mount Luminaire
6 1/2" L x 1 11/16" W x 1 7/16" D
(Note: 6' max wire length)

PS300 - 120V Input/ 12 Volt Output
Magnetic Low Voltage Power Supply
For Five Beam Mount Luminaire/ Dead End Feeds
6 3/4" L x 5" W x 4 3/4" D

The name **Wendelighting** is registered to Jacksen International LTD. The name encompasses **Wendel®** optical projectors as well as other types of **Wendel** light fixtures.



WENDELIGHTING®

DIVISION OF JACKSEN INTERNATIONAL LTD