

WENDELIGHTING®

DIVISION OF JACKSEN INTERNATIONAL LTD

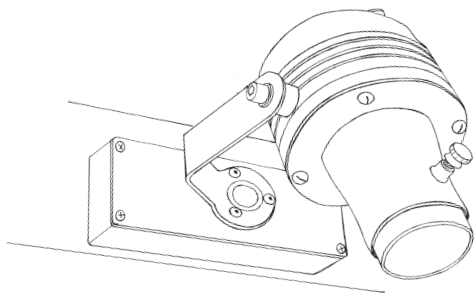
Wenlux™ Model 717B
Beam Mount
Accent Light

The Wendel® Wenlux Model 717 Beam Mount Accent provides the designer with a surface mounted luminaire for highlighting fine art and furniture that can be installed and adjusted with ease. Final adjustment light control is far beyond what the MR16 light source can achieve on its own.

Wenlux 717 accepts a wide range of energy efficient MR16 IR lamps with beam spreads that are further altered by a series of light control accessories. Lenses are positioned within a rotational lens holder cone with virtually no limit to the quantity of accessory lenses. Our unique Fade In® 0° Softening Lens is optional, and a Narrow Beam Holder Cone is available to choke stray light for an incredibly tight illumination.

Wenlux includes a sturdy fastening design and convection cooling system that allows for air intake and escape, cooling the lamp and lamp holder chamber for optimal performance. The back box can be fastened to the side of an exposed beam, or directly to a wood or concrete ceiling, and includes an integral transformer. For a back box without a transformer, specify remote transformer "RT". Both back boxes accept single dead end Class 1 Wiring.

Wendelighting reserves the right to change without notice - design, finish, material.



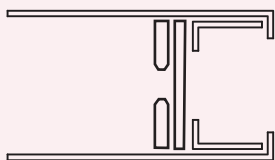
Model 717B

STANDARD SPECIFICATIONS

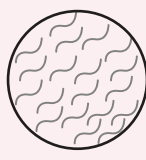
Applications:	Accent Illumination
Power:	120 Volt
Transformer:	Electronic Low Voltage 120 VAC Input - 11.5 VC Output
Lamp:	Phillips IR - Sylvania IR - Ushio (50MR16 IR MAX)
Lens:	14° Softening Lens
Housing:	Aluminum & Stainless
Specify Color:	Nat Aluminum (AL), AL/Black, AL/White (White will Discolor)
Mounting:	Beam, Ceiling, or Wall Mount
Relamping:	Does Not Change Focus
Weight:	2.5 lbs
Dimmer:	Electronic Low Voltage Dimmer Required (MLV Dimmer for Remote PS300)
Listing:	UL / CUL - Damp Location - No Feed Through
Accessories:	- See Light Control Accessories Below - Remote Transformer Power Supplies - Standard MR16 1.9" Dia. UV or Color Filter by Others - Fade In® Lens

LIGHT CONTROL ACCESSORIES

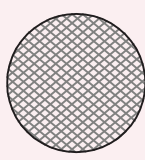
Degrees shown are approximate based on a 10° NSP lamp. Results may vary substantially using wider beam spread lamps.



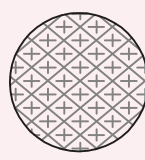
4° Reducing Choke
Narrow Beam Holder Cone



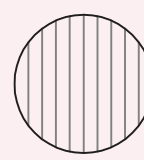
Fade In
0°
Softening Lens



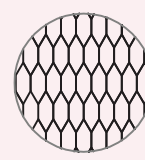
Standard
14°
Softening Lens



28°
Softening Lens



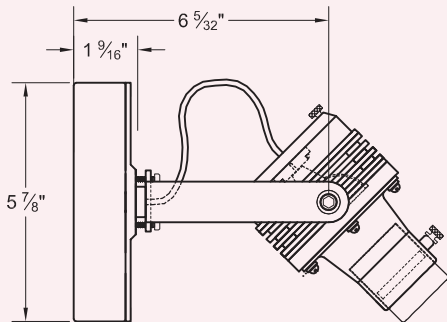
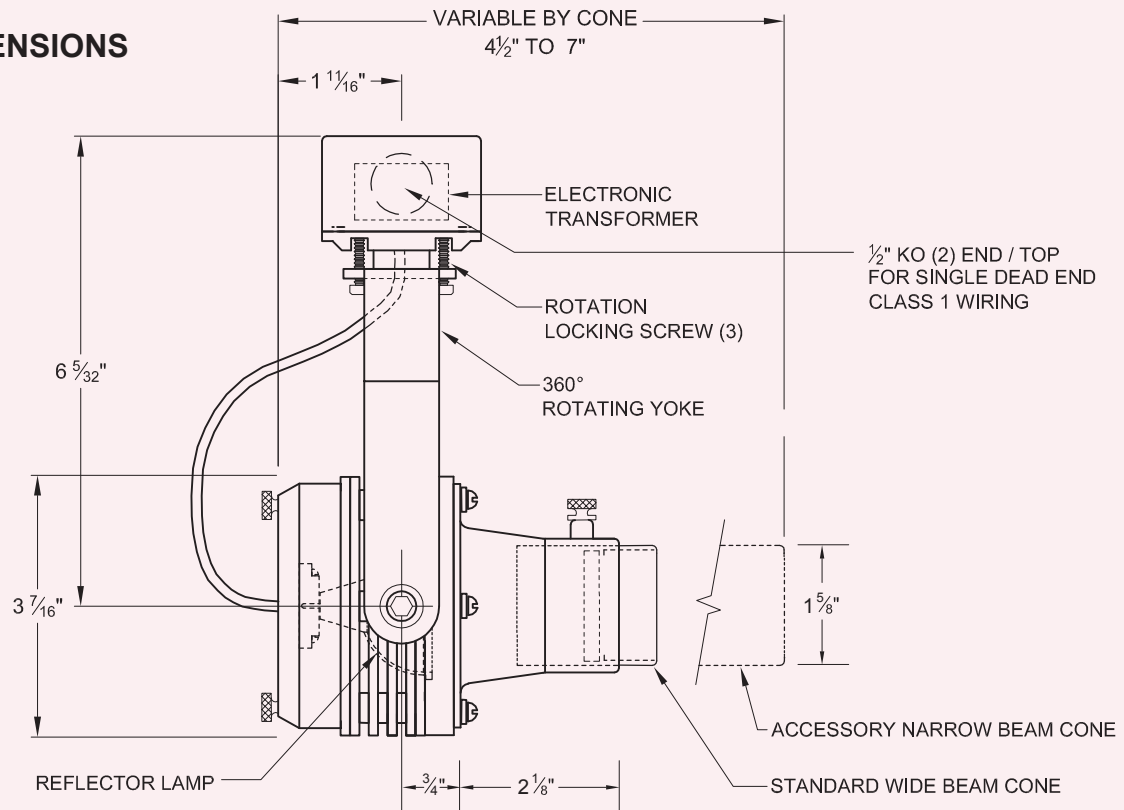
0° x 48°
Rectilinear Lens



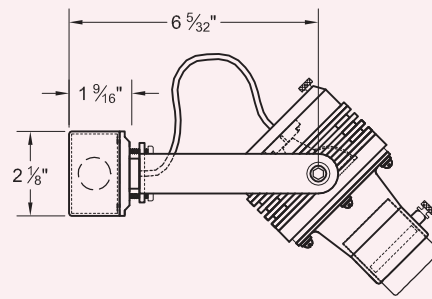
Hexcel Louver
Black

Wenlux™ Model 717B

DIMENSIONS



717B - BEAM MOUNT



717B - BEAM MOUNT

Remote Transformer Power Supplies

PS60 - 120V Input/ 11.7V Output
Electronic Low Voltage Power Supply
For One Beam Mount Luminaire
6 1/2" L x 1 11/16" W x 1 7/16" D
(Note: 6' Max Wire Length)

PS300 - 120V Input/ 12 Volt Output
Magnetic Low Voltage Power Supply
For Five Beam Mount Luminaire/ Dead End Feeds
6 3/4" L x 5" W x 4 3/4" D

The name Wendelighting is registered to Jacksen International LTD. The name encompasses Wendel® optical projectors as well as other types of Wendel light fixtures.



WENDELIGHTING®

DIVISION OF JACKSEN INTERNATIONAL LTD