

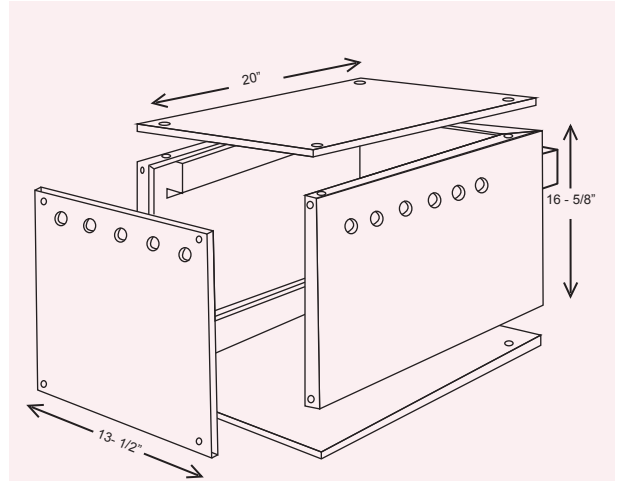
The housing includes a metal halide ballast and provides top access to the Wendel® projector for installation, relamping and focusing. Servicing from above is required. The bottom of the housing is installed above the ceiling. Each housing comes prewired with a large, accessible junction box. Each complies with Underwriters Laboratory requirements for Non-IC installations.

The Wendel projector is sold separately. The projector's objective cone extends through the ceiling and plaster is applied up to it. The objective cone is field painted to match the ceiling for a near hidden light source.

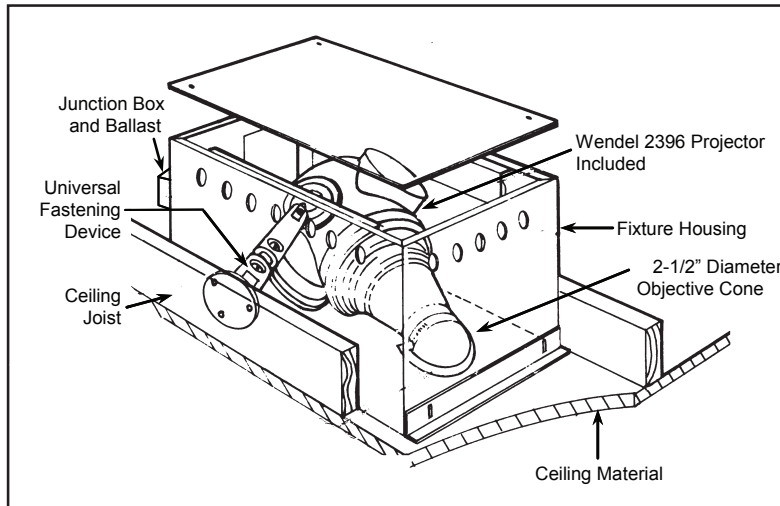
Wendel housings are supplied with mounting hanger brackets.

How to Specify

Wendelighting shall specify housing locations. Provide Wendelighting with a to scale Reflected Ceiling Plan and Interior Elevation including art and/or maximum art size or complete a Projector Worksheet found at www.wendelighting.com. Staff members are also available for jobsite consultation on a fee basis.



2396MH Housing (CDM 150 Watt Metal Halide)
13 1/2" Wide X 16 5/8" Tall X 20" Long
(Length excluding attached J-Box and Ballast)



SPECIFICATIONS:

Applications:	Plaster Ceilings (Contact Factory for Other types)
Power:	120 VAC Input
Ballast:	Electronic
Lamping:	150 Watt CDM
Weight:	28 lbs.
Housing:	Die Formed Galvanized Sheet Metal
Mounting:	Hanger Brackets Rigid to Construction
Relamping:	Top Access Panel
Listings:	UL Dry Location - Thermally Protected Non IC / Not Air Tight

Approximate Location for the Wendel Projector Housing.

In order to specify the approximate location for a Wendel projector housing, determine the position of the object to be illuminated and see the following formula:

$$P = W + 1/3A + 2"$$

P = Distance of Wendel projector to wall

W = Distance from top of art to ceiling

A = Height of art

CL Housing = P + 3" (additional 3")

Forward information to Wendelighting to verify location

