

# WENDELIGHTING®

DIVISION OF JACKSEN INTERNATIONAL LTD

Model 2396  
Metal Halide  
Recessed Optical Projector

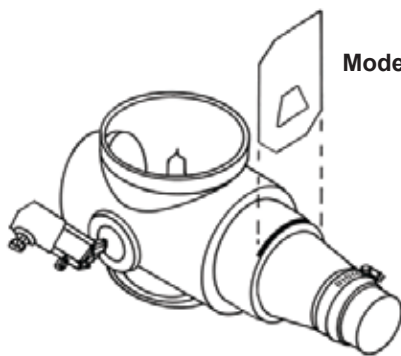
Wendelighting optical projectors offer the architect, lighting engineer and interior designer the ultimate in controlled illumination for interior settings.

The Wendel® projector combines a metal halide light source with our optical system of precision ground lenses, reflector, and a unique light masking technique for high performance accent lighting. In addition to three condensing lenses, the projectors are factory assembled with a custom combination of objective lenses to meet the beam spread requirement. The result is a highly intensified light that is artistically confined to the exact area of interest regardless of shape.

Typical applications include: large paintings, sculpture, antiques, religious articles, trophies, furniture and various other architectural focal points. Frequently one projector is used to provide separate light maskings for multiple objects.

## Consultations

Jacksen International Ltd. manufactures and offers optional installation for the equipment described in this bulletin. In addition, staff members are available for consultation. For further information, please write or call.



Model 2396

## SPECIFICATIONS

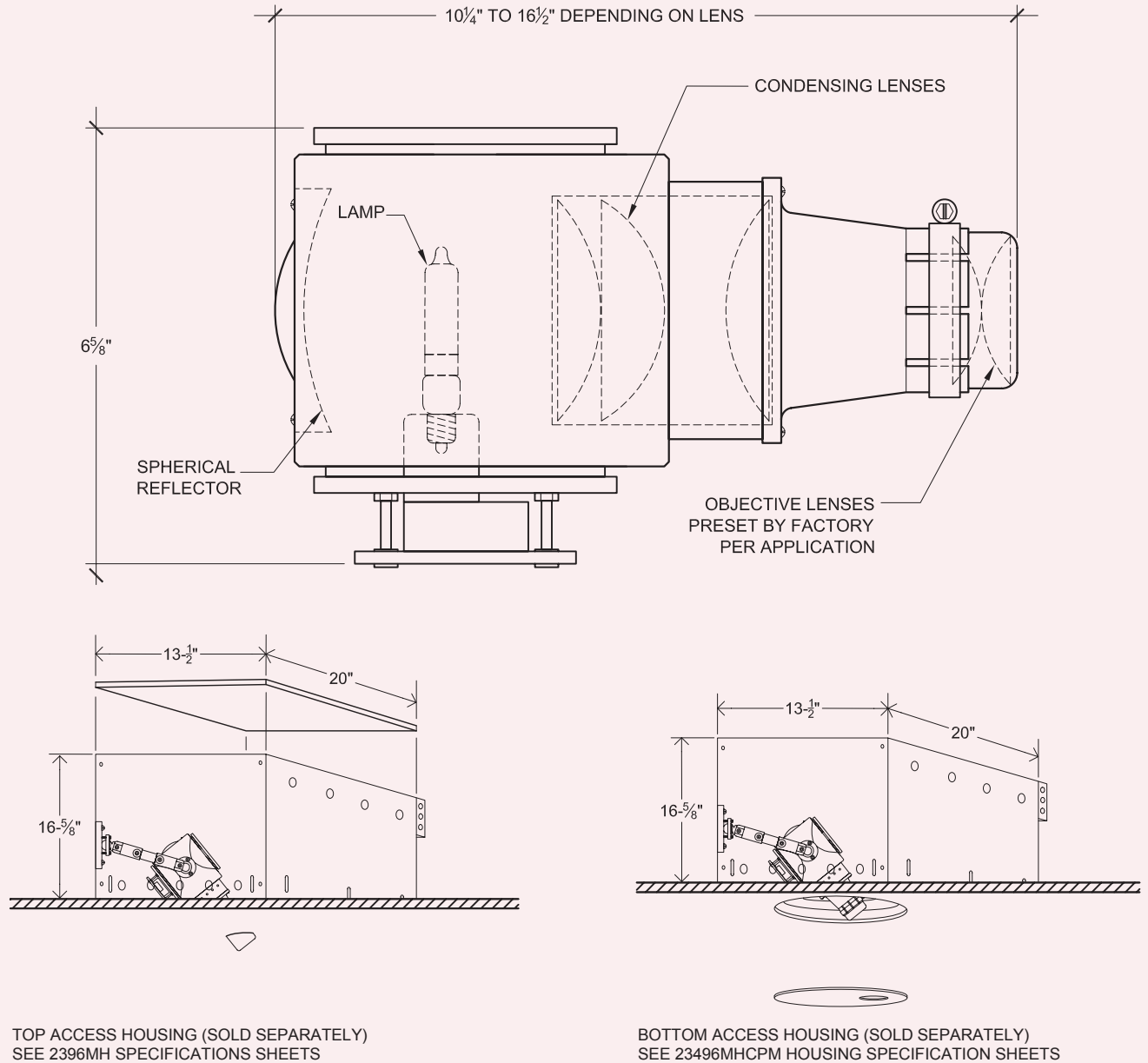
<b>Applications:</b>	Large focal points, paintings, sculpture and tables
<b>Power:</b>	120 VAC
<b>Lamp:</b>	Philips CDM150/T6/830 (12,000 hr. life)
<b>Weight:</b>	9 lbs.
<b>Objective Lenses:</b>	Preset by Factory
<b>Condensing Lens:</b>	3
<b>Spherical Reflector:</b>	1
<b>Construction:</b>	Cast Aluminum
<b>Relamping:</b>	Does not change focus
<b>Listings:</b>	UL – Dry Location – Non IC – Not Air Tight
<b>Accessory:</b>	FADE IN® Optics For A loosely Conforming Border

## DIAMETER OF SPOT AND FOOT CANDLES (150 WATT METAL HALIDE)

Application	Objective Lens FL	Max CP	Size of Spot	Foot Cand.	Size of Spot	Foot Cand.	Size of Spot	Foot Cand.	Size of Spot	Foot Cand.	Size of Spot	Foot Cand.	Size of Spot	Foot Cand.	Size of Spot	Foot Cand.	Size of Spot	Foot Cand.	Size of Spot	Foot Cand.	Size of Spot	Foot Cand.	Size of Spot	Foot Cand.	Spread of Beam
Narrow Beam	192	7919	.5"	1980	.75"	880	1.0"	495	1.2"	317	1.5"	220	1.7"	162	2.0	124	2.2"	98	2.5"	79	3.7"	33	6.2"	13	14°
	150	6012	.8"	1503	1.2"	668	1.6"	376	2.0"	240	2.4"	167	2.9"	123	3.3"	94	3.7"	74	4.1"	60	6.1"	27	10"	9.6	23°
Wide Beam	96	2572	1.5"	643	2.2"	286	3.0"	161	3.8"	103	4.5"	71	5.3"	52	6"	40	6.8"	32	7.5"	26	11"	11	19"	4.1	41°
	48	712	2.7"	178	4.1"	79	5.6"	45	7.0"	28	8.4"	20	9.8"	15	11"	11	13"	9	14"	7	21"	3.2	35"	1.1	69°

# Model 2396

## DIMENSIONS



## HOW TO SPECIFY

The name Wendelighting is registered to Jacksen International Ltd., Monrovia, California. The name encompasses Wendel® optical projectors as well as

other types of Wendel lighting fixtures for both interior and exterior use. To specify, please visit [www.wendelighting.com](http://www.wendelighting.com) or contact our staff members.



# WENDELIGHTING®

DIVISION OF JACKSEN INTERNATIONAL LTD