

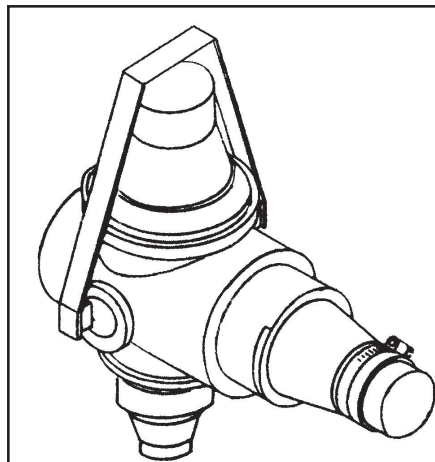
Wendelighting optical projectors offer the architect, lighting engineer and interior designer the ultimate in controlled illumination for interior settings.

The Wendel® projector combines an optical system of precision ground lenses, reflector and a unique light masking technique. The result is a highly intensified light that is artistically confined to the exact area of interest regardless of shape.

Wendelighting's Model 2350 lighting system provides the specifier an alternative to our recessed attic installed optical projector. The surface mounted projectors include a sturdy fastening design to provide support to both sides of the projector keeping it securely positioned. Surface mounting options are: Y yoke with 5" diameter canopy or beam mount using mounting devices on both sides of the projector to exposed beams or concrete ceilings.

Consultations

Jacksen International Ltd. manufactures and offers optional installation for the equipment described in this bulletin. In addition, staff members are available for consultation. For further information, please write or call.



SPECIFICATIONS

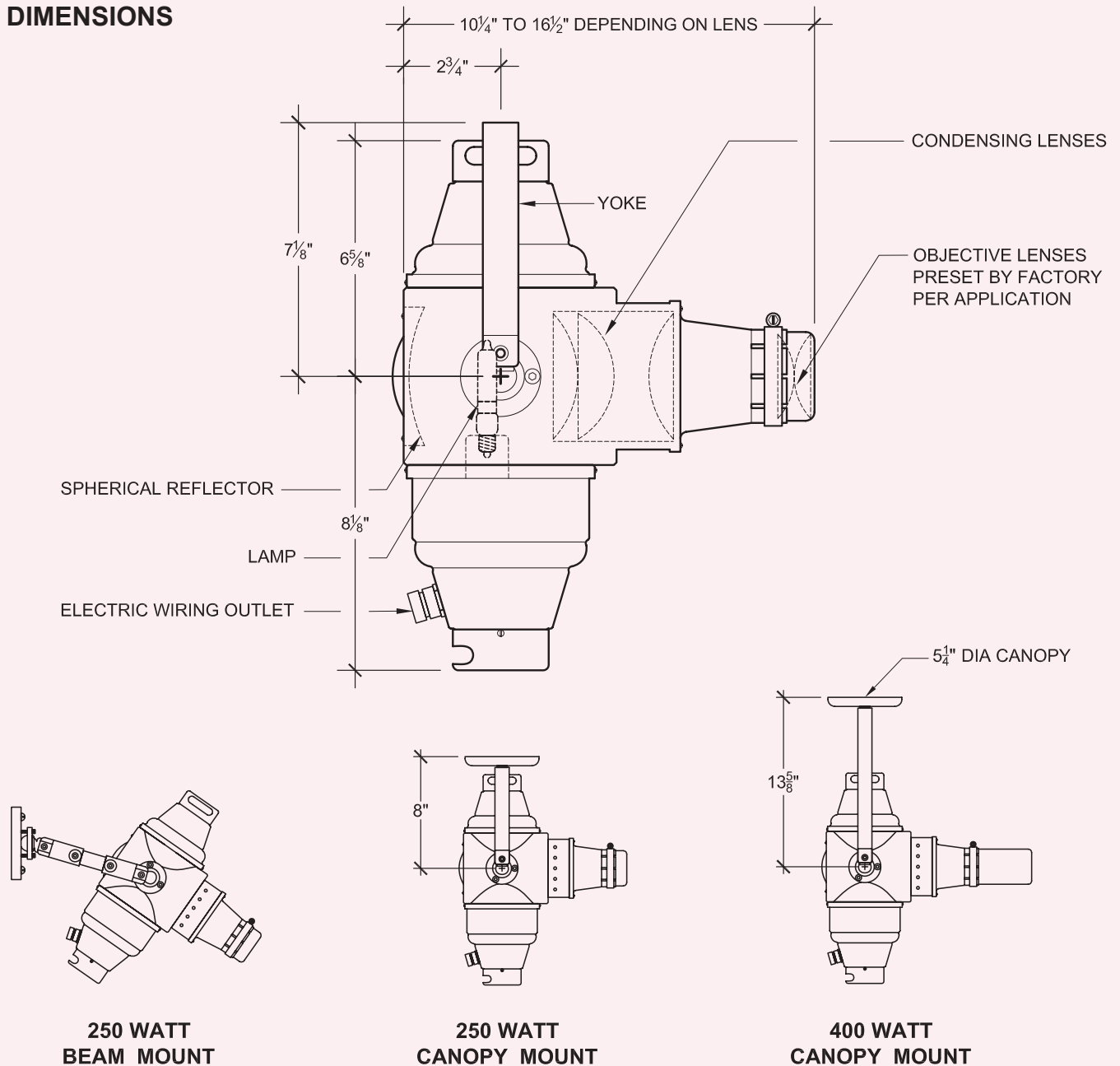
- Applications:** Large focal points, painting, sculpture, corporate logos, gobo patterns and tables
- Power:** 120 VAC
- Lamp:** Specify Quartz 250 or 400 Watt Q/CL mini-can screw base 2000 hr. life
- Weight:** 9 lbs.
- Objective Lenses:** Preset by Factory
- Condensing Lens:** 3
- Spherical Reflector:** 1
- Housing:** Cast Aluminum
- Colors:** Black or White (White will discolor, other colors by request)
- Mounting:** Yoke with round canopy or beam mount
- Relamping:** Does not change focus
- Listing:** UL (Dry Location)
- Accessory:** FADE IN® Optics For A loosely Conforming Border

DIAMETER OF SPOT AND FOOT CANDLES (400 WATT)

Distance to Object		1'		2'		3'		4'		5'		6'		7'		8'		9'		10'		15'		25'		50'		Spread of Beam
Application	Objective Lens FL	Size of Spot	Foot Cand.	Size of Spot	Foot Cand.	Size of Spot	Foot Cand.	Size of Spot	Foot Cand.	Size of Spot	Foot Cand.	Size of Spot	Foot Cand.	Size of Spot	Foot Cand.	Size of Spot	Foot Cand.	Size of Spot	Foot Cand.	Size of Spot	Foot Cand.	Size of Spot	Foot Cand.	Size of Spot	Foot Cand.	Size of Spot	Foot Cand.	
Narrow Beam	230	3"	5500	6"	1400	9"	650	12"	350	15"	240	18"	160	21"	120	24"	90	27"	72	30"	58	45"	26	75"	10	150"	-	14°
	192	4"	4500	8"	1100	12"	500	16"	280	20"	180	24"	125	28"	90	32"	70	36"	50	40"	45	60"	20	100"	7	200"	-	20°
Wide Beam	96	8"	2200	16"	550	24"	250	32"	140	40"	90	48"	60	56"	45	64"	35	72"	28	80"	22	120"	10	200"	-	400"	-	37°
	48	12"	630	24"	160	36"	70	48"	40	60"	25	72"	15	84"	12	96"	10	108"	8	120"	6	180	-	300"	-	600"	-	55°

Model 2350

DIMENSIONS



HOW TO SPECIFY

The name Wendelighting is registered to Jacksen International Ltd., Monrovia, California. The name encompasses Wendel® optical projectors as well as

other types of Wendel lighting fixtures for both interior and exterior use. To specify, please visit www.wendelighting.com or contact our staff members.



WENDELIGHTING®

DIVISION OF JACKSEN INTERNATIONAL LTD