

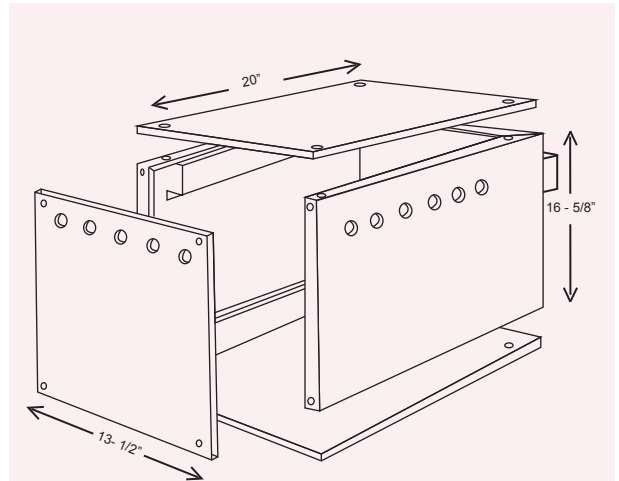
The housing provides top access to the Wendel® projector for installation, relamping and focusing. Servicing from above is required. The bottom of the housing is installed above the ceiling. Each housing comes prewired with a large, accessible junction box. Each complies with Underwriters Laboratory requirements for Non-IC installations.

The Wendel projector is sold separately. The projector's objective cone extends through the ceiling and plaster is applied up to it. The objective cone is field painted to match the ceiling for a near hidden light source.

Wendel housings are supplied with mounting hanger brackets.

How to Specify

Wendelighting shall specify housing locations. Provide Wendelighting with a to scale Reflected Ceiling Plan and Interior Elevation including art and/or maximum art size or complete a Projector Worksheet found at www.wendelighting.com. Staff members are also available for jobsite consultation on a fee basis.



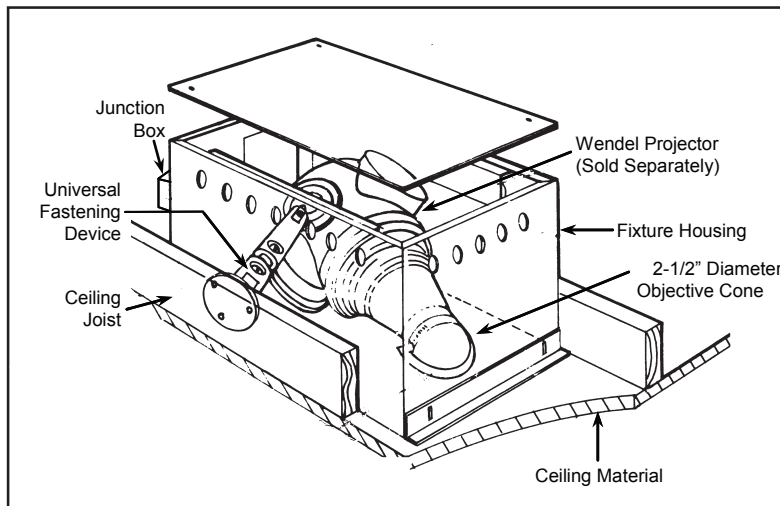
2346H4CPM Housing (400 Watt)
13 - 1/2" Wide X 16 - 5/8" Tall X 20" Long
(Length excluding attached J-Box)

400 Watt Spacing Requirements

Install with minimum spacings between:

- 1) Centers of adjacent fixtures: 4 Feet
- 2) Top of fixture and ceiling: 10 Inches
- 3) Fixture center to side wall: 2 Feet
(See 2346HCPM2 for reduced spacing)

Projector not included. Refer to Model 2346



SPECIFICATIONS:

| | |
|----------------------|---|
| Applications: | Unobtrusive Light Source Access Above Ceiling Required |
| Power: | 120 VAC |
| Lamping: | 400 Watt Maximum |
| Weight: | 24 lbs. |
| Housing: | Die Formed Galvanized Sheet Metal |
| Mounting: | Hanger Brackets Rigid to Construction |
| Relamping: | Top Access Panels |
| Listings: | UL/CUL Damp Location Thermally Protected Non IC / Not Air Tight |

Approximate Location for the Wendel Projector Housing.

In order to specify the approximate location for a Wendel projector housing, determine the position of the object to be illuminated and see the following formula:

$$P = W + 1/3A + 3"$$

P = Distance of Wendel projector to wall

W = Distance from top of art to ceiling

A = Height of art

CL Housing = P + 3" (additional 3")

Forward information to Wendelighting to verify location

