

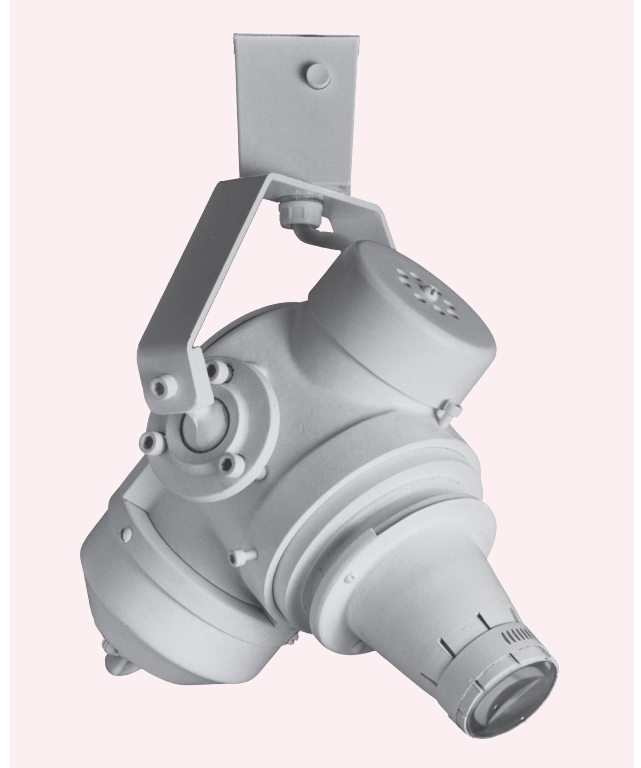
Wendelighting's Model 1180 lighting system provides the designer with an optical projector that is surface mounted to provide a controlled illumination for fine art and furniture.

The Wendel® projector combines an optical system of precision ground lenses, reflector and a unique light masking technique. The result is light confined to the exact area of interest regardless of shape.

The Wendel track and canopy lighting system includes a sturdy fastening design to provide support to both sides of the projector keeping it securely positioned. For track systems, the adaptor can be modified at the factory to fit most tracks. Please specify the track required. The beam mount system is securely positioned to the sides of exposed beams.

Consultations

Jacksen International Ltd. manufactures and offers optional installation for the equipment described in this bulletin. In addition staff members are available for consultation. For further information, please write or call.



Model 1180

SPECIFICATIONS

Applications: Small focal points, painting, sculpture, corporate logos, gobo patterns and tables

Power: 120 VAC

Lamp: Quartz 150 Watt Q/CL mini-can screw base 2000 hr. life

Weight: 4 lbs.

Objective Lenses: Preset by Factory

Condensing Lens: 3

Spherical Reflector: 1

Housing: Cast Aluminum

Colors: Black or White (White will discolor, other colors by request)

Mounting: Yoke with round canopy, track mount or beam mount

Relamping: Does not change focus

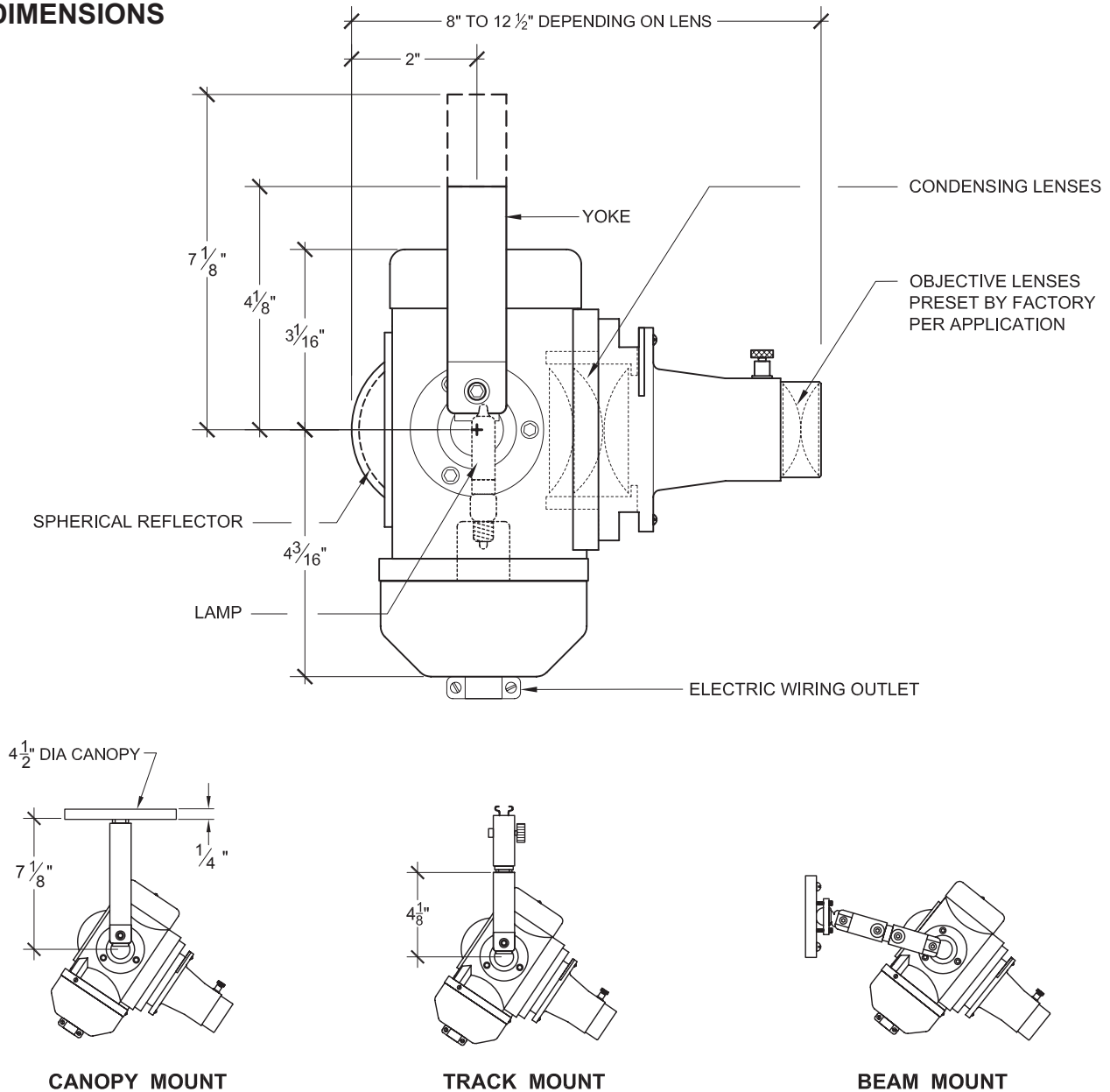
Listing: UL / CUL – Canopy & Beam Mount (Damp Lctn) / Track Mount (Dry Lctn)

Accessories
FADE IN® Optics For A loosely Conforming Border
Track Adapter (Contact Factory)

DIAMETER OF SPOT AND FOOT CANDLES																						
Distance to Object		1'		2'		3'		4'		5'		6'		7'		8'		9'		10'		Spread
Application	Objective Lens FL	Size of Spot	Foot Cand.	Size of Spot	Foot Cand.	Size of Spot	Foot Cand.	Size of Spot	Foot Cand.	Size of Spot	Foot Cand.	Size of Spot	Foot Cand.	Size of Spot	Foot Cand.	Size of Spot	Foot Cand.	Size of Spot	Foot Cand.	Size of Spot	Foot Cand.	Spread of Beam
Narrow Beam	200	5"	1900	9"	450	14"	2100	19"	110	23"	76	28"	53	33"	40	37"	30	42"	23	47"	19	15°
	150	6"	1350	13"	300	19"	150	26"	84	32"	54	39"	38	45"	28	51"	21	58"	17	64"	14	30°
Wide Beam	76	8"	450	16"	110	23"	50	31"	28	39"	18	47"	13	55"	9	62"	7	70"	6	78"	5	40°
	38	11"	300	22"	75	34"	34	45"	20	56"	12	67"	9	78"	6	90"	5	101"	4	112"	3	55°

Model 1180

DIMENSIONS



HOW TO SPECIFY

The name Wendelighting is registered to Jacksen International Ltd., Monrovia, California. The name encompasses Wendel® optical projectors as well as

other types of Wendel lighting fixtures for both interior and exterior use. To specify, please visit www.wendelighting.com or contact our staff members.



WENDELIGHTING®

DIVISION OF JACKSEN INTERNATIONAL LTD