

The housing provides bottom access to the Wendel™ projector for installation, relamping and focusing. A top access panel provides the option for servicing above ceiling. Each housing comes prewired with a large, accessible junction box. Each complies with Underwriters Laboratory requirements for Non-IC installations.

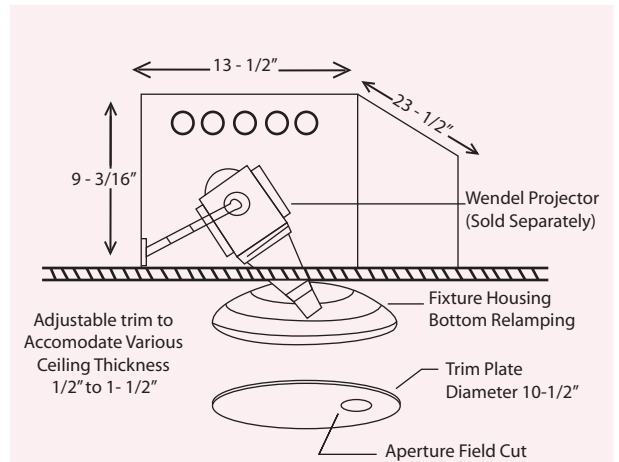
The trim plate plaster flange adjusts vertically, accommodating plaster ceiling thicknesses ranging from 1/2" to 1-1/2". The trim plate is installed flush to a plaster finish ceiling and field painted to match the ceiling finish. For overlap trim, contact Factory.

Wendel housings come with mounting hanger brackets for housing installation.

(Installation Instructions are included with each housing.)

How to Specify

Wendelighting shall specify housing locations. Provide Wendelighting with a to-scale Reflected Ceiling Plan and Interior Elevation including art and/or maximum art size, or complete the Wendel Projector Specification Worksheet which can be found at www.wendelighting.com. Staff members are also available for jobsite consultation on a fee basis.

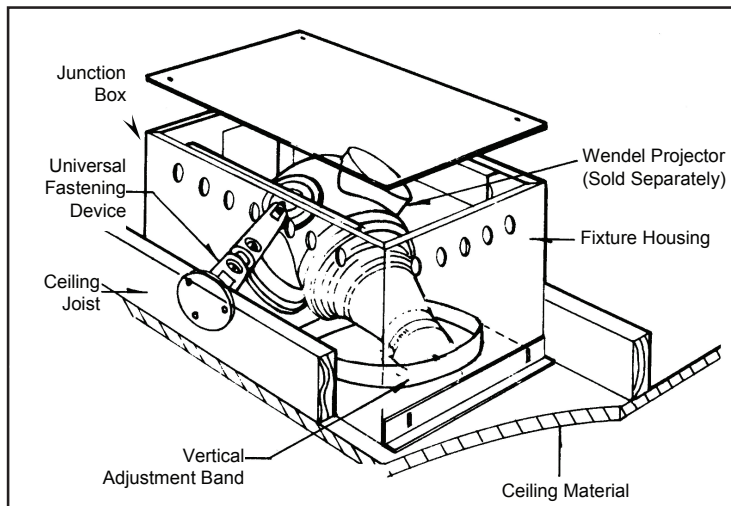


1176HCPM Housing

13.5" Wide X 9.18" Tall X 23.5" Long
(Length excluding attached J-Box)

150 Watt

Projector not included. Refer to Model 1176



SPECIFICATIONS:

Applications:	Plaster Ceilings (Contact Factory for Other Types)
Power:	120 VAC
Lamping:	150 Watt Maximum
Weight:	19 lbs.
Housing:	Die Formed Galvanized Sheet Metal
Mounting:	Hanger Brackets Rigid to Construction
Relamping:	Top Access Panel and Bottom Trim Plate
Listings:	UL/CUL Damp Location Thermally Protected Non - IC

Approximate Location for the Wendel Projector Housing.

In order to specify the approximate location for a Wendel projector housing, determine the position of the object to be illuminated and see the following formula:

$$P = W + 1/3A + 2"$$

P = Distance of Wendel projector to wall

W = Distance from top of art to ceiling

A = Height of art

CL Housing = P + 2" (additional 2")

Forward information to Wendelighting to verify location

