

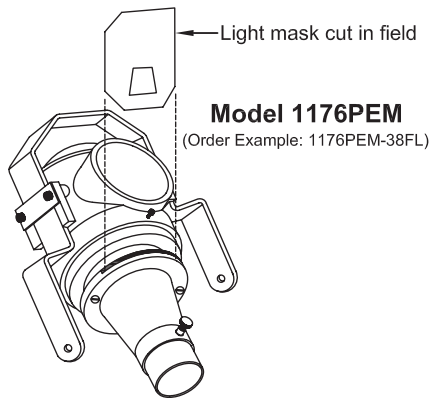
Wendelighting optical projectors offer the designer the ultimate in controlled illumination for fine art. The Wendel® projector combines an optical system of precision ground lenses, reflector and a unique light masking technique. The result is light confined to the exact area of interest regardless of its shape.

Maximum ease of installation is available using the 1176HEM housing and 1176PEM projector. The projector mounting assembly is designed with multiple movement points providing flexible projector position options locked into place.

The trim plate adjusts vertically accommodating plaster ceiling thickness' ranging from 5/8" to 1-1/4". The trim plate is installed flush to a plaster finish ceiling and field painted to match the ceiling finish. For overlap trim, contact Factory.

### Consultations

Jacksen International Ltd. manufactures and offers optional installation for the equipment described in this bulletin. In addition, staff members are available for consultation. For further information, please write or call.



### SPECIFICATIONS

- Projector Application:** Small, focal points, paintings, sculpture and tables
- Housing Application:** Plaster ceiling 5/8" to 1 1/4" thick
- Power:** 120 VAC
- Lamp:** Quartz 150 Watt Q/CL mini can screw base 2000 hr. life
- Weight:** 30 Lbs Housing & Projector
- Objective Lenses:** Preset by Factory
- Condensing Lens:** 3
- Spherical Reflector:** 1
- Projector Body:** Cast Aluminum
- Horizontal Rotation:** Full 360° +
- Vertical Tilt:** 0° - 45° Limited by objective lens & trim combination
- Recessed Housing:** Die formed galvanized sheet metal (interior finished black)
- Housing Fastener:** Hanger brackets rigid to construction
- Trim Plate:** 10 1/2" Diameter primed (field paint to match ceiling)
- Trim Retention:** Rare Earth Magnets
- Relamping:** Bottom trim plate, Top access panel option (does not change focus)
- Listing:** UL / CUL (Damp Location) – Non IC - Not Air Tight - 90°C Branch Circuit Wiring
- Accessory:** FADE IN® Optics For A loosely Conforming Border

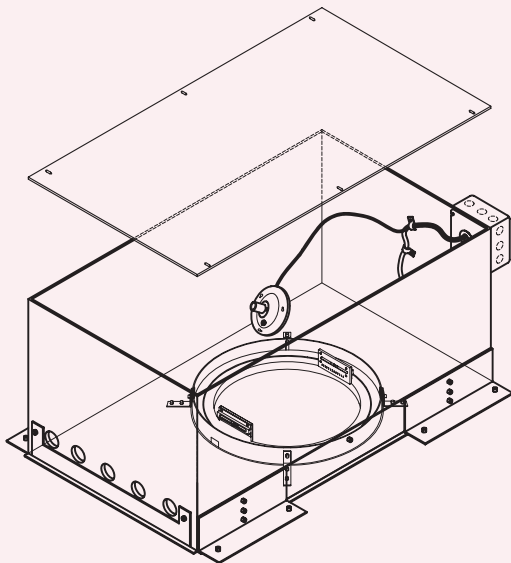
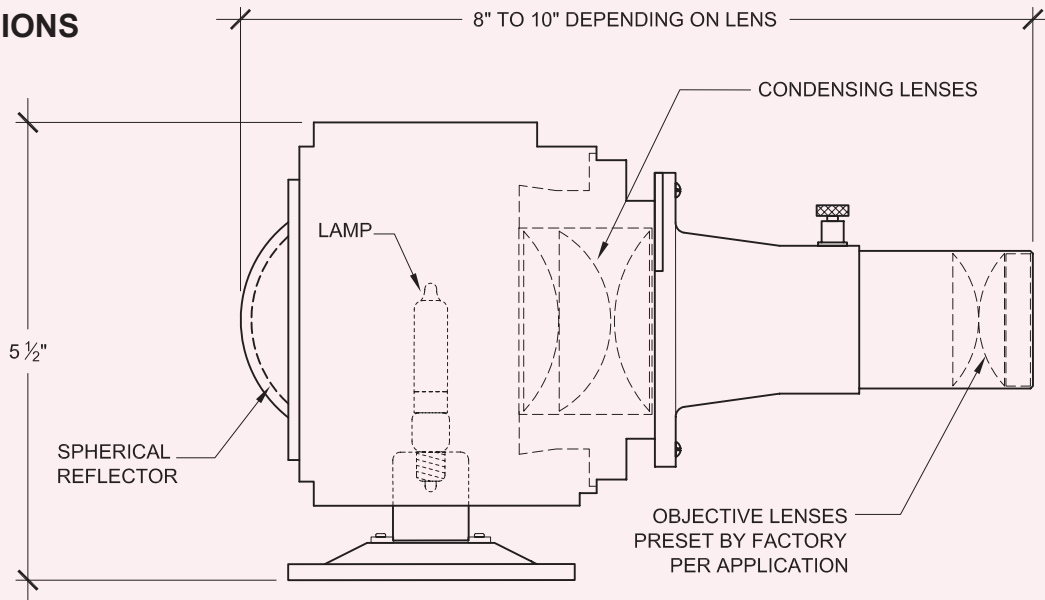
### DIAMETER OF SPOT AND FOOT CANDLES

Distance to Object				1'		2'		3'		4'		5'		6'		7'		8'		9'		10'	
Light Beam Spread	Objective Lens Cone Focal Length	Flush Trim Type	Projector Vertical Tilt Angle	Size Of Spot	Foot Cand.	Size Of Spot	Foot Cand.	Size Of Spot	Foot Cand.	Size Of Spot	Foot Cand.	Size Of Spot	Foot Cand.	Size Of Spot	Foot Cand.	Size Of Spot	Foot Cand.	Size Of Spot	Foot Cand.	Size Of Spot	Foot Cand.	Size Of Spot	Foot Cand.
Very Wide Beam 90°	38FL	WS	15° - 45°	25"	300	49"	75	74"	34	98"	20	123"	12	146"	9	172"	6	196"	5	220"	4	244"	3
Wide Beam 39°	76FL	WS WP	15° - 45° 0° - 30°	8"	450	16"	110	25"	50	33"	28	41"	18	50"	13	58"	9	66"	7	74"	6	82"	5
Medium Beam 30°	100FL	MS	20° - 45°	6"	1680	13"	310	19"	135	25"	72	32"	46	38"	29	45"	20	51"	16	57"	12	64"	10

**Notes:** Other lenses, illumination coverage, and trim combinations are available. Overlap trims available by special order.

# Model 1176EM

## DIMENSIONS

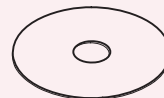


### 1176HEM - RECESSED HOUSING

**Dimensions:** 23 1/2" L x 13 1/2" W x 9 3/16" T  
not including J-box  
(Order Example: 1176HEM-WS)



**WS** Wide Beam Slot  
(Standard)  
(1-7/8" x 2-13/16" Aperture)



**WP** Wide Beam Pinhole  
(Special Order)  
(1-3/4" Aperture)



**MS** Medium Beam Slot  
(Special Order)  
(1-3/4" x 2-5/8" Aperture)

### FLUSH CEILING TRIM PLATES (Shipped with Housing)

**Diameter:** 10 1/2"

## HOW TO SPECIFY

The name Wendelighting is registered to Jacksen International Ltd., Monrovia, California. The name encompasses Wendel® optical projectors as well as

other types of Wendel lighting fixtures for both interior and exterior use. To specify, please visit [www.wendelighting.com](http://www.wendelighting.com) or contact our staff members.



# WENDELIGHTING®

DIVISION OF JACKSEN INTERNATIONAL LTD